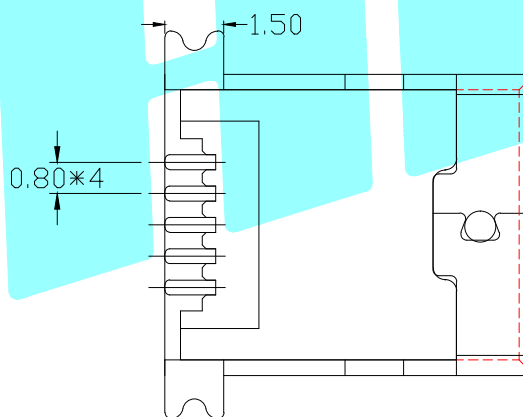
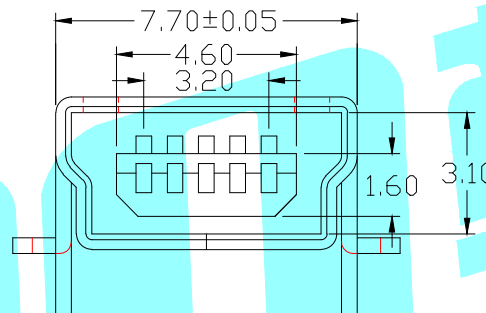
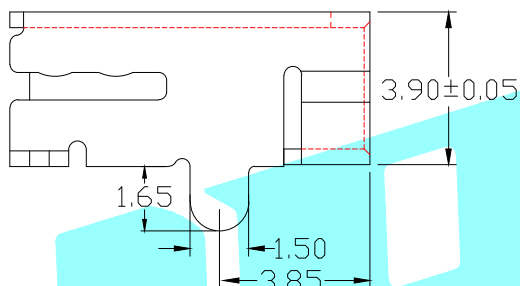
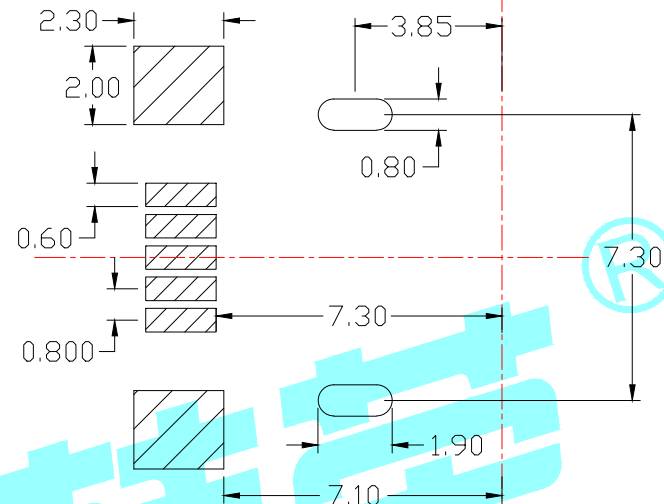
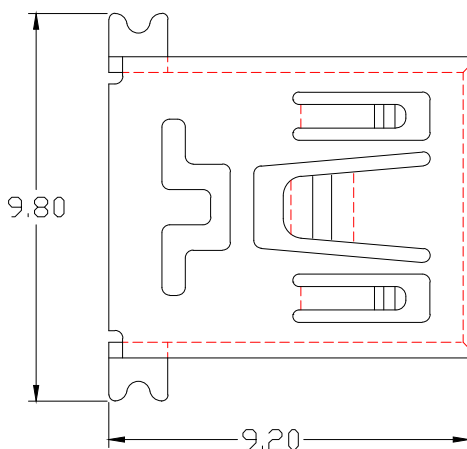


ROHS



SPECIFICATIONS

- 1.Rating : 30V 1.0A
- 2.Contact Resistance: ≤50mΩ
- 3.Insulation Resistance: ≥100mΩ DC500V
- 4.Operating Temperature Range:
25 85
- 5.Ambient Humidity Used: ≤85%RH
- 6.Life : 5,000 Cycles

③	Shell	—	1	Copper Alloy	Ni Plated	—
②	Contact	—	5	Copper Alloy	Au/Sn Plated	—
①	Housing	—	1	LCP	Black	—
ITEM	PART NAME	TER'NO.	QTY.	MATERIAL	FINISHING	REMARK

APPROVALS		DATE		 ELECTRONICS CO.,LTD		
DRAWN	LIUCAN	2021.6.8				
CHECKED				PART NO.	U-M-M5DS-W-5	
APPROVALS				UNIT: mm	SCALE: 1:1	PROJ:
TOLERANCES ARE		30~以上 ±0.30	10~30 ±0.25	ANGLE	DRAWING NO.	SHEET 1 OF 1
		5~10 ±0.20	~ 5 ±0.15	±2'		

—	A	—	NEW	—	—	—
ECN NO.	REV.	DATE.	DESCRIPTION.	CHANGE.	CHECK.	APPRO.