

Process indicator

DA5-IU-C

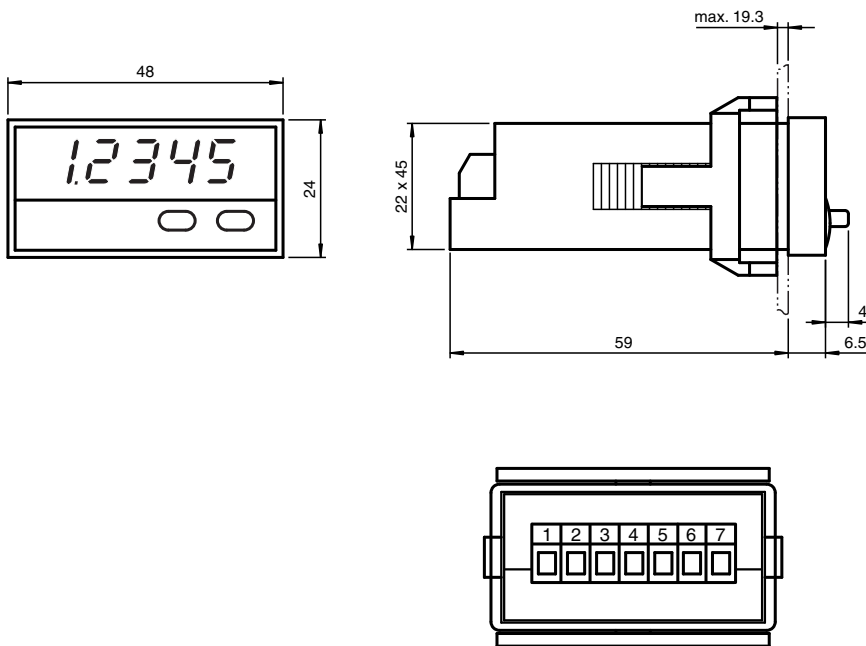


- Bright, high contrast 5-digit LED indicator
- Leading zero suppression
- Adjustable decimal point
- Maximum- and minimum-value display
- Integrated counter with specific scaling

Digital display unit



Dimensions



Technical Data

General specifications

Measuring frequency	10 measurements per second
Pre-selection	none
Data storage	10 ⁶ storage cycles or 10 years, EEPROM
Programming	keypad-driven menu

Indicators/operating means

Type	7-segment LED display, red
Number of digits	5
Display value	digit height 8 mm

Release date: 2020-03-24 Date of issue: 2020-03-26 Filename: 70103276_eng.pdf

Refer to "General Notes Relating to Pepperl+Fuchs Product Information".

Pepperl+Fuchs Group
www.pepperl-fuchs.com

USA: +1 330 486 0001
fa-info@us.pepperl-fuchs.com

Germany: +49 621 776 1111
fa-info@de.pepperl-fuchs.com

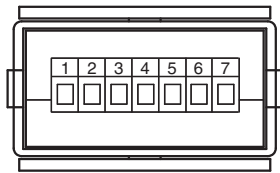
Singapore: +65 6779 9091
fa-info@sg.pepperl-fuchs.com

PEPPERL+FUCHS

Technical Data

Key interlock		-
Display interval		-19999 ... 99999
Decimal point		freely adjustable
Resolution		14 Bit
Scale factor		via linear characteristic curve
Reset		maximum value, manually
Electrical specifications		
Operating voltage	U_B	10 ... 30 V DC
Power consumption	P_0	1.5 VA
Input		
Impedance		1 MOhm
Voltage		max. 30 DC
Analog voltage input		0 ... 10 V / 2 ... 10 V DC
Analog current input		0 ... 20 mA / 4 ... 20 mA
Accuracy		< 0.1 % of the total measuring range at 20 °C
Temperature influence		< 70 ppm/K _{ambient conditions}
Ambient conditions		
Ambient temperature		-20 ... 65 °C (-4 ... 149 °F)
Storage temperature		-25 ... 70 °C (-13 ... 158 °F)
Relative humidity		≤ 80 % (noncondensing)
Mechanical specifications		
Degree of protection		IP65 (front)
Connection		7-pin screw terminal max. core cross section 0.34 ... 1.5 mm ²
Mass		approx. 50 g
Dimensions		48 mm x 24 mm x 65 mm
Mounting		latch fastener/mounting frame

Connection



Terminal No.	
1	10 ... 30 V DC
2	0 V (GND)
3	0 V LATCH
4	LATCH/RESET
5	Current input
6	0 V input signal
7	Voltage input

Additional Information

The DA5-IU-C permits a simple visual inspection by operating and maintenance personnel. It converts the analogue sensor output signal into a readable form for this purpose. Depending on the task or setting, 4 ... 20 mA or 0 ... 100 % values can be displayed.

Scope of delivery:

- Process control unit DA5-IU-C
- Screw terminal, 7-pin
- Clamp clip
- Seal
- 1 sheet of adhesive symbols