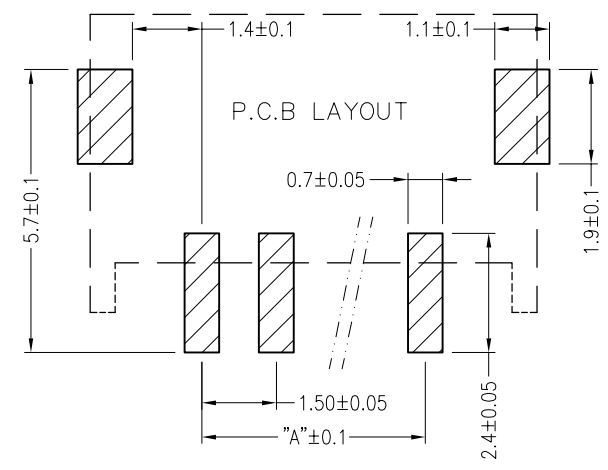
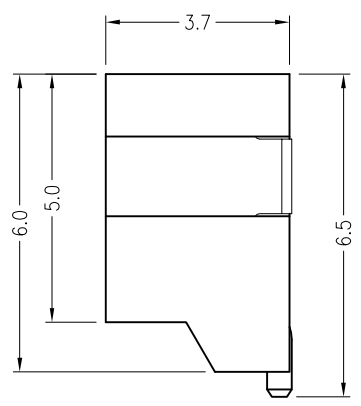
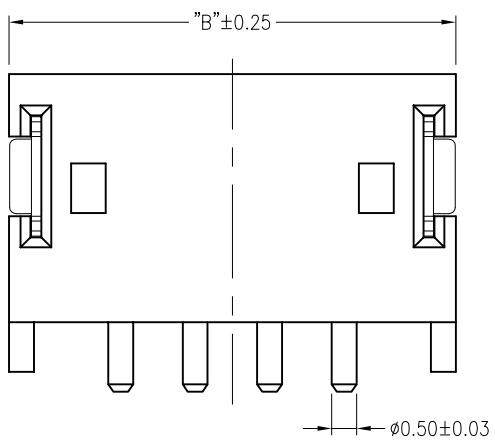
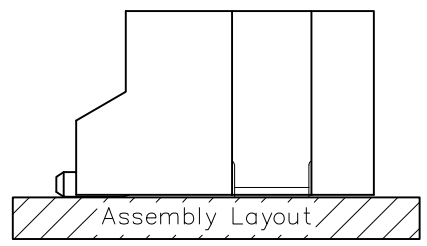
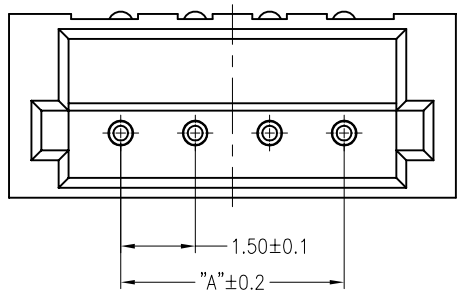


环保物料

TEL:0769-82001899

Poles	DIM. A	DIM. B
2	1.5	6.0
3	3.0	7.5
4	4.5	9.0
5	6.0	10.5
6	7.5	12.0
7	9.0	13.5
8	10.5	15.0
9	12.0	16.5
10	13.5	18.0
11	15.0	19.5
12	16.5	21.0
13	18.0	22.5
14	19.5	24.0
15	21.0	25.5
16	22.5	27.0



- 技术参数 SPECIFICATIONS
- ◆ 适用线规: AWG#32~#26
Applicable Wire: AWG#32~#26
 - ◆ 额定电压: 50V DC,AC(rms)
Rated voltage: 50V DC,AC(rms)
 - ◆ 额定电流: 1A (AWG #26)
Rated Current: 1A (AWG #26)
 - ◆ 耐压值: 500V AC/minute
Withstand voltage: 500V AC/min.
 - ◆ 工作温度: $-25^{\circ}\text{C} \sim +85^{\circ}\text{C}$
Working Temp: $-25^{\circ}\text{C} \sim +85^{\circ}\text{C}$
 - ◆ 绝缘电阻: $\geq 500 \text{ M}\Omega$
Insulation resistance: $\geq 500 \text{ M}\Omega$
 - ◆ 接触电阻: $\leq 20 \text{ m}\Omega$
Contact resistance: $\leq 20 \text{ m}\Omega$
- 材料 MATERIAL
- ◆ 绝缘体: 尼龙9T, UL94-V0
Insulator: Nylon9T, UL94-V0
 - ◆ 接触针: 黄铜
Contact PIN: Brass
 - ◆ 焊片: 磷铜
Solder tab: Phosphor bronze

				TOLERANCE UNLESS OTHERWISE		DRAWN	CK tan	XFCN兴飞连接器有限公司		SHEET	1/1	
				X.	± 0.30	X°	$\pm 5^{\circ}$	CHKD	CONNECTORS XFCN CONNECTORS CO., LTD.	DATE	2010. 4. 12	
				.X	± 0.20	.X°	$\pm 2^{\circ}$	APPD	PRODUCT NAME	UNITS	mm	
				.XX	± 0.08	.XX°	$\pm 1^{\circ}$	VIEW	1.50mm Crimp Style Connectors	SCALE	1:1	
A0	MODIFICATION	DRAW	DATE	.XXX	± 0.03	.XXX°	$\pm 0.5^{\circ}$		PART. NO.	M1510RS-XX-9T	DWG NO.	009