

Low Frequency Timing-Safe™ Peak EMI reduction IC

General Features

- Low Frequency Clock distribution with Timing-Safe™ Peak EMI Reduction
- Input frequency range: 4MHz - 20MHz
- Zero input - output propagation delay
- Low-skew outputs
 - Output-output skew less than 250pS
 - Device-device skew less than 700pS
- Less than 200pS cycle-to-cycle jitter
- Available in 16pin, 150mil SOIC, 4.4mm TSSOP (ASM3P622S00E/K), and in 8pin, 150 mil SOIC, 4.4mm TSSOP Packages (ASM3P622S00A/B/J)
- 3.3V Operation
- Industrial temperature range
- Advanced CMOS technology
- The First True Drop-in Solution

Functional Description

ASM3P622S00A/B/J/E/K is a versatile, 3.3V Zero-delay buffer designed to distribute low frequency Timing-Safe™ clocks with Peak EMI reduction. ASM3P622S00E/K accepts one reference input and drives out eight low-skew clocks. It is available in a 16pin Package. The ASM3P622S00A/B/J is the eight-pin version and accepts

one reference input and drives out one low-skew clock.

All parts have on-chip PLLs that lock to an input clock on the XIN/CLKIN pin. The PLL feedback is on-chip and is obtained from the CLKOUT pad, internal to the device.

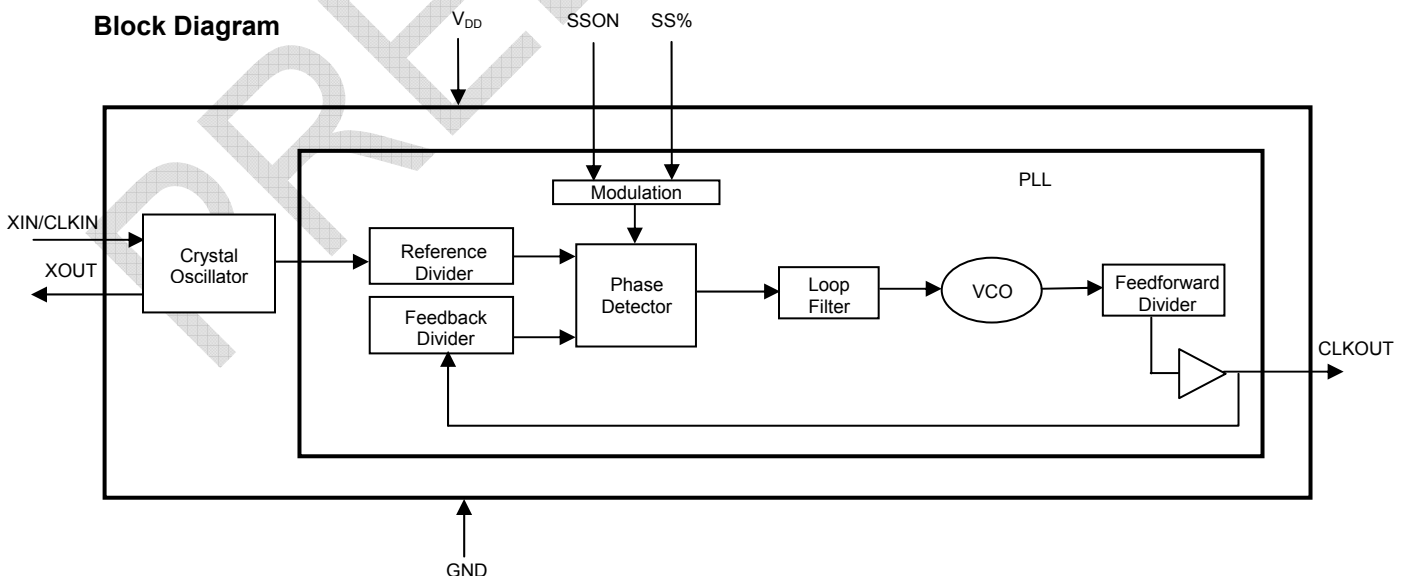
Multiple ASM3P622S00E/K devices can accept the same input clock and distribute it. In this case, the skew between the outputs of the two devices is guaranteed to be less than 700pS.

All outputs have less than 200pS of Cycle-to-cycle jitter. The input and output propagation delay is guaranteed to be less than ± 350 pS, and the output-to-output skew is guaranteed to be less than 250pS.

Refer “Spread Spectrum Control and Input-Output Skew Table” for deviations and Input-Output Skew for ASM3P622S00A/B/J and ASM3P622S00E/K devices

The ASM3P622S00A/B/J and ASM3P622S00E/K are available in two different packages, as shown in the ordering information table.

Block Diagram



Spread Spectrum Frequency Generation

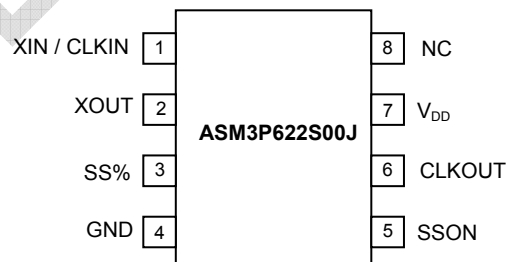
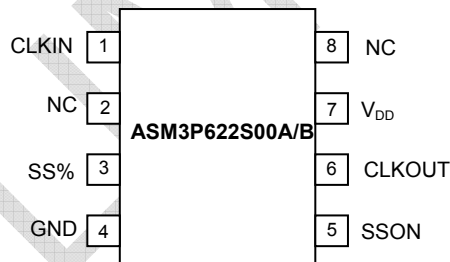
The clocks in digital systems are typically square waves with a 50% duty cycle and as frequencies increase the edge rates also get faster. Analysis shows that a square wave is composed of fundamental frequency and harmonics. The fundamental frequency and harmonics generate the energy peaks that become the source of EMI. Regulatory agencies test electronic equipment by measuring the amount of peak energy radiated from the equipment. In fact, the peak level allowed decreases as the frequency increases. The standard methods of reducing EMI are to use shielding, filtering, multi-layer

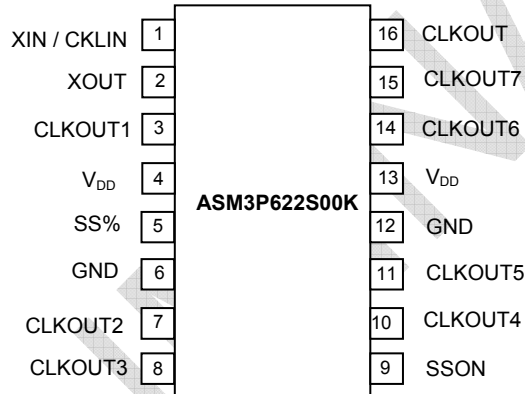
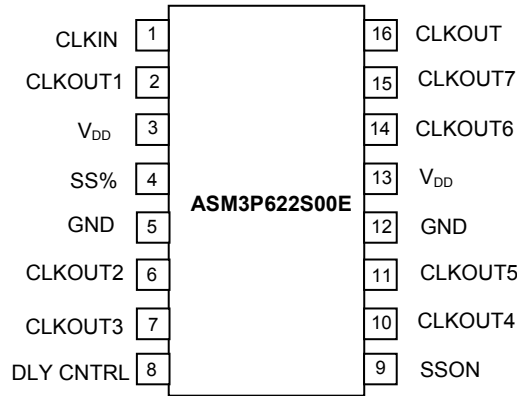
PCBs etc. These methods are expensive. Spread spectrum clocking reduces the peak energy by reducing the Q factor of the clock. This is done by slowly modulating the clock frequency. The ASM3P622S00A/B/J/E/K uses the center modulation spread spectrum technique in which the modulated output frequency varies above and below the reference frequency with a specified modulation rate. With center modulation, the average frequency is the same as the unmodulated frequency and there is no performance degradation

Timing-Safe™ technology

Timing-Safe™ technology is the ability to modulate a clock source with Spread Spectrum technology and maintain synchronization with any associated data path.

Pin Configuration





Pin Description for ASM3P622S00A/B

| Pin # | Pin Name | Description |
|-------|---------------------|---|
| 1 | CLKIN | Input reference frequency, 5V tolerant input |
| 2 | NC | No Connect |
| 3 | SS% ² | Spread Spectrum Selection |
| 4 | GND | Ground |
| 5 | SSON ² | Spread Spectrum enable and disable option When SSON is HIGH, the spread spectrum is enabled and when LOW, it turns off the spread spectrum. |
| 6 | CLKOUT ¹ | Buffered clock output |
| 7 | V _{DD} | 3.3V supply |
| 8 | NC | No Connect |

Notes: 1. Weak pull-down on all outputs
 2. Weak pull-up on these Inputs
 3. Buffered clock output is Timing-Safe™

Pin Description for ASM3P622S00J

| Pin # | Pin Name | Description |
|-------|---------------------|--|
| 1 | XIN/CLKIN | Crystal connection or external reference frequency input. This pin has dual functions. It can be connected either to an external crystal or an external reference clock. |
| 2 | XOUT | Crystal connection. If using an external reference, this pin must be left unconnected. |
| 3 | SS% ² | Spread Spectrum Selection |
| 4 | GND | Ground |
| 5 | SSON ² | Spread Spectrum enable and disable option When SSON is HIGH, the spread spectrum is enabled and when LOW, it turns off the spread spectrum. |
| 6 | CLKOUT ¹ | Buffered clock output |
| 7 | V _{DD} | 3.3V supply |
| 8 | NC | No Connect |

- Notes: 1. Weak pull-down on all outputs
2. Weak pull-up on these Inputs
3. Buffered clock output is Timing-Safe™

Pin Description for ASM3P622S00E

| Pin # | Pin Name | Description |
|-------|----------------------|--|
| 1 | CLKIN | Input reference frequency, 5V tolerant input |
| 2 | CLKOUT1 ¹ | Buffered clock output |
| 3 | V _{DD} | 3.3V supply |
| 4 | SS% ² | Spread Spectrum Selection |
| 5 | GND | Ground |
| 6 | CLKOUT2 ¹ | Buffered clock output |
| 7 | CLKOUT3 ¹ | Buffered clock output |
| 8 | DLY CNTRL | The pin is used to skew the outputs such that they align with the input. The skew is in the range of 100-200pS |
| 9 | SSON ³ | Spread Spectrum enable and disable option. When SSON is HIGH, the spread spectrum is enabled and when LOW, it turns off the spread spectrum. |
| 10 | CLKOUT4 ¹ | Buffered clock output |
| 11 | CLKOUT5 ¹ | Buffered clock output |
| 12 | GND | Ground |
| 13 | V _{DD} | 3.3V supply |
| 14 | CLKOUT6 ¹ | Buffered clock output |
| 15 | CLKOUT7 ¹ | Buffered clock output |
| 16 | CLKOUT ¹ | Buffered clock output |

- Notes: 1. Weak pull-down on all outputs
2. Weak pull-up on these Inputs
3. Buffered clock outputs are Timing-Safe™

Pin Description for ASM3P622S00K

| Pin # | Pin Name | Description |
|-------|----------------------|--|
| 1 | XIN/CLKIN | Crystal connection or external reference frequency input. This pin has dual functions. It can be connected either to an external crystal or an external reference clock. |
| 2 | XOUT | Crystal connection. If using an external reference, this pin must be left unconnected. |
| 3 | CLKOUT1 ¹ | Buffered clock output |
| 4 | V _{DD} | 3.3V supply |
| 5 | SS% ² | Spread Spectrum Selection |
| 6 | GND | Ground |
| 7 | CLKOUT2 ¹ | Buffered clock output |
| 8 | CLKOUT3 ¹ | Buffered clock output |
| 9 | SSON ² | Spread Spectrum enable and disable option. When SSON is HIGH, the spread spectrum is enabled and when LOW, it turns off the spread spectrum. |
| 10 | CLKOUT4 ¹ | Buffered clock output |
| 11 | CLKOUT5 ¹ | Buffered clock output |
| 12 | GND | Ground |
| 13 | V _{DD} | 3.3V supply |
| 14 | CLKOUT6 ¹ | Buffered clock output |
| 15 | CLKOUT7 ¹ | Buffered clock output |
| 16 | CLKOUT ¹ | Buffered clock output |

- Notes: 1. Weak pull-down on all outputs
 2. Weak pull-up on these Inputs
 3. Buffered clock outputs are Timing-Safe™

Spread Spectrum Control and Input-Output Skew Table

| Device | Input Frequency | SS % | Deviation | Input-Output Skew(±T _{SKREW}) |
|----------------------|-----------------|------|-----------|---|
| ASM3P622S00A/B/J/E/K | 12MHz | 0 | ±0.25 % | 0.063 |
| | | 1 | ±0.50 % | 0.125 |

Note: T_{SKREW} is measured in units of the Clock Period

Absolute Maximum Ratings

| Symbol | Parameter | Rating | Unit |
|------------------|---|--------------|------|
| V _{DD} | Voltage on any pin with respect to Ground | -0.5 to +4.6 | V |
| T _{STG} | Storage temperature | -65 to +125 | °C |
| T _s | Max. Soldering Temperature (10 sec) | 260 | °C |
| T _J | Junction Temperature | 150 | °C |
| T _{DV} | Static Discharge Voltage (As per JEDEC STD22- A114-B) | 2 | KV |

Note: These are stress ratings only and are not implied for functional use. Exposure to absolute maximum ratings for prolonged periods of time may affect device reliability.

Operating Conditions for ASM3P622S00A/B/J/E/K Devices

| Parameter | Description | Min | Max | Unit |
|-----------------|---|-----|-----|------|
| VDD | Supply Voltage | 3.0 | 3.6 | V |
| T _A | Operating Temperature (Ambient Temperature) | -40 | +85 | °C |
| C _L | Load Capacitance | | 30 | pF |
| C _{IN} | Input Capacitance | | 7 | pF |

Electrical Characteristics for ASM3P622S00A/B/J/E/K

| Parameter | Description | Test Conditions | Min | Typ | Max | Unit |
|-----------------|----------------------------------|------------------------|-----|-----|-----|------|
| V _{IL} | Input LOW Voltage ¹ | | | | 0.8 | V |
| V _{IH} | Input HIGH Voltage ¹ | | 2.0 | | | V |
| I _{IL} | Input LOW Current | V _{IN} = 0V | | | 50 | μA |
| I _{IH} | Input HIGH Current | V _{IN} = VDD | | | 100 | μA |
| V _{OL} | Output LOW Voltage ² | I _{OL} = 8mA | | | 0.4 | V |
| V _{OH} | Output HIGH Voltage ² | I _{OH} = -8mA | 2.4 | | | V |
| I _{DD} | Supply Current | Unloaded outputs | | 15 | | mA |
| Z _o | Output Impedance | | | 23 | | Ω |

Note: 1. CLKIN input has a threshold voltage of VDD/2
 2. Parameter is guaranteed by design and characterization. Not 100% tested in production

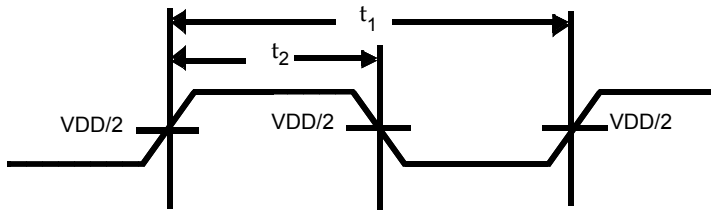
Switching Characteristics for ASM3P622S00A/B/J/E/K¹

| Parameter | Description | Test Conditions | Min | Typ | Max | Unit |
|-------------------|--|---|-----|-----|------|------|
| 1/t ₁ | Output Frequency | 30pF load | 4 | | 20 | MHz |
| | Duty Cycle ² = (t ₂ / t ₁) * 100 | Measured at VDD/2 | 40 | 50 | 60 | % |
| t ₃ | Output Rise Time ² | Measured between 0.8V and 2.0V | | | 2.5 | nS |
| t ₄ | Output Fall Time ² | Measured between 2.0V and 0.8V | | | 2.5 | nS |
| t ₅ | Output-to-output skew ² | All outputs equally loaded | | | 250 | pS |
| t ₆ | Delay, CLKIN Rising Edge to CLKOUT Rising Edge ² | Measured at VDD /2 | | | ±350 | pS |
| t ₇ | Device-to-Device Skew ² | Measured at VDD/2 on the CLKOUT pins of the device | | | 700 | pS |
| t _J | Cycle-to-cycle jitter ² | Loaded outputs | | | 200 | pS |
| t _{LOCK} | PLL Lock Time ² | Stable power supply, valid clock presented on CLKIN pin | | | 1.0 | mS |

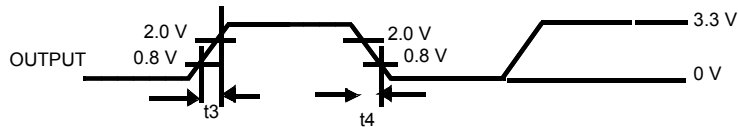
Note: 1. All parameters specified with loaded outputs.
 2. Parameter is guaranteed by design and characterization. Not 100% tested in production

Switching Waveforms

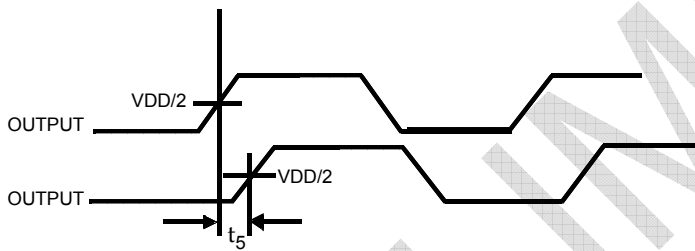
Duty Cycle Timing



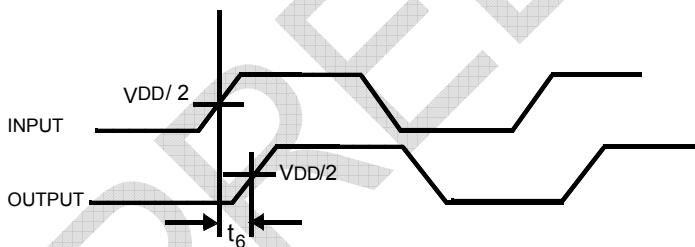
All Outputs Rise/Fall Time



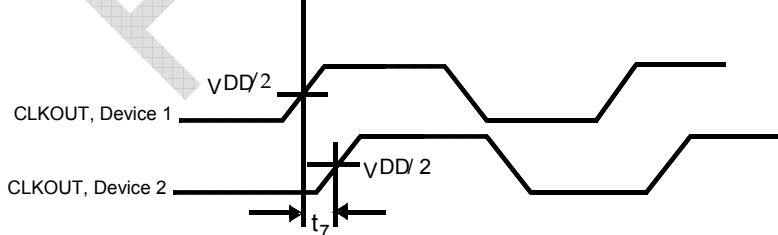
Output - Output Skew



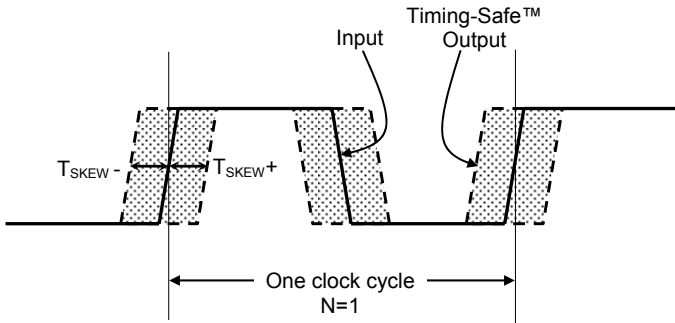
Input - Output Propagation Delay



Device - Device Skew

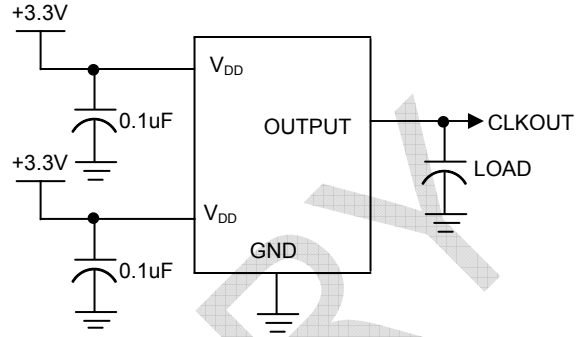


Input-Output Skew

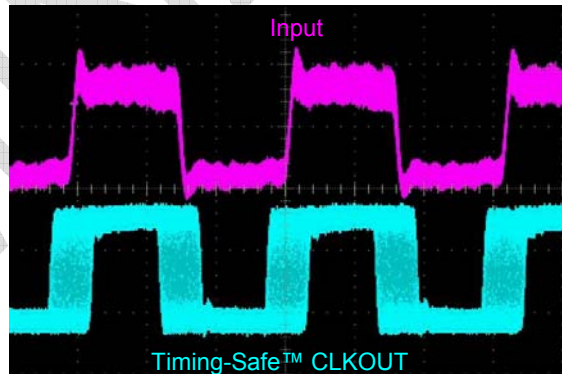


T_{SKEW} represents input-output skew when spread spectrum is ON
For example, $T_{SKEW} = \pm 0.125$ for an Input clock 12MHz, translates in to $(1/12\text{MHz}) * 0.125 = 10.41\text{nS}$

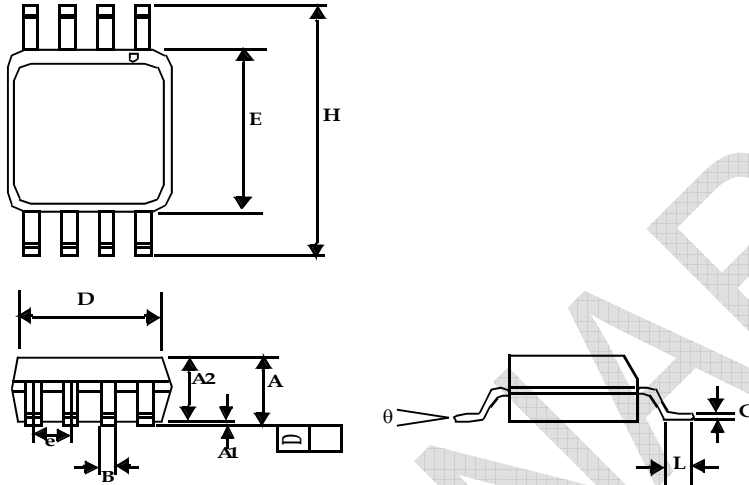
Test Circuit



A Typical example of Timing-Safe™ waveform

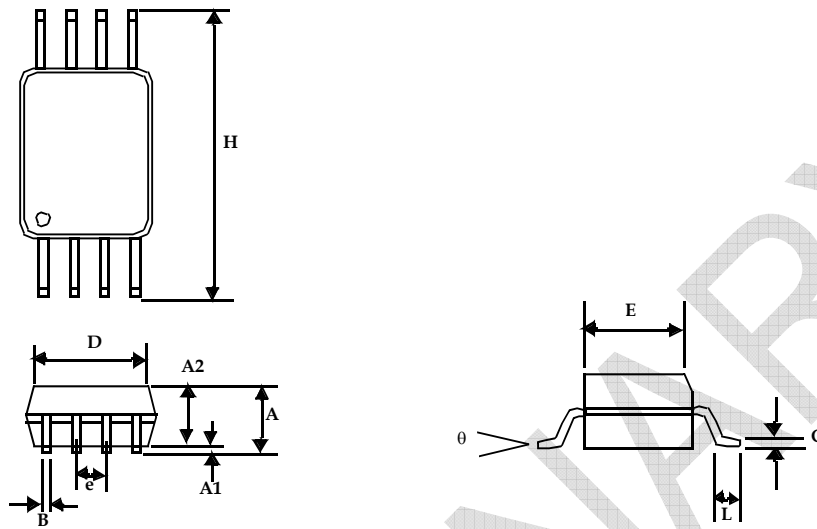


8-lead (150-mil) SOIC Package



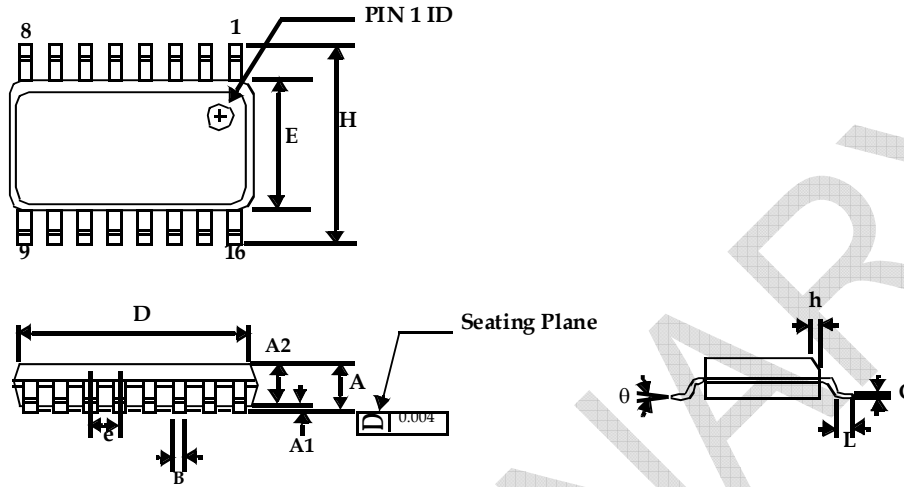
| Symbol | Dimensions | | | |
|--------|------------|-------|-------------|------|
| | Inches | | Millimeters | |
| | Min | Max | Min | Max |
| A1 | 0.004 | 0.010 | 0.10 | 0.25 |
| A | 0.053 | 0.069 | 1.35 | 1.75 |
| A2 | 0.049 | 0.059 | 1.25 | 1.50 |
| B | 0.012 | 0.020 | 0.31 | 0.51 |
| C | 0.007 | 0.010 | 0.18 | 0.25 |
| D | 0.193 BSC | | 4.90 BSC | |
| E | 0.154 BSC | | 3.91 BSC | |
| e | 0.050 BSC | | 1.27 BSC | |
| H | 0.236 BSC | | 6.00 BSC | |
| L | 0.016 | 0.050 | 0.41 | 1.27 |
| θ | 0° | 8° | 0° | 8° |

8-lead TSSOP (4.40-MM Body)



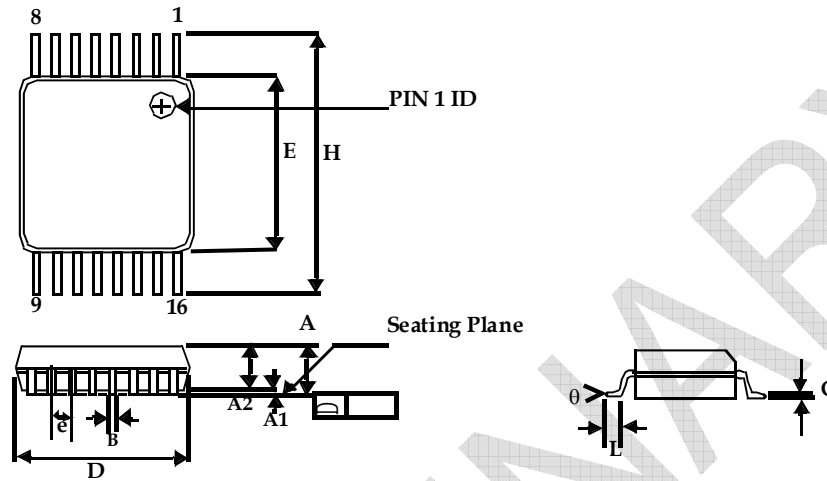
| Symbol | Dimensions | | | |
|--------|------------|-------|-------------|------|
| | Inches | | Millimeters | |
| | Min | Max | Min | Max |
| A | | 0.043 | | 1.10 |
| A1 | 0.002 | 0.006 | 0.05 | 0.15 |
| A2 | 0.033 | 0.037 | 0.85 | 0.95 |
| B | 0.008 | 0.012 | 0.19 | 0.30 |
| c | 0.004 | 0.008 | 0.09 | 0.20 |
| D | 0.114 | 0.122 | 2.90 | 3.10 |
| E | 0.169 | 0.177 | 4.30 | 4.50 |
| e | 0.026 BSC | | 0.65 BSC | |
| H | 0.252 BSC | | 6.40 BSC | |
| L | 0.020 | 0.028 | 0.50 | 0.70 |
| theta | 0° | 8° | 0° | 8° |

16-lead (150 Mil) Molded SOIC Package



| Symbol | Dimensions | | | |
|--------|------------|-------|-------------|-------|
| | Inches | | Millimeters | |
| | Min | Max | Min | Max |
| A | 0.053 | 0.069 | 1.35 | 1.75 |
| A1 | 0.004 | 0.010 | 0.10 | 0.25 |
| A2 | 0.049 | 0.059 | 1.25 | 1.50 |
| B | 0.013 | 0.022 | 0.33 | 0.53 |
| C | 0.008 | 0.012 | 0.19 | 0.27 |
| D | 0.386 | 0.394 | 9.80 | 10.01 |
| E | 0.150 | 0.157 | 3.80 | 4.00 |
| e | 0.050 BSC | | 1.27 BSC | |
| H | 0.228 | 0.244 | 5.80 | 6.20 |
| h | 0.010 | 0.016 | 0.25 | 0.41 |
| L | 0.016 | 0.035 | 0.40 | 0.89 |
| theta | 0° | 8° | 0° | 8° |

16-lead TSSOP (4.40-MM Body)



| Symbol | Dimensions | | | |
|--------|------------|-------|-------------|------|
| | Inches | | Millimeters | |
| | Min | Max | Min | Max |
| A | | 0.043 | | 1.20 |
| A1 | 0.002 | 0.006 | 0.05 | 0.15 |
| A2 | 0.031 | 0.041 | 0.80 | 1.05 |
| B | 0.007 | 0.012 | 0.19 | 0.30 |
| C | 0.004 | 0.008 | 0.09 | 0.20 |
| D | 0.193 | 0.201 | 4.90 | 5.10 |
| E | 0.169 | 0.177 | 4.30 | 4.50 |
| e | 0.026 BSC | | 0.65 BSC | |
| H | 0.252 BSC | | 6.40 BSC | |
| L | 0.020 | 0.030 | 0.50 | 0.75 |
| theta | 0° | 8° | 0° | 8° |

Ordering Codes

| Ordering Code | Marking | Package Type | Temperature |
|---------------------|------------|--|-------------|
| ASM3P622S00AF-08-ST | 3P622S00AF | 8-pin 150-mil SOIC-TUBE, Pb Free | Commercial |
| ASM3I622S00AF-08-ST | 3I622S00AF | 8-pin 150-mil SOIC-TUBE, Pb Free | Industrial |
| ASM3P622S00AF-08-SR | 3P622S00AF | 8-pin 150-mil SOIC-TAPE & REEL, Pb Free | Commercial |
| ASM3I622S00AF-08-SR | 3I622S00AF | 8-pin 150-mil SOIC-TAPE & REEL, Pb Free | Industrial |
| ASM3P622S00AF-08-TT | 3P622S00AF | 8-pin 4.4-mm TSSOP - TUBE, Pb Free | Commercial |
| ASM3I622S00AF-08-TT | 3I622S00AF | 8-pin 4.4-mm TSSOP - TUBE, Pb Free | Industrial |
| ASM3P622S00AF-08-TR | 3P622S00AF | 8-pin 4.4-mm TSSOP - TAPE & REEL, Pb Free | Commercial |
| ASM3I622S00AF-08-TR | 3I622S00AF | 8-pin 4.4-mm TSSOP - TAPE & REEL, Pb Free | Industrial |
| ASM3P622S00BF-08-ST | 3P622S00BF | 8-pin 150-mil SOIC-TUBE, Pb Free | Commercial |
| ASM3I622S00BF-08-ST | 3I622S00BF | 8-pin 150-mil SOIC-TUBE, Pb Free | Industrial |
| ASM3P622S00BF-08-SR | 3P622S00BF | 8-pin 150-mil SOIC-TAPE & REEL, Pb Free | Commercial |
| ASM3I622S00BF-08-SR | 3I622S00BF | 8-pin 150-mil SOIC-TAPE & REEL, Pb Free | Industrial |
| ASM3P622S00BF-08-TT | 3P622S00BF | 8-pin 4.4-mm TSSOP - TUBE, Pb Free | Commercial |
| ASM3I622S00BF-08-TT | 3I622S00BF | 8-pin 4.4-mm TSSOP - TUBE, Pb Free | Industrial |
| ASM3P622S00BF-08-TR | 3P622S00BF | 8-pin 4.4-mm TSSOP - TAPE & REEL, Pb Free | Commercial |
| ASM3I622S00BF-08-TR | 3I622S00BF | 8-pin 4.4-mm TSSOP - TAPE & REEL, Pb Free | Industrial |
| ASM3P622S00JF-08-ST | 3P622S00JF | 8-pin 150-mil SOIC-TUBE, Pb Free | Commercial |
| ASM3I622S00JF-08-ST | 3I622S00JF | 8-pin 150-mil SOIC-TUBE, Pb Free | Industrial |
| ASM3P622S00JF-08-SR | 3P622S00JF | 8-pin 150-mil SOIC-TAPE & REEL, Pb Free | Commercial |
| ASM3I622S00JF-08-SR | 3I622S00JF | 8-pin 150-mil SOIC-TAPE & REEL, Pb Free | Industrial |
| ASM3P622S00JF-08-TT | 3P622S00JF | 8-pin 4.4-mm TSSOP - TUBE, Pb Free | Commercial |
| ASM3I622S00JF-08-TT | 3I622S00JF | 8-pin 4.4-mm TSSOP - TUBE, Pb Free | Industrial |
| ASM3P622S00JF-08-TR | 3P622S00JF | 8-pin 4.4-mm TSSOP - TAPE & REEL, Pb Free | Commercial |
| ASM3I622S00JF-08-TR | 3I622S00JF | 8-pin 4.4-mm TSSOP - TAPE & REEL, Pb Free | Industrial |
| ASM3P622S00EF-16-ST | 3P622S00EF | 16-pin 150-mil SOIC-TUBE, Pb Free | Commercial |
| ASM3I622S00EF-16-ST | 3I622S00EF | 16-pin 150-mil SOIC-TUBE, Pb Free | Industrial |
| ASM3P622S00EF-16-SR | 3P622S00EF | 16-pin 150-mil SOIC-TAPE & REEL, Pb Free | Commercial |
| ASM3I622S00EF-16-SR | 3I622S00EF | 16-pin 150-mil SOIC-TAPE & REEL, Pb Free | Industrial |
| ASM3P622S00EF-16-TT | 3P622S00EF | 16-pin 4.4-mm TSSOP - TUBE, Pb Free | Commercial |
| ASM3I622S00EF-16-TT | 3I622S00EF | 16-pin 4.4-mm TSSOP - TUBE, Pb Free | Industrial |
| ASM3P622S00EF-16-TR | 3P622S00EF | 16-pin 4.4-mm TSSOP - TAPE & REEL, Pb Free | Commercial |
| ASM3I622S00EF-16-TR | 3I622S00EF | 16-pin 4.4-mm TSSOP - TAPE & REEL, Pb Free | Industrial |
| ASM3P622S00KF-16-ST | 3P622S00KF | 16-pin 150-mil SOIC-TUBE, Green | Commercial |



May 2007

Giving you the edge

ASM3P622S00A/B/J/E/K

rev 0.4

Ordering Codes (cont'd)

| Ordering Code | Marking | Package Type | Temperature |
|---------------------|------------|---|-------------|
| ASM3I622S00KF-16-ST | 3I622S00KF | 16-pin 150-mil SOIC-TUBE, Green | Industrial |
| ASM3P622S00KF-16-SR | 3P622S00KF | 16-pin 150-mil SOIC-TAPE & REEL, Green | Commercial |
| ASM3I622S00KF-16-SR | 3I622S00KF | 16-pin 150-mil SOIC-TAPE & REEL, Green | Industrial |
| ASM3P622S00KF-16-TT | 3P622S00KF | 16-pin 4.4-mm TSSOP - TUBE, Green | Commercial |
| ASM3I622S00KF-16-TT | 3I622S00KF | 16-pin 4.4-mm TSSOP - TUBE, Green | Industrial |
| ASM3P622S00KF-16-TR | 3P622S00KF | 16-pin 4.4-mm TSSOP - TAPE & REEL, Green | Commercial |
| ASM3I622S00KF-16-TR | 3I622S00KF | 16-pin 4.4-mm TSSOP - TAPE & REEL, Green | Industrial |
| ASM3P622S00AG-08-ST | 3P622S00AG | 8-pin 150-mil SOIC-TUBE, Pb Free | Commercial |
| ASM3I622S00AG-08-ST | 3I622S00AG | 8-pin 150-mil SOIC-TUBE, Pb Free | Industrial |
| ASM3P622S00AG-08-SR | 3P622S00AG | 8-pin 150-mil SOIC-TAPE & REEL, Pb Free | Commercial |
| ASM3I622S00AG-08-SR | 3I622S00AG | 8-pin 150-mil SOIC-TAPE & REEL, Pb Free | Industrial |
| ASM3P622S00AG-08-TT | 3P622S00AG | 8-pin 4.4-mm TSSOP - TUBE, Pb Free | Commercial |
| ASM3I622S00AG-08-TT | 3I622S00AG | 8-pin 4.4-mm TSSOP - TUBE, Pb Free | Industrial |
| ASM3P622S00AG-08-TR | 3P622S00AG | 8-pin 4.4-mm TSSOP - TAPE & REEL, Pb Free | Commercial |
| ASM3I622S00AG-08-TR | 3I622S00AG | 8-pin 4.4-mm TSSOP - TAPE & REEL, Pb Free | Industrial |
| ASM3P622S00BG-08-ST | 3P622S00BG | 8-pin 150-mil SOIC-TUBE, Pb Free | Commercial |
| ASM3I622S00BG-08-ST | 3I622S00BG | 8-pin 150-mil SOIC-TUBE, Pb Free | Industrial |
| ASM3P622S00BG-08-SR | 3P622S00BG | 8-pin 150-mil SOIC-TAPE & REEL, Pb Free | Commercial |
| ASM3I622S00BG-08-SR | 3I622S00BG | 8-pin 150-mil SOIC-TAPE & REEL, Pb Free | Industrial |
| ASM3P622S00BG-08-TT | 3P622S00BG | 8-pin 4.4-mm TSSOP - TUBE, Pb Free | Commercial |
| ASM3I622S00BG-08-TT | 3I622S00BG | 8-pin 4.4-mm TSSOP - TUBE, Pb Free | Industrial |
| ASM3P622S00BG-08-TR | 3P622S00BG | 8-pin 4.4-mm TSSOP - TAPE & REEL, Pb Free | Commercial |
| ASM3I622S00BG-08-TR | 3I622S00BG | 8-pin 4.4-mm TSSOP - TAPE & REEL, Pb Free | Industrial |
| ASM3P622S00JG-08-ST | 3P622S00JG | 8-pin 150-mil SOIC-TUBE, Pb Free | Commercial |
| ASM3I622S00JG-08-ST | 3I622S00JG | 8-pin 150-mil SOIC-TUBE, Pb Free | Industrial |
| ASM3P622S00JG-08-SR | 3P622S00JG | 8-pin 150-mil SOIC-TAPE & REEL, Pb Free | Commercial |
| ASM3I622S00JG-08-SR | 3I622S00JG | 8-pin 150-mil SOIC-TAPE & REEL, Pb Free | Industrial |
| ASM3P622S00JG-08-TT | 3P622S00JG | 8-pin 4.4-mm TSSOP - TUBE, Pb Free | Commercial |
| ASM3I622S00JG-08-TT | 3I622S00JG | 8-pin 4.4-mm TSSOP - TUBE, Pb Free | Industrial |
| ASM3P622S00JG-08-TR | 3P622S00JG | 8-pin 4.4-mm TSSOP - TAPE & REEL, Pb Free | Commercial |
| ASM3I622S00JG-08-TR | 3I622S00JG | 8-pin 4.4-mm TSSOP - TAPE & REEL, Pb Free | Industrial |
| ASM3P622S00EG-16-ST | 3P622S00EG | 16-pin 150-mil SOIC-TUBE, Green | Commercial |
| ASM3I622S00EG-16-ST | 3I622S00EG | 16-pin 150-mil SOIC-TUBE, Green | Industrial |
| ASM3P622S00EG-16-SR | 3P622S00EG | 16-pin 150-mil SOIC-TAPE & REEL, Green | Commercial |

May 2007

rev 0.4

Ordering Codes (cont'd)

| Ordering Code | Marking | Package Type | Temperature |
|---------------------|------------|--|-------------|
| ASM3I622S00EG-16-SR | 3I622S00EG | 16-pin 150-mil SOIC-TAPE & REEL, Green | Industrial |
| ASM3P622S00EG-16-TT | 3P622S00EG | 16-pin 4.4-mm TSSOP - TUBE, Green | Commercial |
| ASM3I622S00EG-16-TT | 3I622S00EG | 16-pin 4.4-mm TSSOP - TUBE, Green | Industrial |
| ASM3P622S00EG-16-TR | 3P622S00EG | 16-pin 4.4-mm TSSOP - TAPE & REEL, Green | Commercial |
| ASM3I622S00EG-16-TR | 3I622S00EG | 16-pin 4.4-mm TSSOP - TAPE & REEL, Green | Industrial |
| ASM3P622S00KG-16-ST | 3P622S00KG | 16-pin 150-mil SOIC-TUBE, Green | Commercial |
| ASM3I622S00KG-16-ST | 3I622S00KG | 16-pin 150-mil SOIC-TUBE, Green | Industrial |
| ASM3P622S00KG-16-SR | 3P622S00KG | 16-pin 150-mil SOIC-TAPE & REEL, Green | Commercial |
| ASM3I622S00KG-16-SR | 3I622S00KG | 16-pin 150-mil SOIC-TAPE & REEL, Green | Industrial |
| ASM3P622S00KG-16-TT | 3P622S00KG | 16-pin 4.4-mm TSSOP - TUBE, Green | Commercial |
| ASM3I622S00KG-16-TT | 3I622S00KG | 16-pin 4.4-mm TSSOP - TUBE, Green | Industrial |
| ASM3P622S00KG-16-TR | 3P622S00KG | 16-pin 4.4-mm TSSOP - TAPE & REEL, Green | Commercial |
| ASM3I622S00KG-16-TR | 3I622S00KG | 16-pin 4.4-mm TSSOP - TAPE & REEL, Green | Industrial |

Device Ordering Information

A S M 3 P 6 2 2 S 0 0 B F - 0 8 - T R

R = Tape & Reel, T = Tube or Tray

| | |
|-----------|-----------|
| O = SOT | U = MSOP |
| S = SOIC | E = TQFP |
| T = TSSOP | L = LQFP |
| A = SSOP | U = MSOP |
| V = TVSOP | P = PDIP |
| B = BGA | D = QSOP |
| Q = QFN | X = SC-70 |

DEVICE PIN COUNT

F = LEAD FREE AND RoHS COMPLIANT PART
G = GREEN PACKAGE, LEAD FREE, and RoHS

PART NUMBER

X = Automotive (-40C to +125C) I = Industrial (-40C to +85C) P or n/c = Commercial (0C to +70C)

| | |
|---------------------------|----------------------|
| 1 = Reserved | 6 = Power Management |
| 2 = Non PLL based | 7 = Power Management |
| 3 = EMI Reduction | 8 = Power Management |
| 4 = DDR support products | 9 = Hi Performance |
| 5 = STD Zero Delay Buffer | 0 = Reserved |

PulseCore Semiconductor Mixed Signal Product

Licensed under US patent #5,488,627, #6,646,463 and #5,631,920.



PulseCore Semiconductor Corporation
1715 S. Bascom Ave Suite 200
Campbell, CA 95008
Tel: 408-879-9077
Fax: 408-879-9018
www.pulsecoresemi.com

Copyright © PulseCore Semiconductor
All Rights Reserved
Preliminary Information
Part Number: ASM3P622S00A/B/J/E/K
Document Version: 0.4

Note: This product utilizes US Patent # 6,646,463 Impedance Emulator Patent issued to PulseCore Semiconductor, dated 11-11-2003
Timing-Safe™ US Patent Pending.

© Copyright 2006 PulseCore Semiconductor Corporation. All rights reserved. Our logo and name are trademarks or registered trademarks of PulseCore Semiconductor. All other brand and product names may be the trademarks of their respective companies. PulseCore reserves the right to make changes to this document and its products at any time without notice. PulseCore assumes no responsibility for any errors that may appear in this document. The data contained herein represents PulseCore's best data and/or estimates at the time of issuance. PulseCore reserves the right to change or correct this data at any time, without notice. If the product described herein is under development, significant changes to these specifications are possible. The information in this product data sheet is intended to be general descriptive information for potential customers and users, and is not intended to operate as, or provide, any guarantee or warranty to any user or customer. PulseCore does not assume any responsibility or liability arising out of the application or use of any product described herein, and disclaims any express or implied warranties related to the sale and/or use of PulseCore products including liability or warranties related to fitness for a particular purpose, merchantability, or infringement of any intellectual property rights, except as express agreed to in PulseCore's Terms and Conditions of Sale (which are available from PulseCore). All sales of PulseCore products are made exclusively according to PulseCore's Terms and Conditions of Sale. The purchase of products from PulseCore does not convey a license under any patent rights, copyrights; mask works rights, trademarks, or any other intellectual property rights of PulseCore or third parties. PulseCore does not authorize its products for use as critical components in life-supporting systems where a malfunction or failure may reasonably be expected to result in significant injury to the user, and the inclusion of PulseCore products in such life-supporting systems implies that the manufacturer assumes all risk of such use and agrees to indemnify PulseCore against all claims arising from such use.