

PLEASE CHECK WWW.MOLEX.COM FOR LATEST PART INFORMATION

Part Number: [0358972415](#)
Status: **Active**
Description: 1.02/2.28mm (.040/.090") Tab, Hybrid Wire-to-Wire Housing, Male, 24 Circuits

Documents:

[3D Model](#) [Product Specification PS-35896-2090 \(PDF\)](#)
[Drawing \(PDF\)](#) [RoHS Certificate of Compliance \(PDF\)](#)

General

Product Family Crimp Housings
 Series [35897](#)
 Product Name N/A

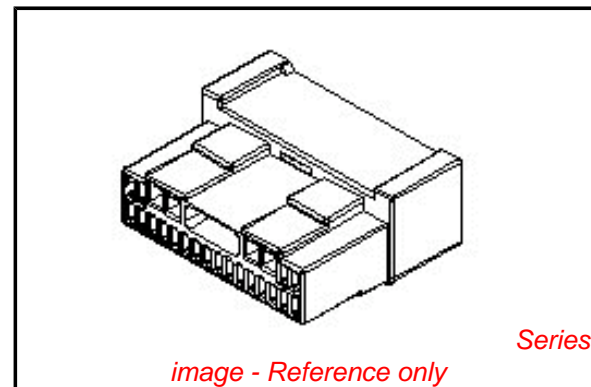
Physical

Circuits (maximum) 24
 Color - Resin Gray, Yellow
 Gender Male
 Glow-Wire Compliant No
 Material - Resin Polyester
 Number of Rows 2
 Packaging Type Bag
 Panel Mount Yes
 Pitch - Mating Interface (in) 0.098 In
 Pitch - Mating Interface (mm) 2.50 mm
 Stackable No
 Temperature Range - Operating -40°C to +80°C

Material Info

Reference - Drawing Numbers

Product Specification PS-35896-2090
 Sales Drawing SD-35897-002



EU RoHS

**ELV and RoHS
Compliant**
REACH SVHC
 Not Reviewed
**Halogen-Free
Status**

China RoHS



**Need more information on product
environmental compliance?**

Email productcompliance@molex.com
 For a multiple part number RoHS Certificate of Compliance, [click here](#)

Please visit the [Contact Us](#) section for any non-product compliance questions.

Search Parts in this Series

[35897Series](#)

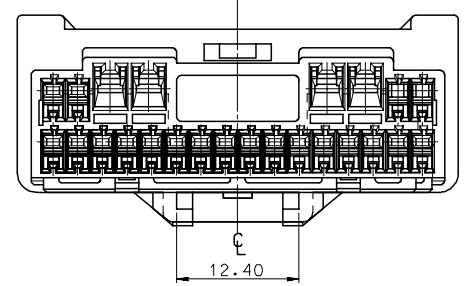
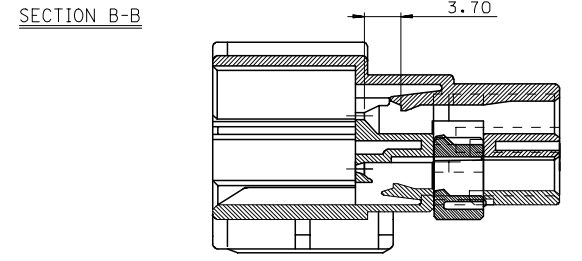
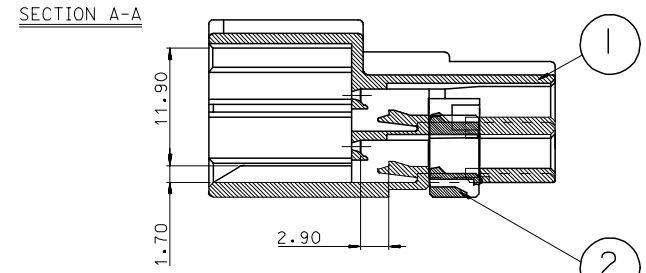
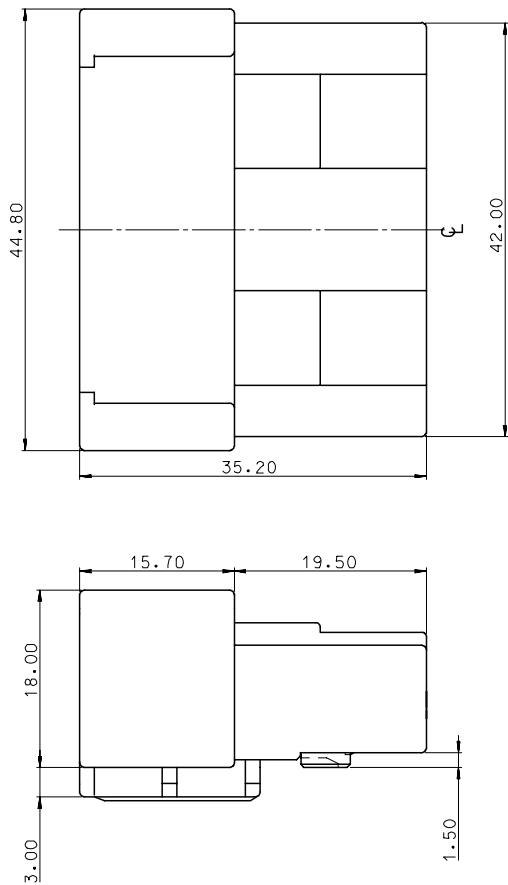
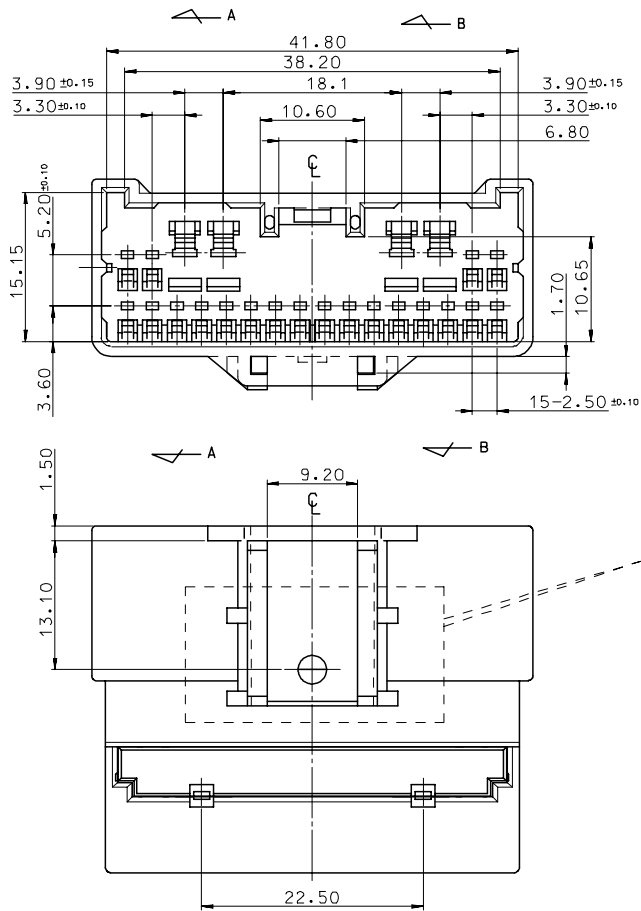
Mates With

[35896](#)

Use With

[50654](#) , [50660](#)

NO.	PART NO.	PART NAME	MATERIAL	REMARK
I-1	35897-2490	.040/090 M/HSG 24P	POLYESTER	WHITE
I-2	35897-2491	.040/090 M/HSG 24P	POLYESTER	BLACK
I-3	35897-2495	.040/090 M/HSG 24P	POLYESTER	GRAY
2	35897-2483	.040/090 MALE TPA 24P	POLYESTER	YELLOW



NOTE
 1. MATERIAL & FINISH: SEE TABLE
 2. APPLICATION: .040/090 FEMALE HOUSING ASS'Y 24P(ENG. NO.:35896-2410)

3	358972415	35897-2415
2	358972411	35897-2411
1	358972410	35897-2410
NO.	MATERIAL NO.	ENG. NO.

REVISED EC NO: KOR2007-0048 DRW: ECKIM 2007/03/07 CHK: B.C. YOON 2007/03/07 APPR: YUNSIKKIM 2007/03/23	QUALITY SYMBOLS	GENERAL TOLERANCES (UNLESS SPECIFIED)	DIMENSION STYLE	SCALE	DESIGN UNITS	THIRD ANGLE PROJECTION .040/090 MALE HSG ASS'Y 24P MOLEX INCORPORATED SD-35897-002 SHEET NO. 1 OF 01																		
	$\nabla=0$ $\nabla C=0$	<table border="1"> <thead> <tr> <th></th> <th>mm</th> <th>INCH</th> </tr> </thead> <tbody> <tr> <td>4 PLACES</td> <td>± ---</td> <td>± ---</td> </tr> <tr> <td>3 PLACES</td> <td>± ---</td> <td>± ---</td> </tr> <tr> <td>2 PLACES</td> <td>± 0.2</td> <td>± ---</td> </tr> <tr> <td>1 PLACE</td> <td>± 0.3</td> <td>± ---</td> </tr> <tr> <td colspan="3">ANGULAR ± 1 °</td> </tr> </tbody> </table>		mm	INCH		4 PLACES	± ---	± ---	3 PLACES	± ---	± ---	2 PLACES	± 0.2	± ---	1 PLACE	± 0.3	± ---	ANGULAR ± 1 °			MM ONLY DRAWN BY DATE HC.RHO 00/06/08 CHECKED BY DATE BK.CHOI 00/06/08 APPROVED BY DATE CW.LEE 00/06/08	2:1	METRIC
		mm	INCH																					
	4 PLACES	± ---	± ---																					
3 PLACES	± ---	± ---																						
2 PLACES	± 0.2	± ---																						
1 PLACE	± 0.3	± ---																						
ANGULAR ± 1 °																								
DRAFT WHERE APPLICABLE MUST REMAIN WITHIN DIMENSIONS	SEE TABLE	MATERIAL NO. DOCUMENT NO.	TITLE	MOLEX																				
SIZE A3	THIS DRAWING CONTAINS INFORMATION THAT IS PROPRIETARY TO MOLEX INCORPORATED AND SHOULD NOT BE USED WITHOUT WRITTEN PERMISSION																							