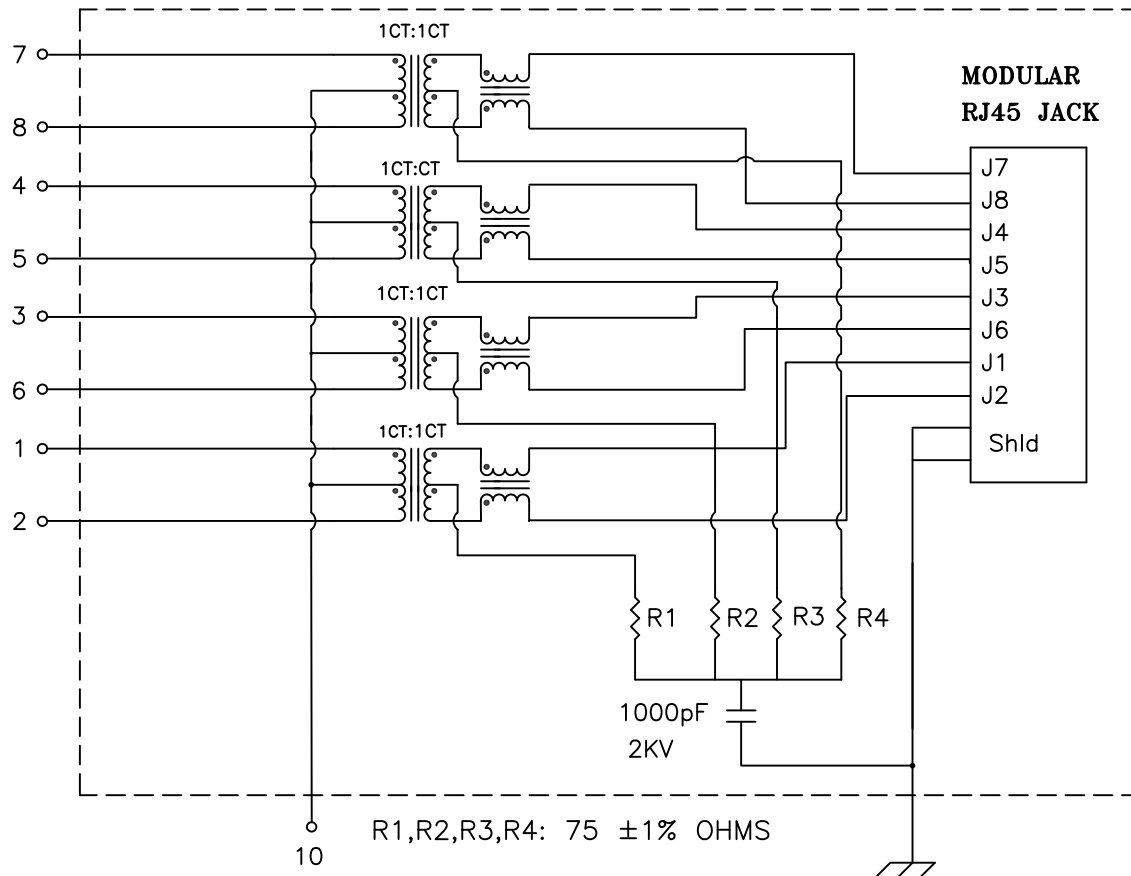


Schematic: (SINGLE PORT)



Electrical Specifications: @25°C

ISOLATION: 1500 Vrms (PRI TO SEC)
 TURNS RATIO: (PRI/SEC) 1CT:1CT ±2%
 OCL: 350uH MIN @100KHz 100mV 8mADC
 Rise Time: 1.75ns Max.
 INSERTION LOSS: -1.0dB MAX @1MHz-100MHz
 -1.5dB MAX @100-125MHz
 RETURN LOSS: -18dB Typ @1-30MHz
 -15dB Min @40MHz -13.1dB Min @50MHz
 -12dB Min @60-80MHz -10dB Min @100MHz
 Differential to Common Mode Rejection:
 -43dB Min @30MHz
 -37dB Min @80MHz
 -33dB Min @100MHz
 CMRR: -30dB Min @1-100MHz
 Crosstalk: -45dB Min @30MHz
 -40dB Min @60MHz -35dB Min @100MHz
 Q: 5 MIN @100KHz 100mV

Notes:

1. Solderability: Leads shall meet MIL-STD-202G, Method 208H for solderability.
2. Flammability: UL94V-0
3. ASTM oxygen index: > 28%
4. UL Recognized Component: File Number E165866
5. Operating Temperature Range: All listed parameters from -40C to +85C unless otherwise noted.
6. Storage Temperature Range: -55°C to +125°C
7. Aqueous wash compatible
8. Electrical and mechanical specifications 100% tested
9. RoHS Compliant Component

DOC REV.: A/2

XFMRs Inc.
 www.XFMRs.com

Title:
 SINGLE PORT GIGABIT COMBO

UNLESS OTHERWISE SPECIFIED
 TOLERANCES:
 .xxx ±0.010
 Dimensions in Inch

P/N: XFGIB100H-COMBO1-4MS

REV. A

DWN.

Xiang

Feb-01-16

CHK.

YK Liao

Feb-01-16

APP.

DDC

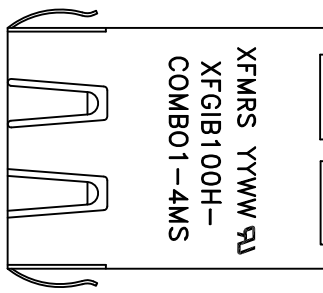
Feb-01-16

SHEET 1 OF 2

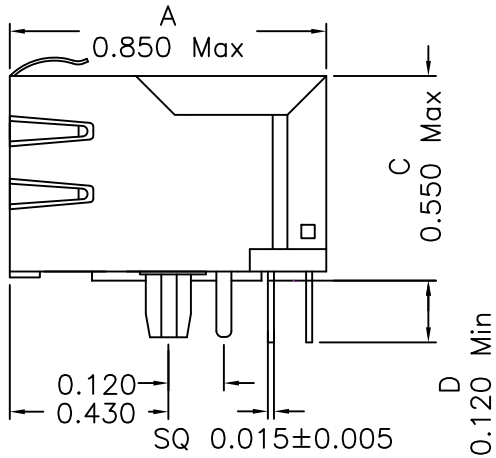
PROPRIETARY:

Document is the property of XFMRs Group & is not allowed to be duplicated without authorization.

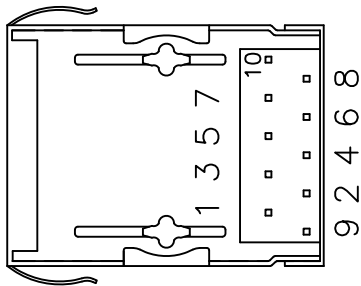
Mechanical Dimensions:



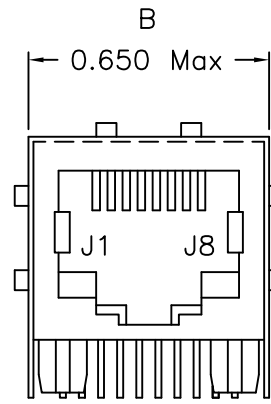
(TOP VIEW)



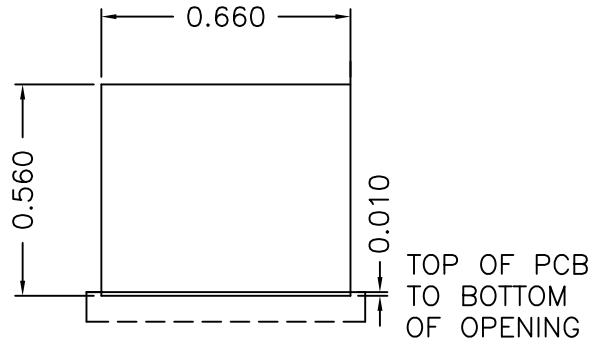
(SIDE VIEW)



(BOTTOM VIEW)

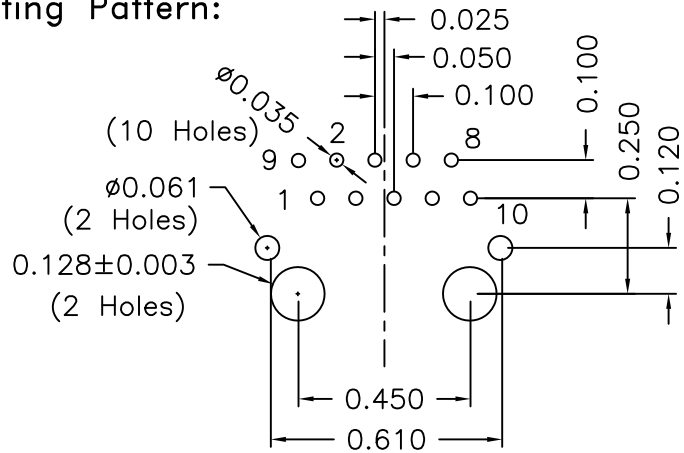


(FRONT VIEW)



SUGGESTED PANEL CUTOUT DIMENSIONS

Mounting Pattern:



DOC. REV: A/2

XFMRS Inc. www.XFMRS.com	Title: Mechanical Dimensions For COMBO1-4MS Series			
	UNLESS OTHERWISE SPECIFIED TOLERANCES: .xxx ±0.010 Dimensions in Inch	P/N: XFGIB100H-COMBO1-4MS	REV. A	DWN. Xiang Feb-01-16 CHK. YK Liao Feb-01-16 APP. DDC Feb-01-16
SHEET 2 OF 2		APP.	DDC	Feb-01-16

PROPRIETARY:

Document is the property of XFMRS Group & is not allowed to be duplicated without authorization.