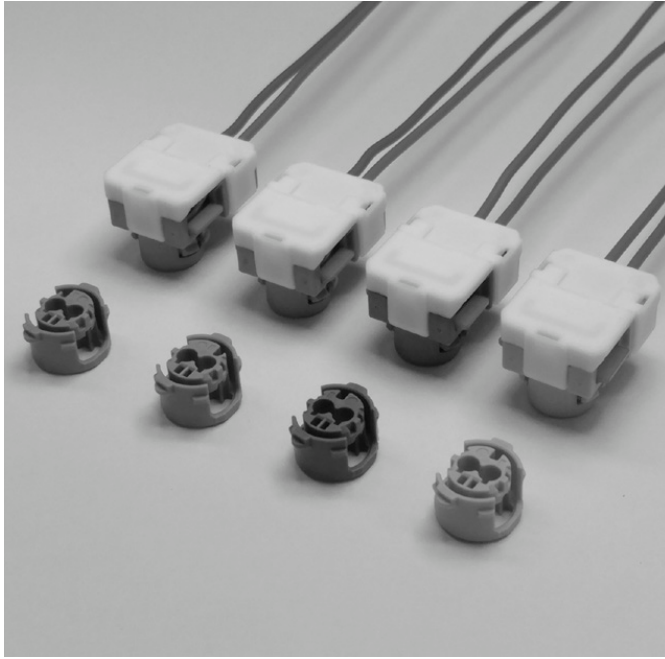
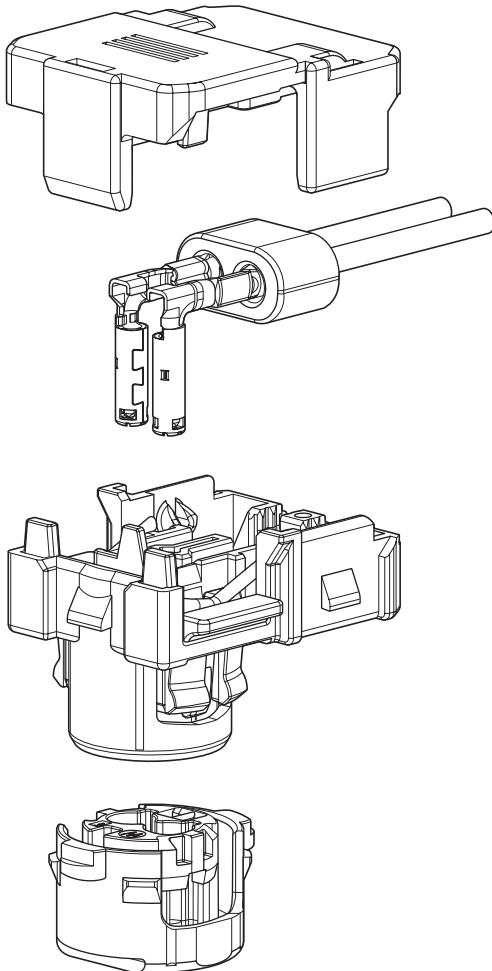


# SQB CONNECTOR

## Squib connectors



Shunt-less Squib Connector.  
Connector for air-bag with Go/No-Go system, which allows locking connector and detect incomplete mating.



### Features

#### ● Shunt-Less Squib Connector

Mate with retainer without shorting bar.

#### ● Go / No-Go Mating System

Self-rejection system to prevent incomplete mating.

Operation efficiency is improved by audible and tactile feeling of CPA clicking.

#### ● Stability of Electrical Connection

Terminal has three contact points.

Prevent the deformation of contact area by covering ferrule to contact spring.

#### ● Noise Suppression

Ferrite core provides simple and reliable noise suppression characteristics.

### Specifications

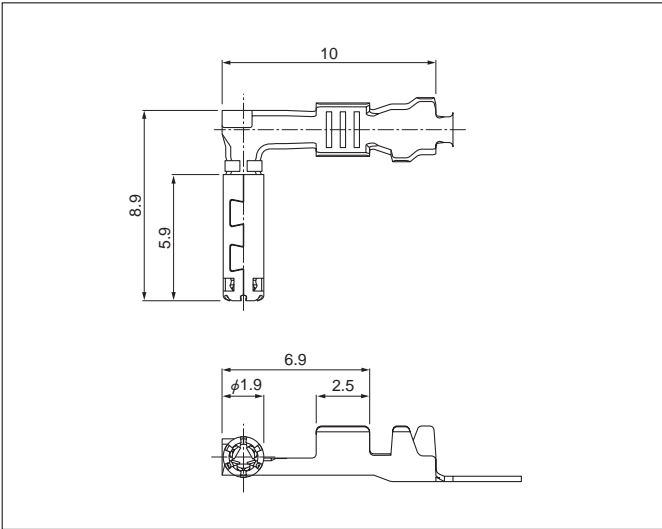
- Current rating: 3 A AC, DC max.
- Temperature range: -40°C to +85°C  
(including temperature rise in applying electrical current)
- Insulation resistance: 100 MΩ min.
- Applicable wire: AVSS  
0.3 mm<sup>2</sup>, 0.5 mm<sup>2</sup>  
FLRY-A  
0.35 mm<sup>2</sup>, 0.5 mm<sup>2</sup>

\* Compliant with ELV/RoHS.

\* Contact JST for details.

# SQB CONNECTOR

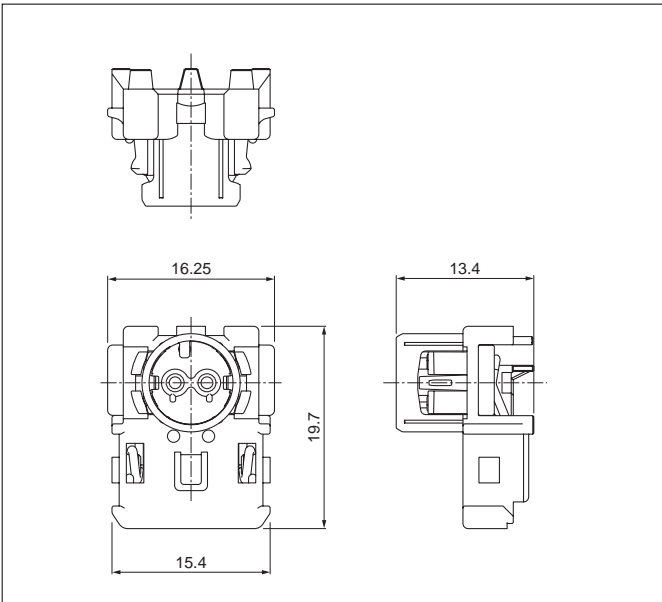
## Female terminal



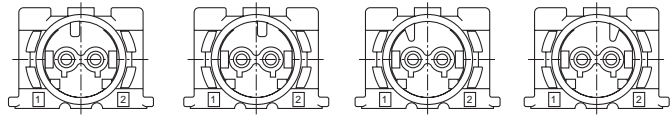
Model No.	Applicable wire range		Q'ty/reel
	Conductor (mm <sup>2</sup> )	Insulation O.D. (mm)	
<b>SSQSK-A03GJ-P-R</b>	0.3 to 0.5	1.0 to 1.6	5,000
<b>SSQSK-A03GJ-P-L</b>	0.3 to 0.5	1.0 to 1.6	5,000

Material and Finish
Copper alloy, nickel-undercoated, Contact area; gold-plated (0.8µm min.) Barrel area; tin-plated

## Female housing assembly



### Keying figure



W code

X code

Y code

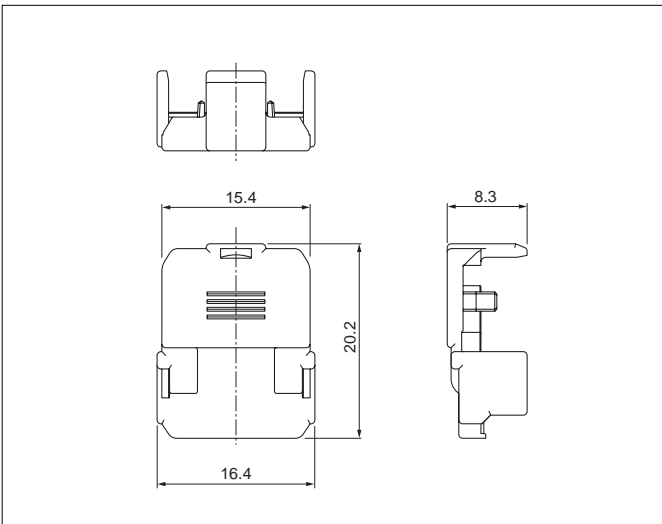
Z code

Circuits	Model No.	Keying figure	Q'ty/box	Color
2	<b>SQBRB-02-1A-PK</b>	W code	Note)	Pink
	<b>SQBRB-02-1B-DV</b>	X code		Purple
	<b>SQBRB-02-1C-H</b>	Y code		Gray
	<b>SQBRB-02-1D-M</b>	Z code		Green

Material
Female housing; Glass-filled PBT CPA; Glass-filled PBT, Orange Spring; SUS

Note: Contact JST for details.

## Cover housing

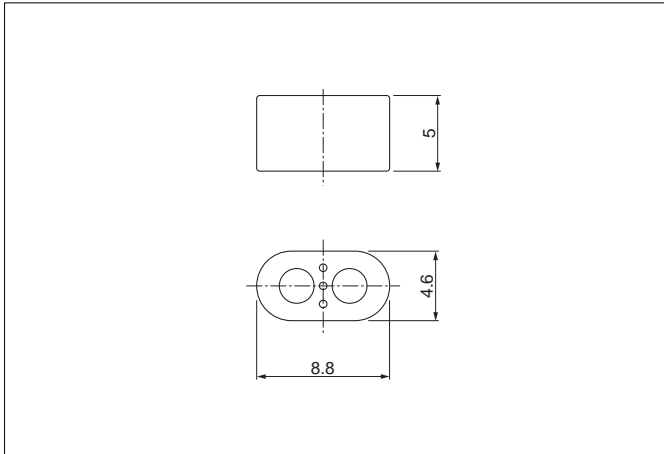


Circuits	Model No.	Q'ty/box	Color
2	<b>SQBL-02H-1A-Y</b>	Note)	Yellow

Material
Glass-filled PBT

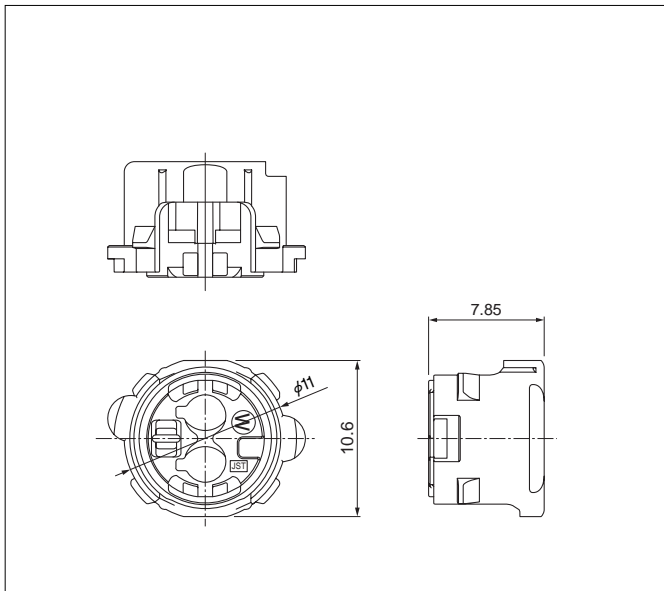
Note: Contact JST for details.

## Ferrite

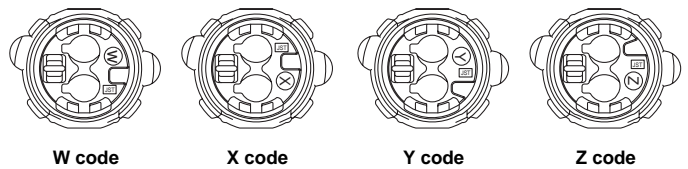


Circuits	Model No.	Q'ty/box
2	<b>SQZF-02-1A</b>	1,500

## Retainer



### ● Keying figure



Circuits	Model No.	Keying figure	Q'ty/box	Color
2	<b>SQBP-02H-1A-PK</b>	W code	15,000	Pink
	<b>SQBP-02H-1B-DV</b>	X code		Purple
	<b>SQBP-02H-1C-H</b>	Y code		Gray
	<b>SQBP-02H-1D-M</b>	Z code		Green

### Material

Glass-filled PA 66

## Crimping machine, Applicator

Strip terminal	Crimping machine	Crimp applicator MKS-L	
		Dies	Crimp applicator with dies
<b>SSQSK-A03GJ-P-R</b> <b>SSQSK-A03GJ-P-L</b>	AP-K2N	MK/SSQSK-A03-P	APLMK SSQSK-A03-P

Note: When crimping operation is conducted using an applicator and die set other than the above, JST cannot guarantee the performance of the terminal.