

# Series 79 Micro-Crimp Section H: Backshells and Accessories



## 799-016 EMI BACKSHELL FOR PANEL MOUNT CONNECTORS



Attach shield braid to panel-mounted connectors with 799-016 EMI adapters. These one-piece backshells attach to connector with stainless steel screws. These adapters feature an interlocking tongue that fits inside the connector for improved EMI shielding. Terminate shields with **BAND-IT™** stainless steel straps. Elliptical cable entry provides room for large wire bundles. These machined T6061 aluminum backshells are supplied with two mounting screws. These adapters fit 790-026 receptacles and 790-027 plugs.

Component	Material	Finish
Backshell	Aluminum Alloy	See table below
Hardware	Stainless Steel	Passivated

### How To Order

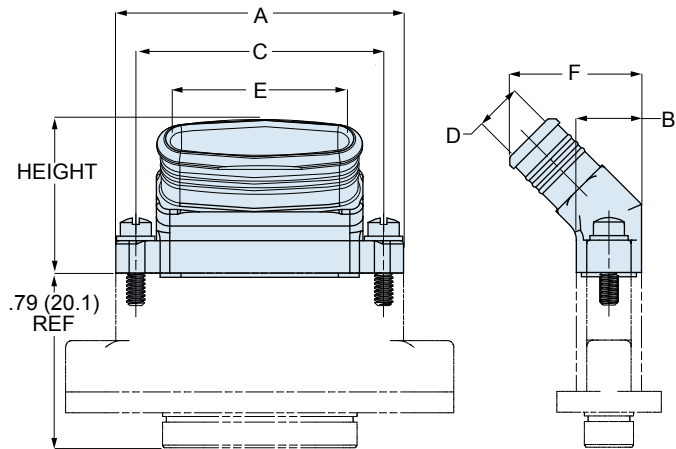
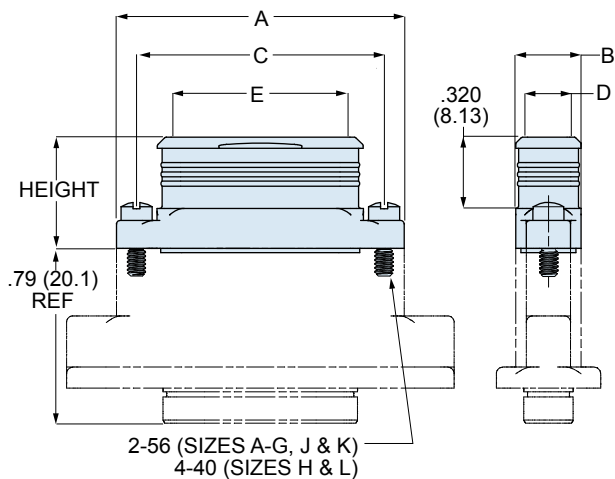
Sample Part Number																																																																																																				
799-016T	M	F	04	N	09																																																																																															
Part Number	Shell Finish	Shell Size	Cable Entry Size	Band Option	Height Code																																																																																															
 <b>799-016T</b> Top Entry	<p><b>M</b> Electroless Nickel <i>general purpose applications</i></p> <p><b>MT</b> Nickel-PTFE 1000 Hour Grey™ <i>maximum corrosion protection and durability (non-reflective grey)</i></p> <p><b>ZNU</b> Zinc-Nickel with Black Chromate <i>tactical applications (non-reflective black)</i></p> <p>Additional shell finishes are listed on page C-9.</p>	<p><b>A</b></p> <p><b>B</b></p> <p><b>C</b></p> <p><b>D</b></p> <p><b>E</b></p> <p><b>F</b></p> <p><b>G</b></p> <p><b>H</b></p> <p><b>J</b></p> <p><b>K</b></p> <p><b>L</b></p>	 Cable Entry Code    E (In.)    Shell Size <b>01</b> .255    A-L <b>02</b> .405    B-L <b>03</b> .555    C-L <b>04</b> .655    D-L <b>05</b> .805    E-L <b>06</b> .920    F-L <b>07</b> 1.110    H-L <b>08</b> 1.300    H-L <b>09</b> 1.415    K, L <b>10</b> 1.535    K, L <b>11</b> 1.715    K	<p><b>N</b> No Band Supplied</p> <p><b>M</b> <b>BAND-IT™</b> Micro-Band Included. .125 (3.18) Wide.</p>	 TOP ENTRY (T)																																																																																															
					 SIDE ENTRY (S)																																																																																															
 <b>799-016S</b> Side Entry					 45° ENTRY (E)																																																																																															
 <b>799-016E</b> 45° Entry					<p><b>Entry Style Range</b></p> <table border="1"> <thead> <tr> <th>Height Code</th> <th>Length (In.)</th> <th>Top Entry (T)</th> <th>Side Entry (S)</th> <th>45° Entry (E)</th> </tr> </thead> <tbody> <tr><td>05</td><td>.313</td><td>—</td><td>A-F, J, K</td><td>—</td></tr> <tr><td>06</td><td>.375</td><td>—</td><td>A-F, J, K</td><td>—</td></tr> <tr><td>07</td><td>.438</td><td>—</td><td>A-L</td><td>—</td></tr> <tr><td>08</td><td>.500</td><td>—</td><td>A-L</td><td>—</td></tr> <tr><td>09</td><td>.563</td><td>A-F, J, K</td><td>A-L</td><td>A-F, J, K</td></tr> <tr><td>10</td><td>.625</td><td>A-L</td><td>A-L</td><td>A-G, J, K</td></tr> <tr><td>11</td><td>.688</td><td>A-L</td><td>A-L</td><td>A-L</td></tr> <tr><td>12</td><td>.750</td><td>A-L</td><td>A-L</td><td>A-L</td></tr> <tr><td>13</td><td>.813</td><td>A-L</td><td>—</td><td>A-L</td></tr> <tr><td>14</td><td>.875</td><td>A-L</td><td>—</td><td>A-L</td></tr> <tr><td>15</td><td>.938</td><td>A-L</td><td>—</td><td>A-L</td></tr> <tr><td>16</td><td>1.000</td><td>A-L</td><td>—</td><td>A-L</td></tr> <tr><td>17</td><td>1.063</td><td>A-L</td><td>—</td><td>A-L</td></tr> <tr><td>18</td><td>1.125</td><td>A-L</td><td>—</td><td>G, H, L</td></tr> <tr><td>19</td><td>1.188</td><td>G, H, L</td><td>—</td><td>G, H, L</td></tr> <tr><td>20</td><td>1.250</td><td>G, H, L</td><td>—</td><td>G, H, L</td></tr> <tr><td>21</td><td>1.313</td><td>G, H, L</td><td>—</td><td>G, H, L</td></tr> <tr><td>22</td><td>1.375</td><td>G, H, L</td><td>—</td><td>—</td></tr> </tbody> </table>	Height Code	Length (In.)	Top Entry (T)	Side Entry (S)	45° Entry (E)	05	.313	—	A-F, J, K	—	06	.375	—	A-F, J, K	—	07	.438	—	A-L	—	08	.500	—	A-L	—	09	.563	A-F, J, K	A-L	A-F, J, K	10	.625	A-L	A-L	A-G, J, K	11	.688	A-L	A-L	A-L	12	.750	A-L	A-L	A-L	13	.813	A-L	—	A-L	14	.875	A-L	—	A-L	15	.938	A-L	—	A-L	16	1.000	A-L	—	A-L	17	1.063	A-L	—	A-L	18	1.125	A-L	—	G, H, L	19	1.188	G, H, L	—	G, H, L	20	1.250	G, H, L	—	G, H, L	21	1.313	G, H, L	—	G, H, L	22	1.375	G, H, L	—	—
Height Code	Length (In.)	Top Entry (T)	Side Entry (S)	45° Entry (E)																																																																																																
05	.313	—	A-F, J, K	—																																																																																																
06	.375	—	A-F, J, K	—																																																																																																
07	.438	—	A-L	—																																																																																																
08	.500	—	A-L	—																																																																																																
09	.563	A-F, J, K	A-L	A-F, J, K																																																																																																
10	.625	A-L	A-L	A-G, J, K																																																																																																
11	.688	A-L	A-L	A-L																																																																																																
12	.750	A-L	A-L	A-L																																																																																																
13	.813	A-L	—	A-L																																																																																																
14	.875	A-L	—	A-L																																																																																																
15	.938	A-L	—	A-L																																																																																																
16	1.000	A-L	—	A-L																																																																																																
17	1.063	A-L	—	A-L																																																																																																
18	1.125	A-L	—	G, H, L																																																																																																
19	1.188	G, H, L	—	G, H, L																																																																																																
20	1.250	G, H, L	—	G, H, L																																																																																																
21	1.313	G, H, L	—	G, H, L																																																																																																
22	1.375	G, H, L	—	—																																																																																																

Dimensions in inches (millimeters) and are subject to change without notice.

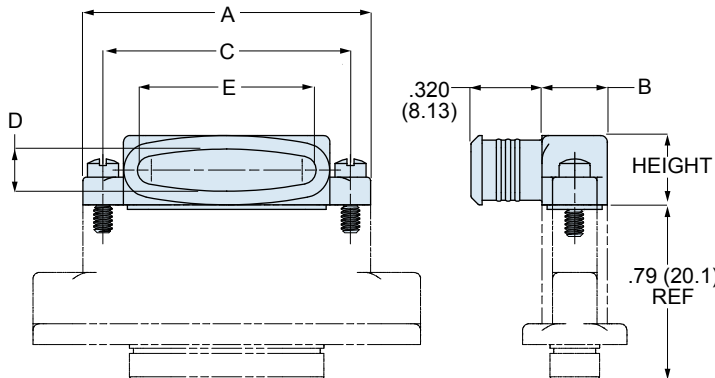


## 799-016 STYLE T - TOP ENTRY

## 799-016 STYLE E - 45° ENTRY



## 799-016 STYLE S - SIDE ENTRY



799-016 DIMENSIONS											
Shell Size	A Max.		B Max.		C		D		F		Max. Entry Size
	In.	mm.	In.	mm.	In.	mm.	In.	mm.	In.	mm.	
A	.760	19.30	.308	7.82	.565	14.35	.190	4.83	.59	15.0	01
B	.910	23.11	.308	7.82	.715	18.16	.190	4.83	.59	15.0	02
C	1.060	26.92	.308	7.82	.865	21.97	.190	4.83	.59	15.0	03
D	1.160	29.46	.308	7.82	.965	24.51	.190	4.83	.59	15.0	04
E	1.310	33.27	.308	7.82	1.115	28.32	.190	4.83	.59	15.0	05
F	1.460	36.83	.308	7.82	1.265	32.13	.190	4.83	.59	15.0	06
G	1.410	35.81	.395	10.03	1.215	30.86	.275	6.99	.68	17.3	06
H	2.045	51.94	.410	10.41	1.800	45.72	.300	7.62	.70	17.8	08
J	1.810	45.97	.308	7.82	1.615	41.02	.190	4.83	.59	15.0	08
K	2.210	56.13	.308	7.82	2.015	51.18	.190	4.83	.59	15.0	11
L	2.281	57.94	.410	10.41	2.036	51.71	.300	7.62	.70	17.8	10

ENTRY SIZE			
Code	E		Available Sizes
	In.	mm.	
01	.255	6.48	A thru L
02	.405	10.29	B thru L
03	.555	14.10	C thru L
04	.655	16.64	D thru L
05	.805	20.45	E thru L
06	.920	23.37	F thru L
07	1.110	28.19	H thru L
08	1.300	33.02	H thru L
09	1.415	35.94	K, L
10	1.535	38.99	K, L
11	1.715	43.56	K

Dimensions in inches (millimeters) and are subject to change without notice.