

DeviceNet Mini-style Connectors

CM03A Series (Overmolded Cable Assembly) DDK Ltd.

Conforming Standard

DeviceNet

Waterproof

IP 67

Lock Type

Threaded Coupling

◆ OUTLINE

CM03A series is a overmolded cable assembly which is in accordance with DeviceNet Mini-Style, an official standard of ODVA (Open DeviceNet Vendor Association, Inc.). The connectors are provided with a pre-mating contact which is a first make-last break contact to protect the circuit.

When mated, the pre-mating contact is connected first before the other contacts and is detached last when dismated. CM03A series will be supplied by the style of the cable assemblies in order for you to eliminate the termination job. The cable assemblies for power are also available from our product line.

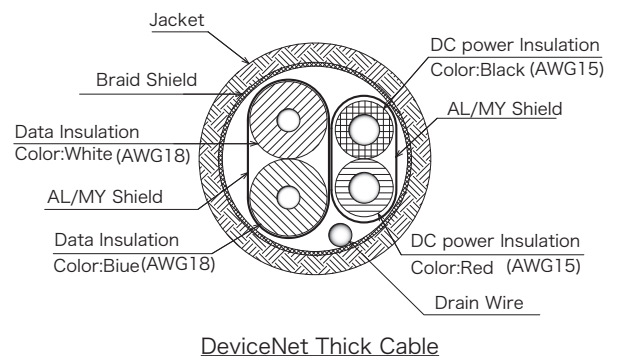


◆ FEATURES

- Intermateable with CM03 series.
- Rated for IP67 for environments.
- Solder termination style.

◆ SPECIFICATIONS

Rated Current	8A/Contact
Rated Voltage	125V DC
Dielectric Withstanding Voltage	1500V AC(r.m.s.) for 1 minute
Insulation Resistance	100M Ω Min. at 500V DC
Operating Temperature Range	-20°C to +70°C
Waterproof	IP67 when mated
Pin Contact Size	φ 2.0 mm
No. of Contacts	4 and 5



◆ MATERIAL/FINISH

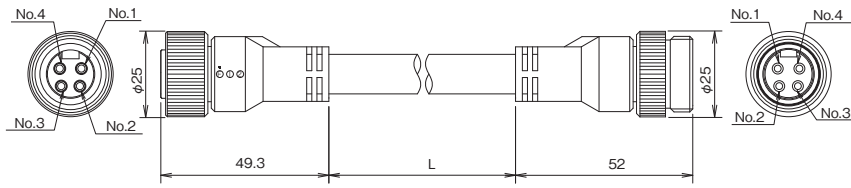


Item	Plug	Jack
Contact	Copper Alloy/Gold Plating	Copper Alloy/Gold Plating
Insulator	Synthetic Resin(UL94V-0)/Gray	Synthetic Resin(UL94V-0)/Gray
Coupling Ring	Zinc Alloy/Nickel Plating	Zinc Alloy/Nickel Plating
O Ring	Synthetic Rubber/Black	
Overmolding Resin	Plastic(UL94V-0)/Black	Plastic(UL94V-0)/Black

© Specifications and/or dimensions in this catalog are subject to change without notice. © Your checking the latest specifications with our drawings would be highly appreciated.

▶ Double-Ended Cable Assemblies (4 Contacts)

- A plug connector with socket contacts and a jack connector with pin contacts



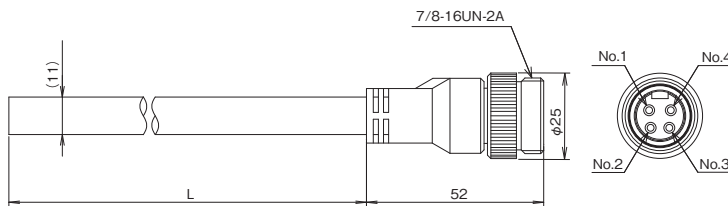
L	P / N
1,000	CM03AA-P4S-010
2,000	CM03AA-P4S-020
3,000	CM03AA-P4S-030
5,000	CM03AA-P4S-050
10,000	CM03AA-P4S-100

Wiring

Number of Contacts	Cable Color	Signal
1	Black	V -
2	White	V +
3	Red	V +
4	Green	V -

▶ Jack Single-Ended Cable Assemblies (4 Contacts)

- Jack connector with pin contacts



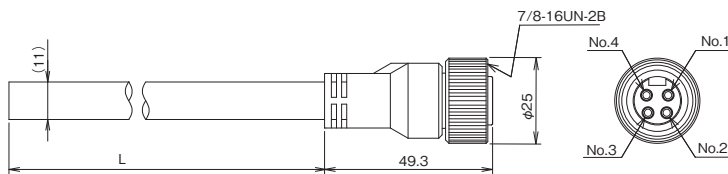
L	P / N
1,000	CM03A-J4P-010
2,000	CM03A-J4P-020
3,000	CM03A-J4P-030
5,000	CM03A-J4P-050
10,000	CM03A-J4P-100

Wiring

Number of Contacts	Cable Color	Signal
1	Black	V -
2	White	V +
3	Red	V +
4	Green	V -

▶ Plug Single-Ended Cable Assemblies (4 Contacts)

- Plug connector with socket contacts



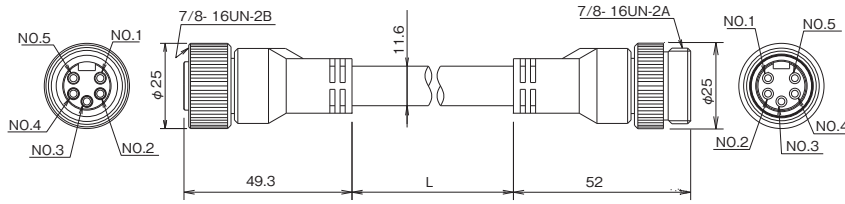
L	P / N
1,000	CM03A-P4S-010
2,000	CM03A-P4S-020
3,000	CM03A-P4S-030
5,000	CM03A-P4S-050
10,000	CM03A-P4S-100

Wiring

Number of Contacts	Cable Color	Signal
1	Black	V -
2	White	V +
3	Red	V +
4	Green	V -

▶ Double-Ended Cable Assemblies (5 Contacts)

· Plug with socket contacts and jack with pin contacts



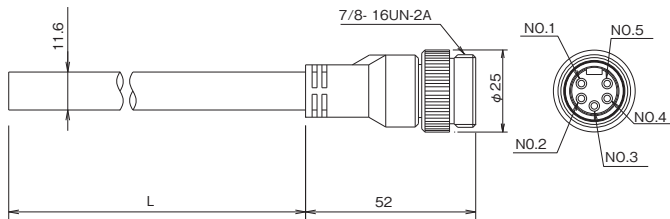
L	P / N
1,000	CM03AA-P5S-010
2,000	CM03AA-P5S-020
3,000	CM03AA-P5S-030
5,000	CM03AA-P5S-050
10,000	CM03AA-P5S-100

Wiring

Number of Contacts	Cable Color	Signal
1	—	DRAIN
2	Red	V +
3	Black	V -
4	White	CAN H
5	Blue	CAN L

▶ Jack Single-Ended Cable Assemblies (5 Contacts)

· Jack connector with pin contacts



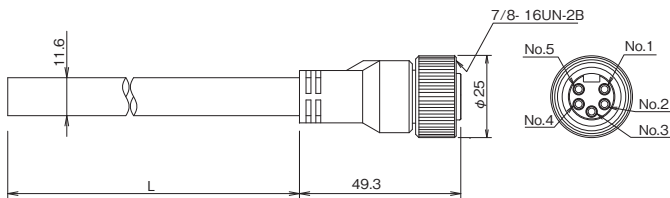
L	P / N
1,000	CM03A-J5P-010
2,000	CM03A-J5P-020
3,000	CM03A-J5P-030
5,000	CM03A-J5P-050
10,000	CM03A-J5P-100

Wiring

Number of Contacts	Cable Color	Signal
1	—	DRAIN
2	Red	V +
3	Black	V -
4	White	CAN H
5	Blue	CAN L

▶ Plug Single-Ended Cable Assemblies (5 Contacts)

· Plug connector with socket contacts

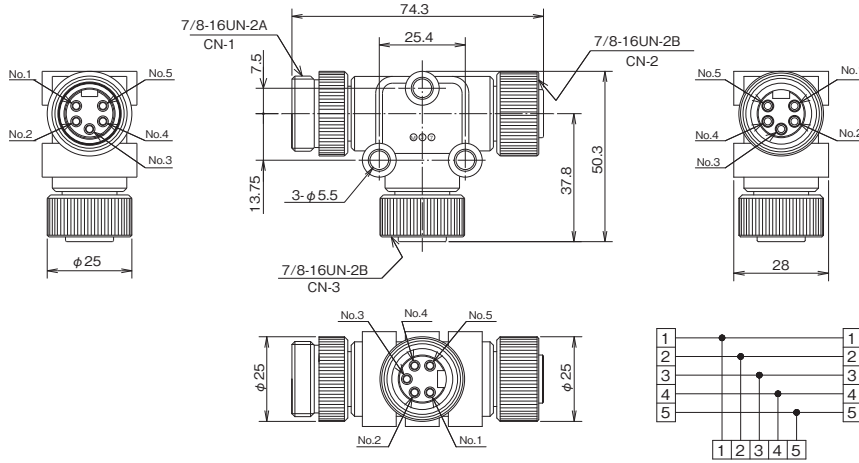


L	P / N
1,000	CM03A-P5S-010
2,000	CM03A-P5S-020
3,000	CM03A-P5S-030
5,000	CM03A-P5S-050
10,000	CM03A-P5S-100

Wiring

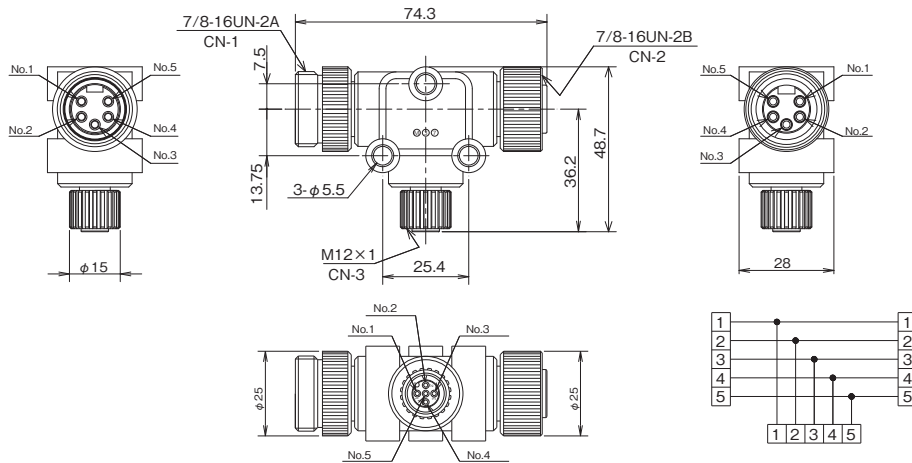
Number of Contacts	Cable Color	Signal
1	—	DRAIN
2	Red	V +
3	Black	V -
4	White	CAN H
5	Blue	CAN L

▶ T Divergence Adapter (For Trunk Line)



P/N	Connector Name		
	CN-1	CN-2	CN-3
CM03A-TA5-1	CM03-P5S	CM03-J5P	
	CM03-PR5S- □	CM03-R5P- □	
	CM03A-PR5S-S- □	CM03A-J5P- □	
	CM03A-P5S- □	CM03A-R5P-S- □	

▶ T Divergence Adapter (For Branch Line)

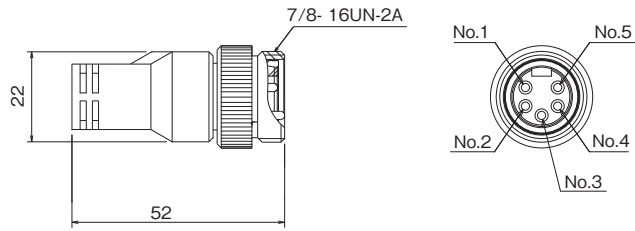


P/N	Connector Name		
	CN-1	CN-2	CN-3
CM03A-TA5-2	CM03-P5S	CM03-J5P	CM02-8DR5P- □
	CM03-PR5S- □	CM03-R5P- □	CM02-8DR5PD (D1)
	CM03A-PR5S-S- □	CM03A-J5P- □	CM02A-8DJ5P- □
	CM03A-P5S- □	CM03A-R5P-S- □	CM02B-8DJ5P- □

▶ Terminating Resistor With Jack (Pin)

- Terminated between No.4 and No.5 with resistor, 121 ohm, 1/4watt.

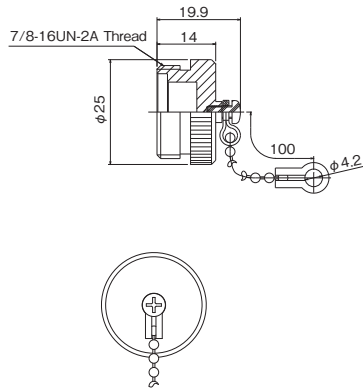
P/N : CM03A-ER5P



▶ Cap

Plug Cap

P/N : CM03-PRC



Receptacle Cap

P/N : CM03-RC

