

www.maxim-ic.com

GENERAL DESCRIPTION

The DS80C400 evaluation kit (EV kit) is a proven platform to conveniently evaluate the capabilities of the DS80C400 networked microcontroller. This kit contains the DSTINIm400 evaluation module, a fully functional and tested reference design based on the DS80C400 networked microcontroller. In addition, the kit contains the DSTINIs400 sockets board, which functions as the motherboard designed to host the DSTINIm400 evaluation module.

EVALUATION KIT CONTENTS

- DSTINIm400* Reference Board
- DSTINIs400* Socket Board
- DS80C400 Software CD-ROM
- Quick Start Guide
- 9-Pin Serial Cable
- Ethernet Cable

ORDERING INFORMATION

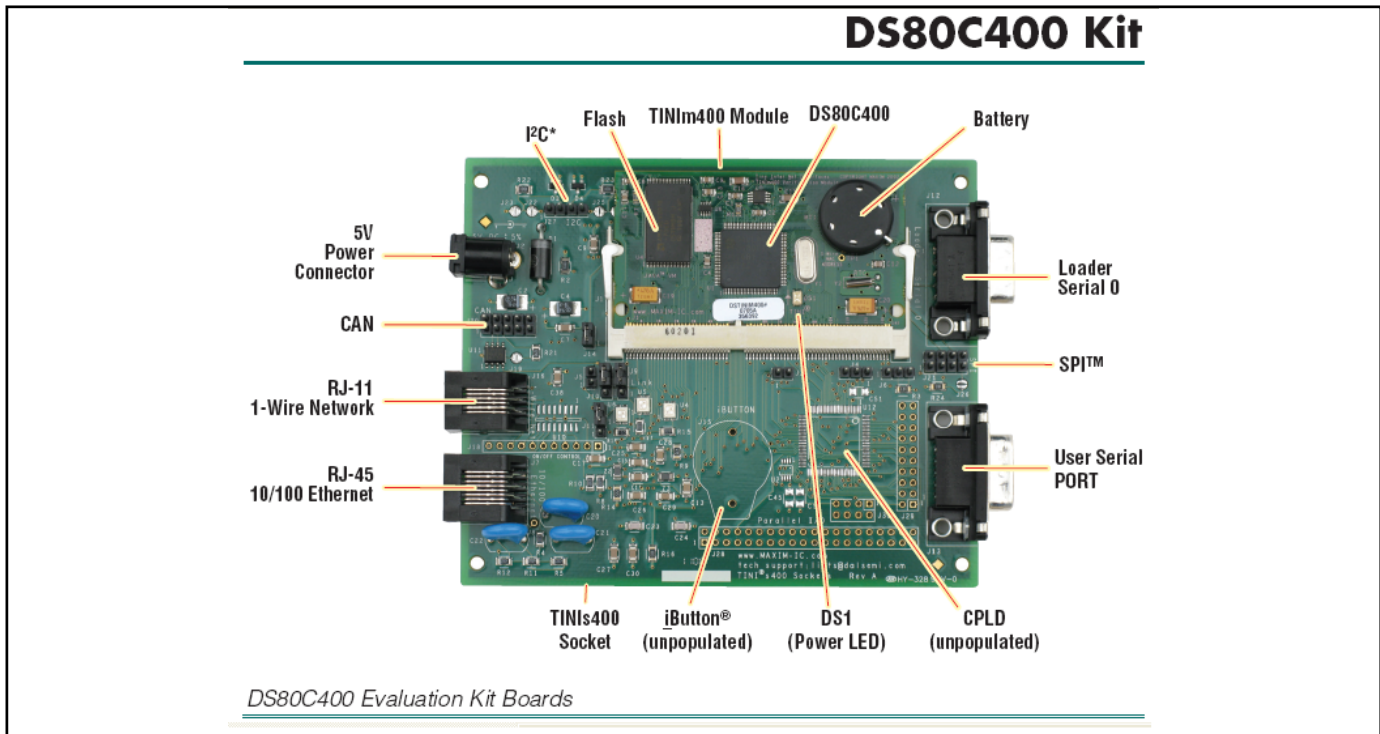
PART	DESCRIPTION
DS80C400-KIT#	Evaluation kit for DS80C400

Denotes a RoHS-compliant device that may contain lead that is exempt under the RoHS requirements.

FEATURES

- Hosts the TINI Runtime Environment in a Validated Hardware Design (DSTINIm400)
- 10/100 Ethernet Interface Connects Directly to Standard Networks
- Three Hardware Serial Ports
- One TTL Level Connectors
- Two RS-232 Level Connectors
- Integrated 1-Wire® Network Master
- Hardware CAN2.0B Port
- Software Support for I²C and SPI™ Ports
- Real-Time Clock (RTC) for Time/Date Stamping of Critical Transactions
- 1MB Flash ROM for Application Storage
- 1MB NV SRAM for Data Storage
- 5V Power Supply (Center Positive)

*SPI is a trademark of Motorola, Inc.
 1-Wire and iButton are registered trademarks of Dallas Semiconductor.
 RoHS-compliant version in the DS80C400-KIT#.



DS80C400 INFORMATION

For more information about the DS80C400, refer to the DS80C400 data sheet available on our website at www.maxim-ic.com/DS80C400.

DSTINIm400 AND DSTINIs400 INFORMATION

Refer to the DSTINIm400 and DSTINIs400 evaluation module data sheets for detailed schematics and bill of materials. Both of these data sheets are contained on the included CD-ROM, and are also available on our website at www.maxim-ic.com/DSTINIm400 and www.maxim-ic.com/DSTINIs400.