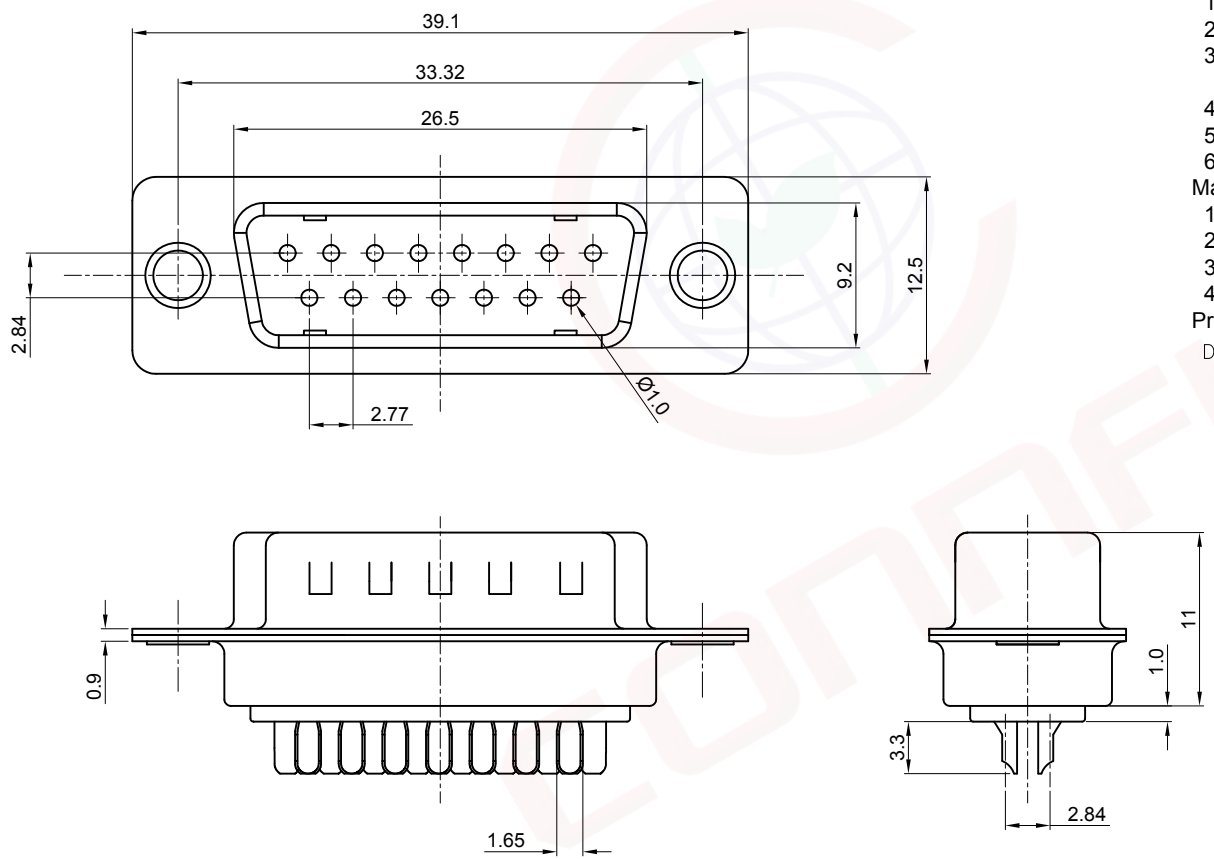


The information provided herein is from CONNELY Electronic Co., Ltd. and is confidential. Any disclosure to a party other than the recipient is prohibited. The intellectual properties and its rights contained herein, including but not limited to, trademarks, patents, copyrights, trade secrets, and technical know-how, are owned exclusively by CONNELY or its affiliates. Unauthorized use or reproduction of any part of this document is strictly prohibited. CONNELY may enforce its intellectual property rights at its own discretion, failures or delays to exercise such rights does not constitute a waiver of such rights.

REV.	DESCRIPTION	DRAWN	CHECKED	APPROVED
A	NEW RELEASE	JLZ 07/04/19'		



- Notes:
- Specifications:
- Contact Resistance: 20mΩ Max.
  - Insulation Resistance: 1000MΩ Min.
  - Dielectric Withstanding Voltage: 500V AC(rms) For 1 Minute.
  - Current Rating:3A.
  - Voltage Rating:250V AC rms.
  - Temperature: -40°C~+105°C.

- Materials:
- Contact Material: Copper Alloy.
  - Contact Plating: Selective Gold Flash.
  - Insulator Material: PBT,Black.
  - Shell:Steel,Front Nickel,Back Tin.

Product Number Code:

DS1033- X X X X X X X

- Screw DIM. A
- S: Standard(W/O nut)
- Screw type
- S: Standard(W/O nut)
- Contact plating
- Si: Selective gold flash
- Shell plating
- N: Front nickel,back tin
- Housing color
- B: Black
- Connector type
- M: Male
- No.of contacts
- 15

GENERAL TOLERANCE		ANGLE TOLERANCE		PROJECTION		TITLE	D-SUB Solder Type	
X.	±0.60	X.	±5°	UNITS	mm			
.X	±0.38	.X	±3°	SHEET SIZE	A4	SERIES	DS1033 SERIES	
.XX	±0.25	.XX	±2°	<b>晨翔电子有限公司</b> CONNELY ELECTRONIC CO., LTD				
DRAWING TYPE		CUSTOMER						
SCALE	1:1	SHEET	1 OF 1					
DRAWING NO.		C-DS1033-15MBSNISS-CT-A						