

### Description

These power modules are a series of high performance, 8-A rated, Integrated Switching Regulators (ISRs), housed in a low cost 14-Pin SIP (Single In-line Package). Operating from either a 3.3V or 5V standard power bus, the PT6520 series produces a high-output, low-voltage power source for the industry's latest high-speed, microprocessors, ASICs, & DSPs. This allows for the easy integration of these new low-voltage ICs into existing 3.3V or 5V systems without re-designing the power supply.

The PT6520 series features an output On/Off standby pin and output short-circuit protection.

### Features

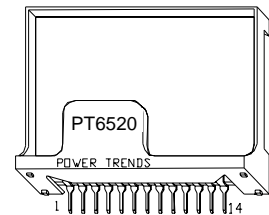
- 8A Rated Output Current
- Single Device: 3.3V/5V Input
- High Efficiency (92% for PT6521)
- Small Footprint (0.75 in<sup>2</sup>, Suffix 'P')
- Output On/Off Standby Control
- Output Short-Circuit Protection
- Adjustable Output Voltage
- Soft Startup
- 16-pin Mount Option (Suffixes L, M, Q, & F)

### Ordering Information

- † PT6521□ = 3.3 Volts
- † PT6522□ = 1.5 Volts
- † PT6523□ = 2.5 Volts
- † PT6525□ = 2.1 Volts
- † PT6526□ = 1.8 Volts
- † PT6527□ = 1.2 Volts

† 3.3V Input Bus Capable

Note:  
Back surface of product is electrically conductive



### PT Series Suffix (PT1234x)

| Case/Pin Configuration    | Order Suffix | Package Code * |
|---------------------------|--------------|----------------|
| Vertical                  | <b>P</b>     | (EED)          |
| Horizontal                | <b>D</b>     | (EEA)          |
| SMD                       | <b>E</b>     | (EEC)          |
| Horizontal, 2-Pin Tab     | <b>M</b>     | (EEM)          |
| SMD, 2-Pin Tab            | <b>L</b>     | (EEL)          |
| Horizontal, 2-Pin Ext Tab | <b>Q</b>     | (EEQ)          |
| SMD, 2-Pin Ext Tab        | <b>F</b>     | (EEF)          |
| Vertical, Side Tab        | <b>R</b>     | (EEE)          |
| Horizontal, Side Tab      | <b>G</b>     | (EEG)          |
| SMD, Side Tab             | <b>B</b>     | (EEK)          |

\* Previously known as package styles 400/410.

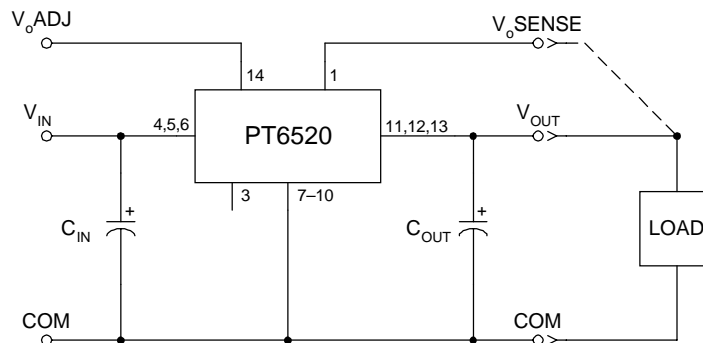
(Reference the applicable package code drawing for the dimensions and PC board layout)

### Pin-Out Information

| Pin | Function                |
|-----|-------------------------|
| 1   | Remote Sense            |
| 2   | Do Not Connect          |
| 3   | STBY*                   |
| 4   | V <sub>in</sub>         |
| 5   | V <sub>in</sub>         |
| 6   | V <sub>in</sub>         |
| 7   | GND                     |
| 8   | GND                     |
| 9   | GND                     |
| 10  | GND                     |
| 11  | V <sub>out</sub>        |
| 12  | V <sub>out</sub>        |
| 13  | V <sub>out</sub>        |
| 14  | V <sub>out</sub> Adjust |

\* For further information, see application notes.

### Standard Application



# PT6520 Series

## 8-A 5-V/3.3-V Input Adjustable ISR with Short-Circuit protection

### Specifications (Unless otherwise stated, $T_a = 25^\circ\text{C}$ , $V_{in} = 5\text{V}$ , $C_{in} = 330\mu\text{F}$ , $C_{out} = 330\mu\text{F}$ , and $I_o = I_{o,max}$ )

| Characteristic                                  | Symbol                     | Conditions   | PT6520 SERIES  |                    |                     | Units            |   |
|---|----------------------------|--|--|--------------------|---------------------|------------------|---|
|   |                            |  | Min  | Typ                | Max                 |                  |   |
| Output Current                                  | $I_o$                      | Over $V_{in}$ range  | 0.1 <sup>(1)</sup>                                   | —                  | 8.0                 | A                |   |
| Input Voltage Range                             | $V_{in}$                   | Over $I_o$ Range   | $V_o = 3.3\text{V}$<br>3.1<br>$V_o \leq 2.5\text{V}$ | —                  | 5.5<br>5.5          | VDC              |   |
| Set Point Voltage Tolerance                     | $V_o \text{ tol}$          |  | —  | $\pm 1$            | $\pm 1.5$           | % $V_o$          |   |
| Temperature Variation                           | $\text{Reg}_{\text{temp}}$ | $-40^\circ \leq T_a \leq +85^\circ\text{C}$ , $I_o = I_{o,min}$                | —  | $\pm 0.5$          | —                   | % $V_o$          |   |
| Line Regulation                                 | $\text{Reg}_{\text{line}}$ | Over $V_{in}$ range  | —  | $\pm 5$            | $\pm 10$            | mV               |   |
| Load Regulation                                 | $\text{Reg}_{\text{load}}$ | Over $I_o$ range   | —  | $\pm 5$            | $\pm 10$            | mV               |   |
| Total Output Voltage Variation                  | $\Delta V_{o,tot}$         | Includes set-point, line, load,<br>$-40^\circ \leq T_a \leq +85^\circ\text{C}$ | —  | $\pm 2$            | $\pm 3$             | % $V_o$          |   |
| Efficiency                                      | $\eta$                     | $I_o = 3.0\text{A}$  | $V_o = 3.3\text{V}$                                  | —                  | 92                  | —                | % |
|   |                            |  | $V_o = 2.5\text{V}$                                  | —                  | 88                  | —                |   |
|   |                            |  | $V_o = 2.1\text{V}$                                  | —                  | 85                  | —                |   |
|   |                            |  | $V_o = 1.8\text{V}$                                  | —                  | 82                  | —                |   |
|   |                            |  | $V_o = 1.5\text{V}$                                  | —                  | 80                  | —                |   |
|   |                            |  | $V_o = 1.2\text{V}$                                  | —                  | 75                  | —                |   |
|   |                            | $I_o = 8.0\text{A}$  | $V_o = 3.3\text{V}$                                  | —                  | 89                  | —                | % |
|   |                            |  | $V_o = 2.5\text{V}$                                  | —                  | 85                  | —                |   |
|   |                            |  | $V_o = 2.1\text{V}$                                  | —                  | 82                  | —                |   |
|   |                            |  | $V_o = 1.8\text{V}$                                  | —                  | 78                  | —                |   |
|   |                            |  | $V_o = 1.5\text{V}$                                  | —                  | 75                  | —                |   |
|   |                            |  | $V_o = 1.2\text{V}$                                  | —                  | 71                  | —                |   |
| $V_o$ Ripple (pk-pk)                            | $V_r$                      | 20MHz bandwidth  | —  | 35                 | —                   | mV <sub>pp</sub> |   |
| Transient Response                              | $t_{tr}$                   | 1A/ $\mu\text{s}$ load step, 50% to 100% $I_{o,max}$                           | —  | 50                 | —                   | $\mu\text{s}$    |   |
|   | $\Delta V_{tr}$            | $V_o$ over/undershoot  | —  | $\pm 70$           | —                   | mV               |   |
| Short Circuit Threshold                         | $I_{sc}$ threshold         |  | —  | 12                 | 22.5                | A                |   |
| Switching Frequency                             | $f_s$                      | Over $V_{in}$ and $I_o$ range  | 300  | 350                | 400                 | kHz              |   |
| Remote On/Off (Pin 1)                           |                            | Referenced to $-V_{in}$ (pin 7)  |  |                    |                     |                  |   |
| Input High Voltage                              | $V_{IH}$                   |  | —  | —                  | Open <sup>(2)</sup> | V                |   |
| Input Low Voltage                               | $V_{IL}$                   |  | -0.1   | —                  | +0.4                |                  |   |
| Input Low Current                               | $I_{IL}$                   |  | —  | -0.5               | —                   | mA               |   |
| Standby Input Current                           | $I_{in, standby}$          | pins 3 & 7 connected   | —  | 15                 | 25                  | mA               |   |
| External Output Capacitance                     | $C_{out}$                  | See application schematic  | 330  | —                  | 5,000               | $\mu\text{F}$    |   |
| External Input Capacitance                      | $C_{in}$                   | See application schematic  | 330  | —                  | —                   | $\mu\text{F}$    |   |
| Operating Temperature Range                     | $T_a$                      | Over $V_{in}$ range  | -40  | —                  | +85 <sup>(3)</sup>  | $^\circ\text{C}$ |   |
| Storage Temperature                             | $T_s$                      | —  | -40  | —                  | +125                | $^\circ\text{C}$ |   |
| Reliability                                     | MTBF                       | Per Bellcore TR-332<br>50% stress, $T_a = 40^\circ\text{C}$ , ground benign    | 6.3  | —                  | —                   | $10^6$ Hrs       |   |
| Mechanical Shock                                | —                          | Per Mil-Std-883D, method 2002.3,<br>1ms, half-sine, mounted to a fixture       | —  | 500                | —                   | G's              |   |
| Mechanical Vibration<br>Mil-Std-883D, 20-2000Hz | —                          | Suffixes P, D, & E<br>Suffixes L & M   | —  | 7.5                | —                   | G's              |   |
|   |                            |  | —  | TBD <sup>(4)</sup> | —                   |                  |   |
| Weight  | —                          | Suffixes P, D, & E<br>Suffixes R, G & B<br>Suffixes L & M<br>Suffixes Q & F    | —  | 12.5               | —                   | grams            |   |
|   |                            |  | —  | 16.5               | —                   |                  |   |
|   |                            |  | —  | 15.25              | —                   |                  |   |
|   |                            |  | —  | 22                 | —                   |                  |   |
| Flammability                                    | —                          | Materials meet UL 94V-0  |  |                    |                     |                  |   |

**Notes:** (1) The ISR will operate at no load with reduced specifications.

(2) The STBY\* control (pin 3) has an internal pull-up and if it is left open circuit the module will operate when input power is applied. The open-circuit voltage is typically 12.6V, and maybe as high as 15V. Refer to the application notes for other interface considerations.

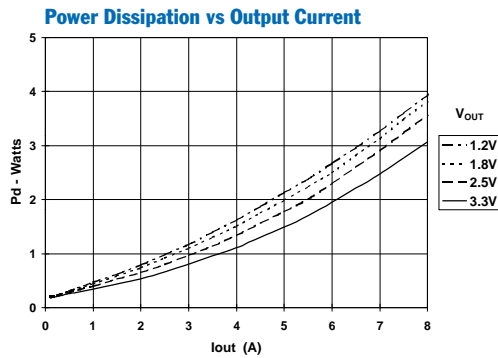
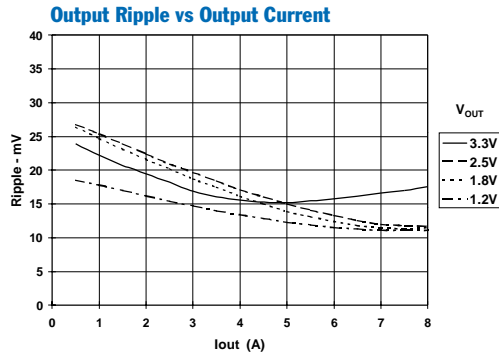
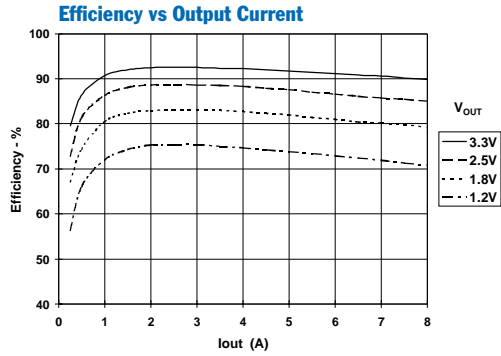
(3) See Safe Operating Area curves or contact the factory for the appropriate derating.

(4) The tab pins on the 16-pin mount package types (suffixes L & M) must be soldered. For more information see the applicable package outline drawing.

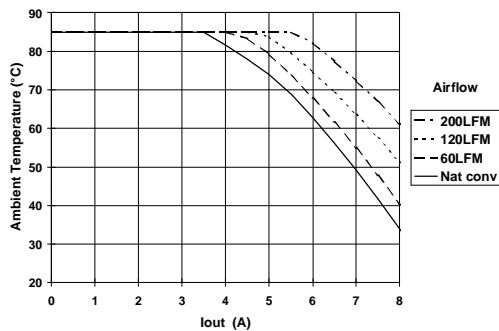
**Input/Output Capacitors:** The PT6520 series requires a 330 $\mu\text{F}$  capacitor at both the input and output for proper operation in all applications. In addition, the input capacitance ( $C_{in}$ ) must be rated for a minimum of 1.2Arms ripple current rating. For transient or dynamic load applications, additional output capacitance ( $C_{out}$ ) may be necessary. The maximum allowable output capacitance is 5,000 $\mu\text{F}$ . For more information consult the related application note on capacitor recommendations.

8-A 5-V/3.3-V Input Adjustable ISR with Short-Circuit protection

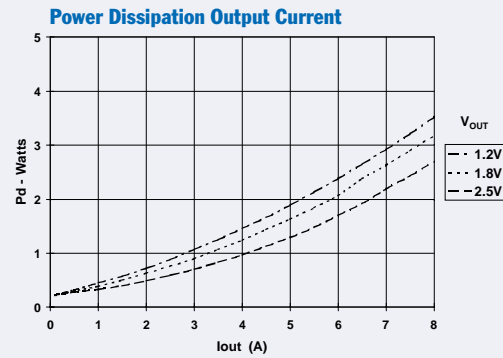
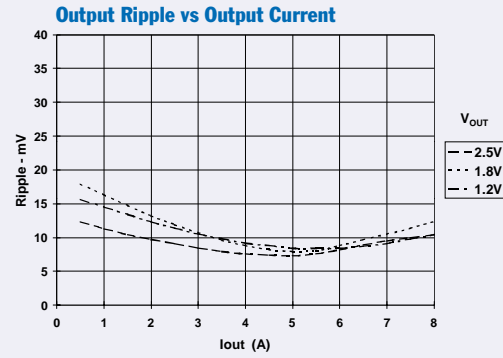
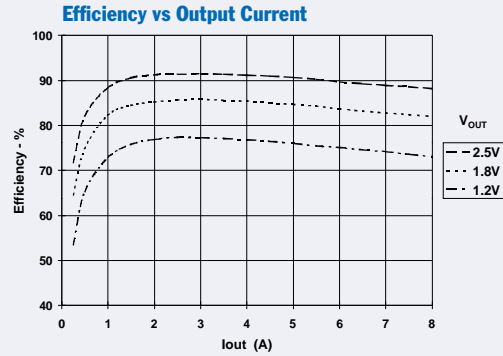
Characteristic Data;  $V_{in} = 5.0V$  (See Note A)



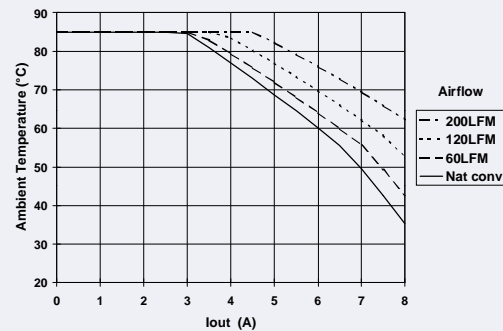
Safe Operating Area;  $V_{in} = 5V$  (See Note B)



Characteristic Data;  $V_{in} = 3.3V$  (See Note A)



Safe Operating Area;  $3.3V$  (See Note B)



Note A: Characteristic data has been developed from actual products tested at 25°C. This data is considered typical data for the Converter.  
 Note B: SOA curves represent the conditions at which internal components are at or below the manufacturer's maximum operating temperatures

### Using the Standby Function of the PT6520 Series of Integrated Switching Regulators

The PT6520 series of power modules are high efficiency regulators that operate off either a 3.3V or 5V input bus voltage. These regulators incorporate a *Standby* function, which may be used in applications that require power-up/shutdown sequencing, and wherever there is a requirement for the output status of the module to be controlled by external circuitry.

The standby function is provided by the *STBY*\* control, pin 3. If pin 3 is left open-circuit<sup>1</sup> the regulator operates normally, and provides a regulated output when a valid supply voltage is applied to  $V_{in}$  (pins 4–6) with respect to GND (pins 7–10). If a low voltage<sup>2</sup> is then applied to pin 3 the regulator output will be disabled and the input current drawn by the ISR will be reduced to about 15mA<sup>3</sup>. The standby control may also be used to hold-off the regulator output during the period that input power is applied.

Pin 3 is ideally controlled with an open-collector (or open-drain) discrete transistor (See Figure 1). The open-circuit voltage is typically 12.6V. Table 1 gives the circuit parameters for this control input.

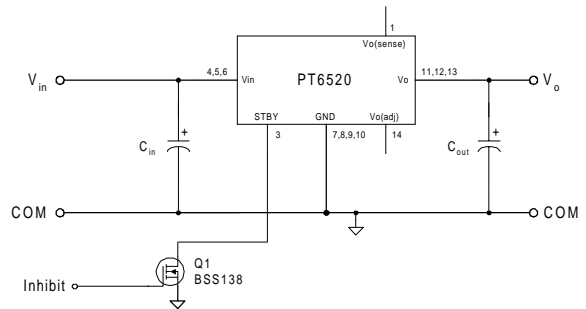
**Table 1 Standby Control Requirements**<sup>(2, 3)</sup>

| Parameter                  | Min   | Typ    | Max   |
|----------------------------|-------|--------|-------|
| Input Low ( $V_{IL}$ )     | -0.1V |        | +0.4V |
| $I_{stby}$ (pin 3 =ground) |       | -0.5mA |       |
| $V_{stby}$ (open circuit)  |       | 12.6V  | 15V   |

#### Notes:

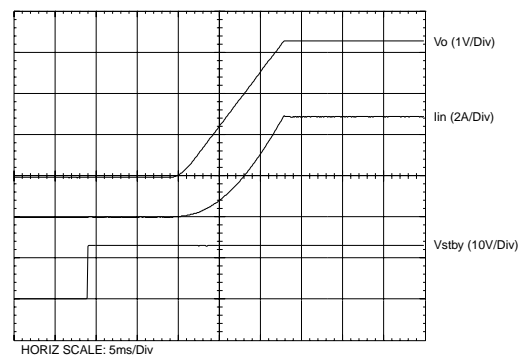
- 1 The standby control input requires no external pull-up resistor. The open-circuit voltage of the *STBY*\* pin is typically 12.6V.
- 2 The standby control input is Not compatible with TTL or other devices that incorporate a totem-pole output drive. Use only a true open-collector device, preferably a discrete bipolar transistor (or MOSFET). To ensure the regulator output is disabled, the control pin must be pulled to less than 0.4Vdc with a low-level 0.5mA sink to ground.
- 3 When the regulator output is disabled the current drawn from the input source is typically reduced to 15mA.

**Figure 1**



**Turn-On Time:** In the circuit of Figure 1, turning  $Q_1$  on applies a low voltage to the *STBY* control (pin 3) and disables the regulator output. Correspondingly, turning  $Q_1$  off removes the low-voltage signal and enables the output. Once enabled, the output will typically experience a 10–15ms delay followed by a predictable ramp-up of voltage. The regulator should provide a fully regulated output voltage within 40ms. The waveform of Figure 2 shows the output voltage and input current waveforms of a PT6521 (3.3V) following the turn-off of  $Q_1$ . The turn off of  $Q_1$  corresponds to the rise in  $V_{stby}$ . The waveforms were measured with a 5Vdc input voltage, and 4.5A resistive load.

**Figure 2**



## Adjusting the Output Voltage of the PT6520 Series of Integrated Switching Regulators

The output voltage of the PT6520 series of integrated switching regulators (ISRs) may be adjusted higher or lower than the factory trimmed pre-set voltage with the addition of a single external resistor. <sup>1</sup> Table 1 gives the allowable adjustment range for each model in the series as  $V_a$  (min) and  $V_a$  (max).

**Adjust Up:** An increase in the output voltage is obtained by adding a resistor  $R_2$ , between pin 14 ( $V_o$  adjust) and pins 7-10 (GND).

**Adjust Down:** Add a resistor ( $R_1$ ), between pin 14 ( $V_o$  adjust) and pin 1 ( $V_o$ (sense)) <sup>3</sup>.

Refer to Figure 1 and Table 2 for both the placement and value of the required resistor, either ( $R_1$ ) or  $R_2$  as appropriate.

The values of ( $R_1$ ) [adjust down], and  $R_2$  [adjust up], can also be calculated using the following formulas.

$$(R_1) = \frac{R_o (V_a - V_r)}{V_o - V_a} - R_s \quad \text{k}\Omega$$

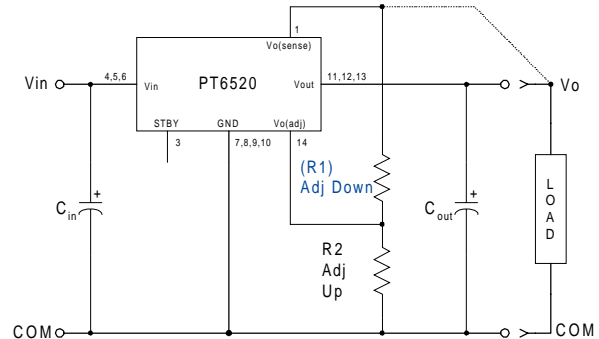
$$R_2 = \frac{R_o \cdot V_r}{V_a - V_o} - R_s \quad \text{k}\Omega$$

Where:  $V_o$  = Original output voltage  
 $V_a$  = Adjusted output voltage  
 $V_r$  = The reference voltage (Table 1)  
 $R_o$  = The multiplier resistance (Table 1)  
 $R_s$  = The internal series resistance (Table 1)

**Table 1**

| ADJUSTMENT AND FORMULA PARAMETERS |        |        |        |        |        |        |
|-----------------------------------|--------|--------|--------|--------|--------|--------|
| Series Pt #                       | PT6527 | PT6522 | PT6526 | PT6525 | PT6523 | PT6521 |
| $V_o$ (nom)                       | 1.2    | 1.5    | 1.8    | 2.1    | 2.5    | 3.3    |
| $V_a$ (min)                       | 1.09   | 1.47   | 1.75   | 1.95   | 2.25   | 2.75   |
| $V_a$ (max)                       | 1.52   | 1.73   | 2.05   | 2.45   | 2.85   | 3.75   |
| $V_r$ (V)                         | 0.8    | 1.27   | 1.27   | 1.27   | 1.27   | 1.27   |
| $R_o$ (k $\Omega$ )               | 10.0   | 10.2   | 10.0   | 10.0   | 10.0   | 10.0   |
| $R_s$ (k $\Omega$ )               | 24.9   | 49.9   | 49.9   | 33.2   | 33.2   | 24.9   |

**Figure 1**



**Notes:**

1. Use only a single 1% resistor in either the ( $R_1$ ) or  $R_2$  location. Place the resistor as close to the ISR as possible.
2. Never connect capacitors from  $V_o$  adjust to either GND,  $V_{out}$ , or the Remote Sense pin. Capacitance added to the  $V_o$  adjust pin will affect the stability of the ISR.
3. If the Remote Sense feature is not being used, the resistor ( $R_1$ ) may be connected between pin 14 ( $V_o$  adjust) and pins 11–13 ( $V_{out}$ ).
4. Adjusting the output voltage of the PT6523 (2.5V model) higher than the factory pre-trimmed output voltage may increase the minimum input voltage specified for the part. This model must comply with the following requirements.

**PT6523:**

$V_{in}(\text{min}) = (V_a + 0.5)V$  or 3.1V, whichever is greater.

PT6520 Series

**Table 2**

**PT6520 ADJUSTMENT RESISTOR VALUES**

| Series Pt #                  | PT6527   | PT6522   | PT6526   | PT6525       | PT6523    | Series Pt #                  | PT6521    |
|------------------------------|----------|----------|----------|--------------|-----------|------------------------------|-----------|
| <b>V<sub>o</sub> (nom)</b>   | 1.2V     | 1.5V     | 1.8V     | 2.1V         | 2.5V      | <b>V<sub>o</sub> (nom)</b>   | 3.3V      |
| <b>V<sub>a</sub> (req'd)</b> |          |          |          |              |           | <b>V<sub>a</sub> (req'd)</b> |           |
| 1.1                          | (5.1)kΩ  |          |          |              |           | 2.75                         | (2.0)kΩ   |
| 1.15                         | (45.1)kΩ |          |          |              |           | 2.8                          | (5.7)kΩ   |
| 1.2                          |          |          |          |              |           | 2.85                         | (10.2)kΩ  |
| 1.25                         | 135.0kΩ  |          |          |              |           | 2.9                          | (15.9)kΩ  |
| 1.3                          | 55.1kΩ   |          |          |              |           | 2.95                         | (23.1)kΩ  |
| 1.35                         | 28.4kΩ   |          |          |              |           | 3.0                          | (32.8)kΩ  |
| 1.4                          | 15.1kΩ   |          |          |              |           | 3.05                         | (46.3)kΩ  |
| 1.45                         | 7.1kΩ    |          |          |              |           | 3.1                          | (66.6)kΩ  |
| 1.47                         | 4.7kΩ    | (18.1)kΩ |          |              |           | 3.15                         | (100.0)kΩ |
| 1.5                          | 1.8kΩ    |          |          |              |           | 3.2                          | (168.0)kΩ |
| 1.55                         |          | 209.0kΩ  |          |              |           | 3.25                         | (371.0)kΩ |
| 1.6                          |          | 79.6kΩ   |          |              |           | 3.3                          |           |
| 1.65                         |          | 36.5kΩ   |          |              |           | 3.35                         | 229.0kΩ   |
| 1.7                          |          | 14.9kΩ   |          |              |           | 3.4                          | 102.0kΩ   |
| 1.75                         |          |          | (46.1)kΩ |              |           | 3.45                         | 59.8kΩ    |
| 1.8                          |          |          |          |              |           | 3.5                          | 38.6kΩ    |
| 1.85                         |          |          | 204.0kΩ  |              |           | 3.55                         | 25.9kΩ    |
| 1.9                          |          |          | 77.1kΩ   |              |           | 3.6                          | 17.4kΩ    |
| 1.95                         |          |          | 34.8kΩ   | (12.1)kΩ     |           | 3.65                         | 11.4kΩ    |
| 2.0                          |          |          | 13.6kΩ   | (39.8)kΩ     |           | 3.7                          | 6.9kΩ     |
| 2.05                         |          |          |          | (123.0)kΩ    |           | 3.75                         | 3.3kΩ     |
| 2.1                          |          |          |          |              |           |                              |           |
| 2.15                         |          |          |          | 221.kΩ       |           |                              |           |
| 2.2                          |          |          |          | 93.8kΩ       |           |                              |           |
| 2.25                         |          |          |          | 51.5kΩ       | (6.0)kΩ   |                              |           |
| 2.3                          |          |          |          | 30.3kΩ       | (18.3)kΩ  |                              |           |
| 2.35                         |          |          |          | 17.6kΩ       | (38.8)kΩ  |                              |           |
| 2.4                          |          |          |          | 9.1kΩ        | (79.8)kΩ  |                              |           |
| 2.45                         |          |          |          | 3.1kΩ        | (203.0)kΩ |                              |           |
| 2.5                          |          |          |          |              |           |                              |           |
| 2.55                         |          |          |          |              | 221.0kΩ   |                              |           |
| 2.6                          |          |          |          |              | 93.8kΩ    |                              |           |
| 2.65                         |          |          |          | (See Note 4) | 51.5kΩ    |                              |           |
| 2.7                          |          |          |          |              | 30.3kΩ    |                              |           |
| 2.75                         |          |          |          |              | 17.6kΩ    |                              |           |
| 2.8                          |          |          |          |              | 9.1kΩ     |                              |           |
| 2.85                         |          |          |          |              | 3.1kΩ     |                              |           |

R1 = (Blue) R2 = Black

## Capacitor Recommendations for the PT6520 Series of Integrated Switching Regulators

### Input Capacitors:

The recommended input capacitance is determined by 1.0 ampere minimum ripple current rating and 330µF minimum capacitance (300µF for Oscon® or low ESR tantalum). Ripple current and <100mΩ equivalent series resistance (ESR) values are the major considerations, along with temperature, when designing with different types of capacitors. Tantalum capacitors have a recommended minimum voltage rating of 2× the maximum DC voltage + AC ripple. This is necessary to insure reliability for input voltage bus applications

### Output Capacitors:

The ESR of the required capacitor ( $C_{out}$ ) must not be greater than 150mΩ. Electrolytic capacitors have poor ripple performance at frequencies greater than 400kHz but excellent low frequency transient response. Above the ripple frequency, ceramic capacitors are necessary to improve the transient response and reduce any high frequency noise components apparent during higher current excursions. Preferred low ESR type capacitor part numbers are identified in Table 1.

### Tantalum Capacitors

Tantalum type capacitors may be used for the output but only the AVX TPS series, Sprague 593D/594/595 series or Kemet T495/T510 series. These capacitors are recommended over many other tantalum types due to their higher rated surge, power dissipation, and ripple current capability. As a caution the TAJ series by AVX is not recommended. This series has considerably higher ESR, reduced power dissipation, and lower ripple current capability. The TAJ series is less reliable than the AVX TPS series when determining power dissipation capability. Tantalum or Oscon® types are recommended for applications where ambient temperatures fall below 0°C.

### Capacitor Table

Table 1 identifies the characteristics of capacitors from a number of vendors with acceptable ESR and ripple current (rms) ratings. The number of capacitors required at both the input and output buses is identified for each capacitor type.

*This is not an extensive capacitor list. Capacitors from other vendors are available with comparable specifications. Those listed are for guidance. The RMS ripple current rating and ESR (Equivalent Series Resistance at 100kHz) are critical parameters necessary to insure both optimum regulator performance and long capacitor life.*

**Table 1: Input/Output Capacitors**

| Capacitor Vendor/<br>Component Series | Capacitor Characteristics |           |                                    |                                   |                   | Quantity  |            | Vendor Number                 |
|---------------------------------------|---------------------------|-----------|------------------------------------|-----------------------------------|-------------------|-----------|------------|-------------------------------|
|                                       | Working Voltage           | Value(µF) | (ESR) Equivalent Series Resistance | 85°C Maximum Ripple Current(Irms) | Physical Size(mm) | Input Bus | Output Bus |                               |
| Panasonic FC                          | 25V                       | 560µF     | 0.0065Ω                            | 1205mA                            | 12.5x15           | 1         | 1          | EEUFC1E561S                   |
|                                       | 35V                       | 390µF     | 0.065Ω                             | 1205mA                            | 12.5x15           | 2         | 1          | EEUFC1V391S                   |
|                                       | 35V                       | 330µF     | 0.117Ω                             | 555mA                             | 8x11.5            | N/R       | 1          | EEUFC1C331                    |
| United Chemi-Con LXV/FS/LXZ           | 16V                       | 330µF     | 0.120Ω                             | 555mA                             | 8x12              | N/R       | 1          | LXZ16VB331M8X12LL             |
|                                       | 35V                       | 470µF     | 0.052Ω                             | 1220mA                            | 10x20             | 1         | 1          | LXZ35VB471M10X20LL            |
|                                       | 10V                       | 330µF     | 0.025Ω                             | 3500mA                            | 10x10.5           | 1         | 1          | 10FS330M                      |
|                                       | 20V                       | 150µF     | 0.030+2 Ω                          | 3200mA                            | 10x10.5           | 2         | 2          | 20FS150M                      |
| Nichicon PL/ PM                       | 35V                       | 560µF     | 0.048Ω                             | 1360mA                            | 16x15             | 1         | 1          | UPL1V561MHH6                  |
|                                       | 35V                       | 330µF     | 0.065+2 Ω                          | 1020mA                            | 12.5x15           | 1         | 1          | UPL1V331MHH6                  |
|                                       | 50V                       | 470µF     | 0.046Ω                             | 1470mA                            | 18x15             | 1         | 1          | UPM1H4711MHH6                 |
| Panasonic FC (Surface Mtg)            | 10V                       | 1000µF    | 0.043Ω                             | 1205mA                            | 12x16.5           | 1         | 1          | EEVFC1A102LQ                  |
|                                       | 35V                       | 330µF     | 0.065Ω                             | 1205mA                            | 12.5x16           | 1         | 1          | EEVFC1V331LQ                  |
|                                       | 16V                       | 330µF     | 0.150Ω                             | 670mA                             | 10x10.2           | N/R       | 1          | EEVFC1C331P                   |
| Oscon- SS SV                          | 10V                       | 330µF     | 0.025Ω                             | >3500mA                           | 10.0x10.5         | 1         | 1          | 10SS330M                      |
|                                       | 10V                       | 330µF     | 0.025Ω                             | >3800mA                           | 10.3x10.3         | 1         | 1          | 10SV300M                      |
|                                       | 20V                       | 150µF     | 0.024+2 Ω                          | 3600mA                            | 10.3x10.3         | 2         | 2          | 20SV150M<br>SV= Surface Mount |
| AVX Tantalum TPS                      | 10V                       | 330µF     | 0.100+2 Ω                          | >2500mA                           | 7.3Lx             | 2         | 1          | TPSV337M010R0100              |
|                                       | 10V                       | 330µF     | 0.100+2 Ω                          | >3000mA                           | 4.3Wx             | 2         | 1          | TPSV337M010R0060              |
|                                       | 10V                       | 220µF     | 0.095Ω                             | >2000mA                           | 4.1H              | 2         | 2          | TPSV227M0105R0100             |
| Kemet T510/T495                       | 10V                       | 330µF     | 0.033Ω                             | 1400mA                            | 7.3Lx5.7W         | 2         | 1          | T510X337M010AS                |
|                                       | 10V                       | 220µF     | 0.07Ω+2 =0.035Ω                    | >2000mA                           | x 4.0H            | 2         | 2          | T495X227M010AS                |
| Sprague 594D                          | 10V                       | 330µF     | 0.045Ω                             | 2350mA                            | 7.3Lx             | 2         | 1          | 4D337X0010R2T                 |
|                                       | 10V                       | 220µF     | 0.065Ω                             | >2000mA                           | 6.0Wx<br>4.1H     | 2         | 2          | 594D227X0010D2T               |

N/R –Not recommended. The ripple current rating and ESR does not meet the requirements.

**PACKAGING INFORMATION**

| Orderable Device | Status <sup>(1)</sup> | Package Type | Package Drawing | Pins | Package Qty | Eco Plan <sup>(2)</sup> | Lead/Ball Finish | MSL Peak Temp <sup>(3)</sup> |
|------------------|-----------------------|--------------|-----------------|------|-------------|-------------------------|------------------|------------------------------|
| PT6521B          | NRND                  | SIP MOD ULE  | EEK             | 14   | 12          | TBD                     | Call TI          | Level-1-215C-UNLIM           |
| PT6521D          | NRND                  | SIP MOD ULE  | EEA             | 14   | 12          | TBD                     | Call TI          | Level-1-215C-UNLIM           |
| PT6521E          | NRND                  | SIP MOD ULE  | EEC             | 14   | 12          | TBD                     | Call TI          | Level-1-215C-UNLIM           |
| PT6521ET         | NRND                  | SIP MOD ULE  | EEL             | 14   | 100         | TBD                     | Call TI          | Level-1-235C-UNLIM           |
| PT6521F          | NRND                  | SIP MOD ULE  | EEF             | 14   |             | TBD                     | Call TI          | Call TI                      |
| PT6521G          | NRND                  | SIP MOD ULE  | EEG             | 14   | 12          | TBD                     | Call TI          | Level-1-215C-UNLIM           |
| PT6521L          | NRND                  | SIP MOD ULE  | EEL             | 14   | 12          | TBD                     | Call TI          | Level-1-215C-UNLIM           |
| PT6521LT         | NRND                  | SIP MOD ULE  | EEL             | 14   | 100         | TBD                     | Call TI          | Level-1-235C-UNLIM           |
| PT6521M          | NRND                  | SIP MOD ULE  | EEM             | 14   | 12          | TBD                     | Call TI          | Level-1-215C-UNLIM           |
| PT6521P          | NRND                  | SIP MOD ULE  | EED             | 14   | 12          | TBD                     | Call TI          | Level-1-215C-UNLIM           |
| PT6521Q          | NRND                  | SIP MOD ULE  | EEQ             | 14   |             | TBD                     | Call TI          | Call TI                      |
| PT6521R          | NRND                  | SIP MOD ULE  | EEE             | 14   | 12          | TBD                     | Call TI          | Level-1-215C-UNLIM           |
| PT6522B          | NRND                  | SIP MOD ULE  | EEK             | 14   | 12          | TBD                     | Call TI          | Level-1-215C-UNLIM           |
| PT6522D          | NRND                  | SIP MOD ULE  | EEA             | 14   | 12          | TBD                     | Call TI          | Level-1-215C-UNLIM           |
| PT6522E          | NRND                  | SIP MOD ULE  | EEC             | 14   | 12          | TBD                     | Call TI          | Level-1-215C-UNLIM           |
| PT6522ET         | NRND                  | SIP MOD ULE  | EEL             | 14   |             | TBD                     | Call TI          | Call TI                      |
| PT6522F          | NRND                  | SIP MOD ULE  | EEF             | 14   |             | TBD                     | Call TI          | Call TI                      |
| PT6522G          | NRND                  | SIP MOD ULE  | EEG             | 14   | 12          | TBD                     | Call TI          | Level-1-215C-UNLIM           |
| PT6522L          | NRND                  | SIP MOD ULE  | EEL             | 14   | 12          | TBD                     | Call TI          | Level-1-215C-UNLIM           |
| PT6522LT         | NRND                  | SIP MOD ULE  | EEL             | 14   | 100         | TBD                     | Call TI          | Call TI                      |
| PT6522M          | NRND                  | SIP MOD ULE  | EEM             | 14   |             | TBD                     | Call TI          | Call TI                      |
| PT6522P          | NRND                  | SIP MOD ULE  | EED             | 14   | 12          | TBD                     | Call TI          | Level-1-215C-UNLIM           |
| PT6522Q          | NRND                  | SIP MOD ULE  | EEQ             | 14   |             | TBD                     | Call TI          | Call TI                      |
| PT6522R          | NRND                  | SIP MOD ULE  | EEE             | 14   | 12          | TBD                     | Call TI          | Level-1-215C-UNLIM           |
| PT6523B          | NRND                  | SIP MOD ULE  | EEK             | 14   |             | TBD                     | Call TI          | Call TI                      |



| Orderable Device | Status <sup>(1)</sup> | Package Type | Package Drawing | Pins | Package Qty | Eco Plan <sup>(2)</sup> | Lead/Ball Finish | MSL Peak Temp <sup>(3)</sup> |
|------------------|-----------------------|--------------|-----------------|------|-------------|-------------------------|------------------|------------------------------|
| PT6523D          | NRND                  | SIP MOD ULE  | EEA             | 14   | 12          | TBD                     | Call TI          | Level-1-215C-UNLIM           |
| PT6523E          | NRND                  | SIP MOD ULE  | EEC             | 14   | 12          | TBD                     | Call TI          | Level-1-215C-UNLIM           |
| PT6523ET         | NRND                  | SIP MOD ULE  | EEL             | 14   | 100         | TBD                     | Call TI          | Level-1-215C-UNLIM           |
| PT6523F          | NRND                  | SIP MOD ULE  | EEF             | 14   |             | TBD                     | Call TI          | Call TI                      |
| PT6523G          | NRND                  | SIP MOD ULE  | EEG             | 14   |             | TBD                     | Call TI          | Call TI                      |
| PT6523L          | NRND                  | SIP MOD ULE  | EEL             | 14   |             | TBD                     | Call TI          | Call TI                      |
| PT6523LT         | NRND                  | SIP MOD ULE  | EEL             | 14   | 100         | TBD                     | Call TI          | Level-1-215C-UNLIM           |
| PT6523M          | NRND                  | SIP MOD ULE  | EEM             | 14   |             | TBD                     | Call TI          | Call TI                      |
| PT6523P          | NRND                  | SIP MOD ULE  | EED             | 14   | 12          | TBD                     | Call TI          | Level-1-215C-UNLIM           |
| PT6523Q          | NRND                  | SIP MOD ULE  | EEQ             | 14   |             | TBD                     | Call TI          | Call TI                      |
| PT6523R          | NRND                  | SIP MOD ULE  | EEE             | 14   |             | TBD                     | Call TI          | Call TI                      |
| PT6525B          | NRND                  | SIP MOD ULE  | EEK             | 14   |             | TBD                     | Call TI          | Call TI                      |
| PT6525D          | NRND                  | SIP MOD ULE  | EEA             | 14   | 12          | TBD                     | Call TI          | Level-1-215C-UNLIM           |
| PT6525E          | NRND                  | SIP MOD ULE  | EEC             | 14   |             | TBD                     | Call TI          | Call TI                      |
| PT6525F          | NRND                  | SIP MOD ULE  | EEF             | 14   |             | TBD                     | Call TI          | Call TI                      |
| PT6525G          | NRND                  | SIP MOD ULE  | EEG             | 14   |             | TBD                     | Call TI          | Call TI                      |
| PT6525L          | NRND                  | SIP MOD ULE  | EEL             | 14   |             | TBD                     | Call TI          | Call TI                      |
| PT6525M          | NRND                  | SIP MOD ULE  | EEM             | 14   |             | TBD                     | Call TI          | Call TI                      |
| PT6525P          | NRND                  | SIP MOD ULE  | EED             | 14   |             | TBD                     | Call TI          | Call TI                      |
| PT6525Q          | NRND                  | SIP MOD ULE  | EEQ             | 14   |             | TBD                     | Call TI          | Call TI                      |
| PT6525R          | NRND                  | SIP MOD ULE  | EEE             | 14   |             | TBD                     | Call TI          | Call TI                      |
| PT6526B          | NRND                  | SIP MOD ULE  | EEK             | 14   | 12          | TBD                     | Call TI          | Level-1-215C-UNLIM           |
| PT6526D          | NRND                  | SIP MOD ULE  | EEA             | 14   | 12          | TBD                     | Call TI          | Level-1-215C-UNLIM           |
| PT6526E          | NRND                  | SIP MOD ULE  | EEC             | 14   | 12          | TBD                     | Call TI          | Level-1-215C-UNLIM           |
| PT6526ET         | NRND                  | SIP MOD ULE  | EEL             | 14   | 100         | TBD                     | Call TI          | Level-1-215C-UNLIM           |
| PT6526F          | NRND                  | SIP MOD ULE  | EEF             | 14   | 12          | TBD                     | Call TI          | Level-1-215C-UNLIM           |

| Orderable Device | Status <sup>(1)</sup> | Package Type | Package Drawing | Pins | Package Qty | Eco Plan <sup>(2)</sup> | Lead/Ball Finish | MSL Peak Temp <sup>(3)</sup> |
|------------------|-----------------------|--------------|-----------------|------|-------------|-------------------------|------------------|------------------------------|
| PT6526G          | NRND                  | SIP MOD ULE  | EEG             | 14   | 12          | TBD                     | Call TI          | Level-1-215C-UNLIM           |
| PT6526L          | NRND                  | SIP MOD ULE  | EEL             | 14   | 12          | TBD                     | Call TI          | Level-1-215C-UNLIM           |
| PT6526LT         | NRND                  | SIP MOD ULE  | EEL             | 14   | 100         | TBD                     | Call TI          | Level-1-215C-UNLIM           |
| PT6526M          | NRND                  | SIP MOD ULE  | EEM             | 14   |             | TBD                     | Call TI          | Call TI                      |
| PT6526P          | NRND                  | SIP MOD ULE  | EED             | 14   | 12          | TBD                     | Call TI          | Level-1-215C-UNLIM           |
| PT6526Q          | NRND                  | SIP MOD ULE  | EEQ             | 14   |             | TBD                     | Call TI          | Call TI                      |
| PT6526R          | NRND                  | SIP MOD ULE  | EEE             | 14   | 12          | TBD                     | Call TI          | Level-1-215C-UNLIM           |
| PT6527B          | NRND                  | SIP MOD ULE  | EEK             | 14   | 12          | TBD                     | Call TI          | Level-1-215C-UNLIM           |
| PT6527D          | NRND                  | SIP MOD ULE  | EEA             | 14   |             | TBD                     | Call TI          | Call TI                      |
| PT6527E          | NRND                  | SIP MOD ULE  | EEC             | 14   | 12          | TBD                     | Call TI          | Level-1-215C-UNLIM           |
| PT6527F          | NRND                  | SIP MOD ULE  | EEF             | 14   | 12          | TBD                     | Call TI          | Level-1-215C-UNLIM           |
| PT6527G          | NRND                  | SIP MOD ULE  | EEG             | 14   | 12          | TBD                     | Call TI          | Level-1-215C-UNLIM           |
| PT6527L          | NRND                  | SIP MOD ULE  | EEL             | 14   |             | TBD                     | Call TI          | Call TI                      |
| PT6527M          | NRND                  | SIP MOD ULE  | EEM             | 14   |             | TBD                     | Call TI          | Call TI                      |
| PT6527P          | NRND                  | SIP MOD ULE  | EED             | 14   | 12          | TBD                     | Call TI          | Level-1-215C-UNLIM           |
| PT6527Q          | NRND                  | SIP MOD ULE  | EEQ             | 14   |             | TBD                     | Call TI          | Call TI                      |
| PT6527R          | NRND                  | SIP MOD ULE  | EEE             | 14   |             | TBD                     | Call TI          | Call TI                      |

<sup>(1)</sup> The marketing status values are defined as follows:

**ACTIVE:** Product device recommended for new designs.

**LIFEBUY:** TI has announced that the device will be discontinued, and a lifetime-buy period is in effect.

**NRND:** Not recommended for new designs. Device is in production to support existing customers, but TI does not recommend using this part in a new design.

**PREVIEW:** Device has been announced but is not in production. Samples may or may not be available.

**OBSOLETE:** TI has discontinued the production of the device.

<sup>(2)</sup> Eco Plan - The planned eco-friendly classification: Pb-Free (RoHS) or Green (RoHS & no Sb/Br) - please check <http://www.ti.com/productcontent> for the latest availability information and additional product content details.

**TBD:** The Pb-Free/Green conversion plan has not been defined.

**Pb-Free (RoHS):** TI's terms "Lead-Free" or "Pb-Free" mean semiconductor products that are compatible with the current RoHS requirements for all 6 substances, including the requirement that lead not exceed 0.1% by weight in homogeneous materials. Where designed to be soldered at high temperatures, TI Pb-Free products are suitable for use in specified lead-free processes.

**Green (RoHS & no Sb/Br):** TI defines "Green" to mean Pb-Free (RoHS compatible), and free of Bromine (Br) and Antimony (Sb) based flame retardants (Br or Sb do not exceed 0.1% by weight in homogeneous material)

<sup>(3)</sup> MSL, Peak Temp. -- The Moisture Sensitivity Level rating according to the JEDEC industry standard classifications, and peak solder temperature.

**Important Information and Disclaimer:**The information provided on this page represents TI's knowledge and belief as of the date that it is provided. TI bases its knowledge and belief on information provided by third parties, and makes no representation or warranty as to the accuracy of such information. Efforts are underway to better integrate information from third parties. TI has taken and continues to take reasonable steps to provide representative and accurate information but may not have conducted destructive testing or chemical analysis on incoming materials and chemicals. TI and TI suppliers consider certain information to be proprietary, and thus CAS numbers and other limited information may not be available for release.

In no event shall TI's liability arising out of such information exceed the total purchase price of the TI part(s) at issue in this document sold by TI to Customer on an annual basis.

## IMPORTANT NOTICE

Texas Instruments Incorporated and its subsidiaries (TI) reserve the right to make corrections, modifications, enhancements, improvements, and other changes to its products and services at any time and to discontinue any product or service without notice. Customers should obtain the latest relevant information before placing orders and should verify that such information is current and complete. All products are sold subject to TI's terms and conditions of sale supplied at the time of order acknowledgment.

TI warrants performance of its hardware products to the specifications applicable at the time of sale in accordance with TI's standard warranty. Testing and other quality control techniques are used to the extent TI deems necessary to support this warranty. Except where mandated by government requirements, testing of all parameters of each product is not necessarily performed.

TI assumes no liability for applications assistance or customer product design. Customers are responsible for their products and applications using TI components. To minimize the risks associated with customer products and applications, customers should provide adequate design and operating safeguards.

TI does not warrant or represent that any license, either express or implied, is granted under any TI patent right, copyright, mask work right, or other TI intellectual property right relating to any combination, machine, or process in which TI products or services are used. Information published by TI regarding third-party products or services does not constitute a license from TI to use such products or services or a warranty or endorsement thereof. Use of such information may require a license from a third party under the patents or other intellectual property of the third party, or a license from TI under the patents or other intellectual property of TI.

Reproduction of information in TI data books or data sheets is permissible only if reproduction is without alteration and is accompanied by all associated warranties, conditions, limitations, and notices. Reproduction of this information with alteration is an unfair and deceptive business practice. TI is not responsible or liable for such altered documentation.

Resale of TI products or services with statements different from or beyond the parameters stated by TI for that product or service voids all express and any implied warranties for the associated TI product or service and is an unfair and deceptive business practice. TI is not responsible or liable for any such statements.

Following are URLs where you can obtain information on other Texas Instruments products and application solutions:

| <b>Products</b>  |  | <b>Applications</b> |  |
|------------------|--|---------------------|--|
| Amplifiers       | <a href="http://amplifier.ti.com">amplifier.ti.com</a>             | Audio               | <a href="http://www.ti.com/audio">www.ti.com/audio</a>                   |
| Data Converters  | <a href="http://dataconverter.ti.com">dataconverter.ti.com</a>     | Automotive          | <a href="http://www.ti.com/automotive">www.ti.com/automotive</a>         |
| DSP              | <a href="http://dsp.ti.com">dsp.ti.com</a>                         | Broadband           | <a href="http://www.ti.com/broadband">www.ti.com/broadband</a>           |
| Interface        | <a href="http://interface.ti.com">interface.ti.com</a>             | Digital Control     | <a href="http://www.ti.com/digitalcontrol">www.ti.com/digitalcontrol</a> |
| Logic            | <a href="http://logic.ti.com">logic.ti.com</a>                     | Military            | <a href="http://www.ti.com/military">www.ti.com/military</a>             |
| Power Mgmt       | <a href="http://power.ti.com">power.ti.com</a>                     | Optical Networking  | <a href="http://www.ti.com/opticalnetwork">www.ti.com/opticalnetwork</a> |
| Microcontrollers | <a href="http://microcontroller.ti.com">microcontroller.ti.com</a> | Security            | <a href="http://www.ti.com/security">www.ti.com/security</a>             |
|                  |  | Telephony           | <a href="http://www.ti.com/telephony">www.ti.com/telephony</a>           |
|                  |  | Video & Imaging     | <a href="http://www.ti.com/video">www.ti.com/video</a>                   |
|                  |  | Wireless            | <a href="http://www.ti.com/wireless">www.ti.com/wireless</a>             |

Mailing Address: Texas Instruments  
Post Office Box 655303 Dallas, Texas 75265