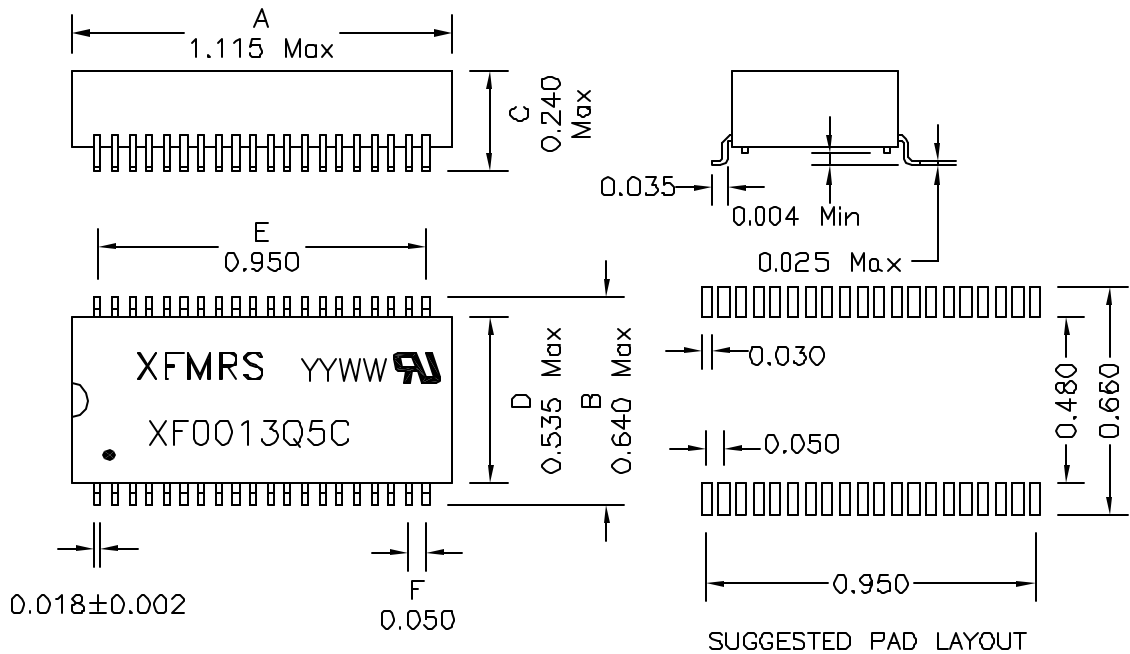
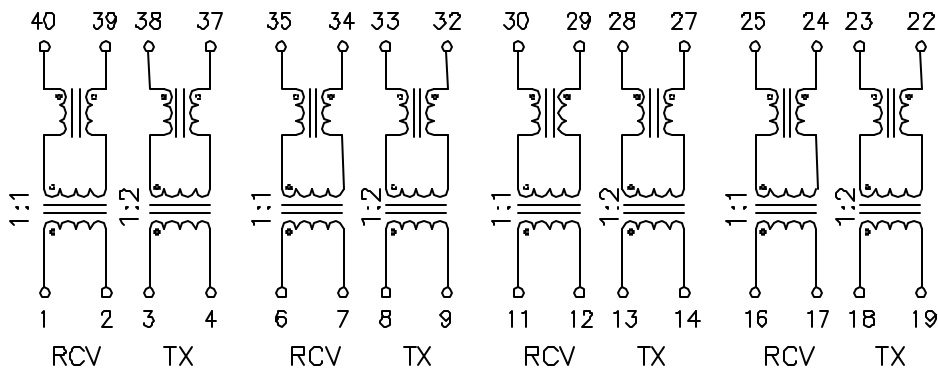


1. Mechanical Dimensions:



2. Schematic:



DOC REV: A/4

3. Electrical Specifications: @25°C

Isolation: 1500Vrms, PRI to SEC

TX Turns Ratio: 1:2 (PRI:SEC)

RCV Turns Ratio: 1:1 (PRI:SEC)

PRI OCL: 1.50mH Typical @100KHz 50mV

Cw/w: 35pF Max @100KHz 50mV (PRI/SEC)

PRI LL: 0.5uH Max @100KHz 50mV,

Short SEC

Pri DCR: 0.80 Ohms Max

Crosstalk: -60dB Typ (0.5 to 5MHz)

CHOKE OCL: 30uH Typ @100KHz 50mV

Notes:

1. Solderability: Leads shall meet MIL-STD-202G, Method 208H for solderability.
2. Flammability: UL94V-D
3. ASTM oxygen index: > 28%
4. Insulation System: Class F 155°C, UL file E151556
5. Operating Temperature Range: All listed parameters are to be within tolerance from -40°C to +85°C
6. Storage Temperature Range: -55°C to +125°C
7. Aqueous wash compatible
8. SMD Lead Coplanarity: ±0.004"(0.102mm)
9. Electrical and mechanical specifications 100% tested
10. RoHS Compliant Component

XFMRs Inc www.XFMRs.com		Title: T1/E1/CEPT QUAD PORT	
UNLESS OTHERWISE SPECIFIED TOLERANCES: .xxx ±0.010		P/N: XF0013Q5C	REV. A
Dimensions in INCH		DWN. Juan Mao	Jul-03-08
SHEET 1 OF 1		CHK. YK Liao	Jul-03-08
		APP. BW	Jul-03-08