

8Mbit 1.8V SPI Serial Flash

SST25WF080



Advance Information

FEATURES:

- **Single Voltage Read and Write Operations**
 - 1.65-1.95V
- **Serial Interface Architecture**
 - SPI Compatible: Mode 0 and Mode 3
- **High Speed Clock Frequency**
 - 75 MHz
- **Superior Reliability**
 - Endurance: 100,000 Cycles (typical)
 - Greater than 100 years Data Retention
- **Ultra-Low Power Consumption:**
 - Active Read Current: 2 mA (typical @ 33 MHz)
 - Standby Current: 5 μ A (typical)
- **Flexible Erase Capability**
 - Uniform 4 KByte sectors
 - Uniform 32 KByte overlay blocks
 - Uniform 64 KByte overlay blocks
- **Fast Erase and Byte-Program:**
 - Chip-Erase Time: 35 ms (typical)
 - Sector-/Block-Erase Time: 18 ms (typical)
 - Byte-Program Time: 14 μ S (typical)
- **Auto Address Increment (AAI) Programming**
 - Decrease total chip programming time over Byte-Program operations
- **End-of-Write Detection**
 - Software polling the BUSY bit in Status Register
 - Busy Status readout on SO pin
- **Reset Pin (RST#) or Programmable Hold Pin (HOLD#) option**
 - Hardware Reset pin as default
 - Hold pin option to suspend a serial sequence without deselecting the device
- **Write Protection (WP#)**
 - Enables/Disables the Lock-Down function of the status register
- **Software Write Protection**
 - Write protection through Block-Protection bits in status register
- **Temperature Range**
 - Industrial: -40°C to +85°C
- **Packages Available**
 - 8-lead SOIC (150 mils)
 - 8-bump XFBGA
- **All devices are RoHS compliant**

PRODUCT DESCRIPTION

The SST25WF080 is a member of the Serial Flash 25 Series family and features a four-wire, SPI-compatible interface that allows for a low pin-count package which occupies less board space and ultimately lowers total system costs. SST25WF080 SPI serial flash memory is manufactured with SST proprietary, high-performance CMOS SuperFlash technology. The split-gate cell design and thick-oxide tunneling injector attain better reliability and manufacturability compared with alternate approaches.

The SST25WF080 significantly improves performance and reliability, while lowering power consumption. The device writes (Program or Erase) with a single power supply of

1.65-1.95V for SST25WF080. The total energy consumed is a function of the applied voltage, current, and time of application. Since for any given voltage range, the SuperFlash technology uses less current to program and has a shorter erase time, the total energy consumed during any Erase or Program operation is less than alternative flash memory technologies.

The SST25WF080 is offered in both an 8-lead, 150 mils SOIC package and an 8-bump XFBGA package. See Figures 2 and 3 for the pin assignments.

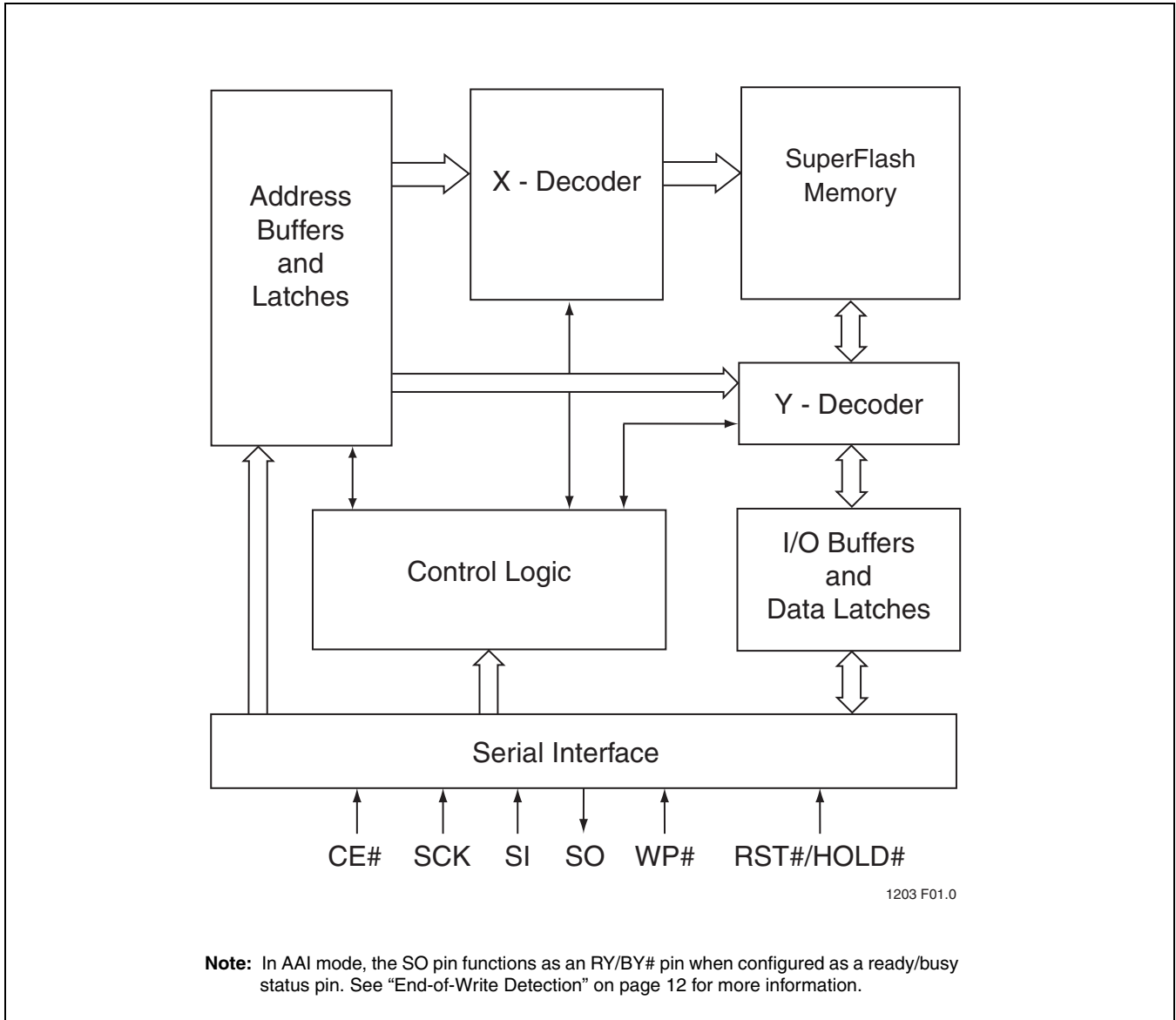


FIGURE 1: Functional Block Diagram

PIN DESCRIPTION

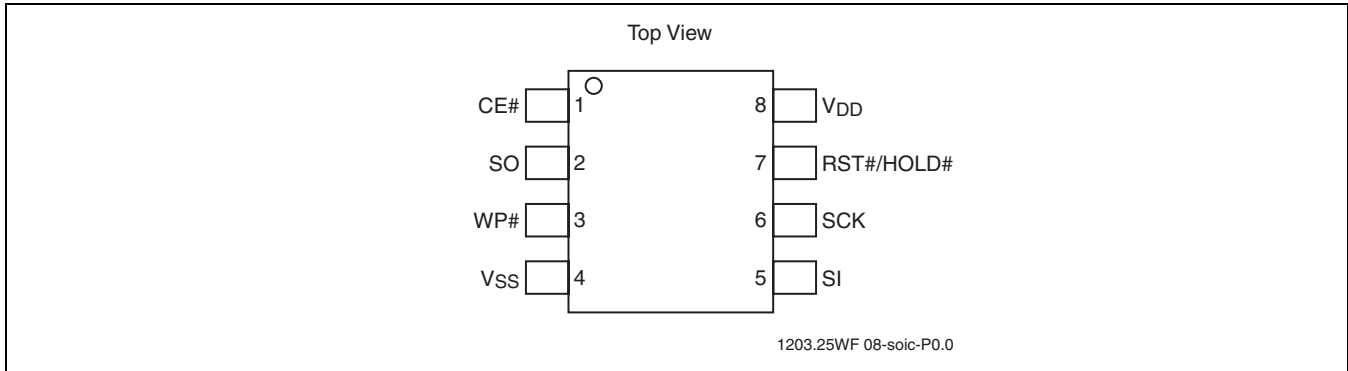


FIGURE 2: Pin Assignment for 8-Lead SOIC

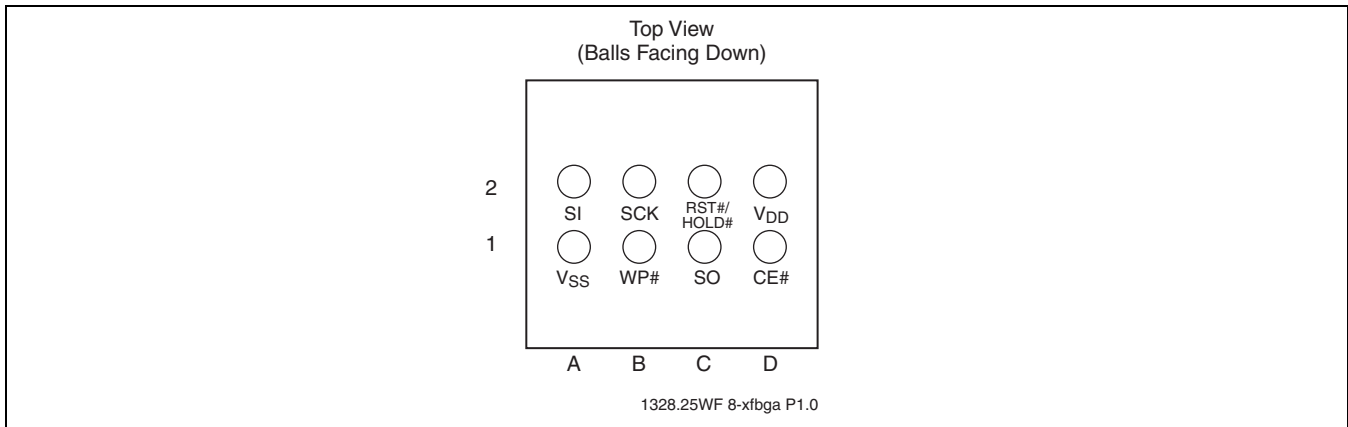


FIGURE 3: Pin Assignment for 8-bump XFBGA

TABLE 1: Pin Description

Symbol	Pin Name	Functions
SCK	Serial Clock	To provide the timing of the serial interface. Commands, addresses, or input data are latched on the rising edge of the clock input, while output data is shifted out on the falling edge of the clock input.
SI	Serial Data Input	To transfer commands, addresses, or data serially into the device. Inputs are latched on the rising edge of the serial clock.
SO	Serial Data Output	To transfer data serially out of the device. Data is shifted out on the falling edge of the serial clock. Flash busy status pin in AAI mode if SO is configured as a hardware RY/BY# pin. See "End-of-Write Detection" on page 12 for more information.
CE#	Chip Enable	The device is enabled by a high to low transition on CE#. CE# must remain low for the duration of any command sequence.
WP#	Write Protect	The Write Protect (WP#) pin is used to enable/disable BPL bit in the status register.
RST#/HOLD#	Reset	To reset the operation of the device and the internal logic. The device powers on with RST# pin functionality as default.
	Hold	To temporarily stop serial communication with SPI Flash memory while device is selected. This is selected by an instruction sequence; see "Reset/Hold Mode" on page 5.
V _{DD}	Power Supply	To provide power supply voltage: 1.65-1.95V for SST25WF080
V _{SS}	Ground	

T1.0 1203



Advance Information

MEMORY ORGANIZATION

The SST25WF080 SuperFlash memory arrays are organized in uniform 4 KByte sectors with 16 KByte, 32 KByte, and 64 KByte overlay erasable blocks.

DEVICE OPERATION

The SST25WF080 are accessed through the SPI (Serial Peripheral Interface) bus compatible protocol. The SPI bus consist of four control lines; Chip Enable (CE#) is used to select the device, and data is accessed through the Serial Data Input (SI), Serial Data Output (SO), and Serial Clock (SCK).

The SST25WF080 support both Mode 0 (0,0) and Mode 3 (1,1) of SPI bus operations. The difference between the two modes, as shown in Figure 4, is the state of the SCK signal when the bus master is in Stand-by mode and no data is being transferred. The SCK signal is low for Mode 0 and SCK signal is high for Mode 3. For both modes, the Serial Data In (SI) is sampled at the rising edge of the SCK clock signal and the Serial Data Output (SO) is driven after the falling edge of the SCK clock signal.

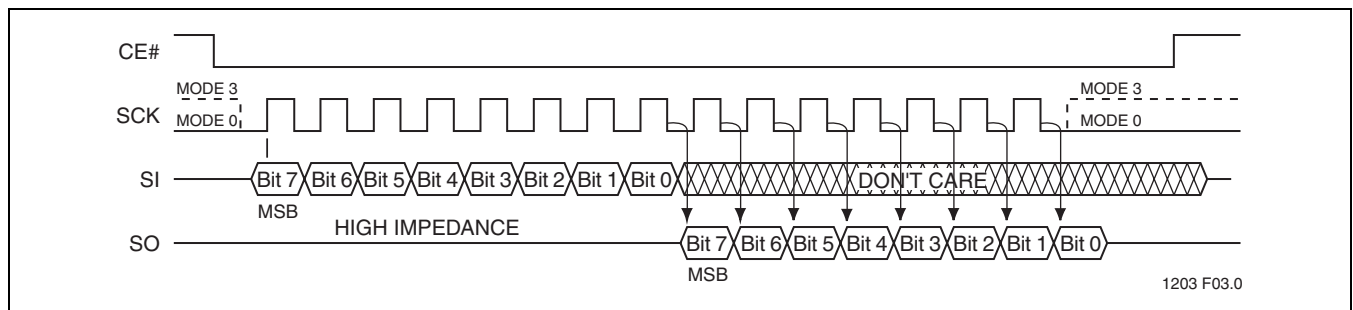


FIGURE 4: SPI Protocol

Reset/Hold Mode

The RST#/HOLD# pin provides either a hardware reset or a hold pin. From power-on, the RST#/HOLD# pin defaults as a hardware reset pin (RST#). The Hold mode for this pin is a user selected option where an Enable-Hold instruction enables the Hold mode. Once selected as a hold pin (HOLD#), the RST#/HOLD# pin will be configured as a HOLD# pin, and goes back to RST# pin only after a power-off and power-on sequence.

Reset

If the RST#/HOLD# pin is used as a reset pin, RST# pin provides a hardware method for resetting the device. Driving the RST# pin high puts the device in normal operating

mode. The RST# pin must be driven low for a minimum of T_{RST} time to reset the device. The SO pin is in high impedance state while the device is in reset. A successful reset will reset the status register to its power-up state. See Table 4 for default power-up modes. A device reset during an active Program or Erase operation aborts the operation and data of the targeted address range may be corrupted or lost due to the aborted erase or program operation. The device exits AAI Programming Mode in progress and places the SO pin in high impedance state.

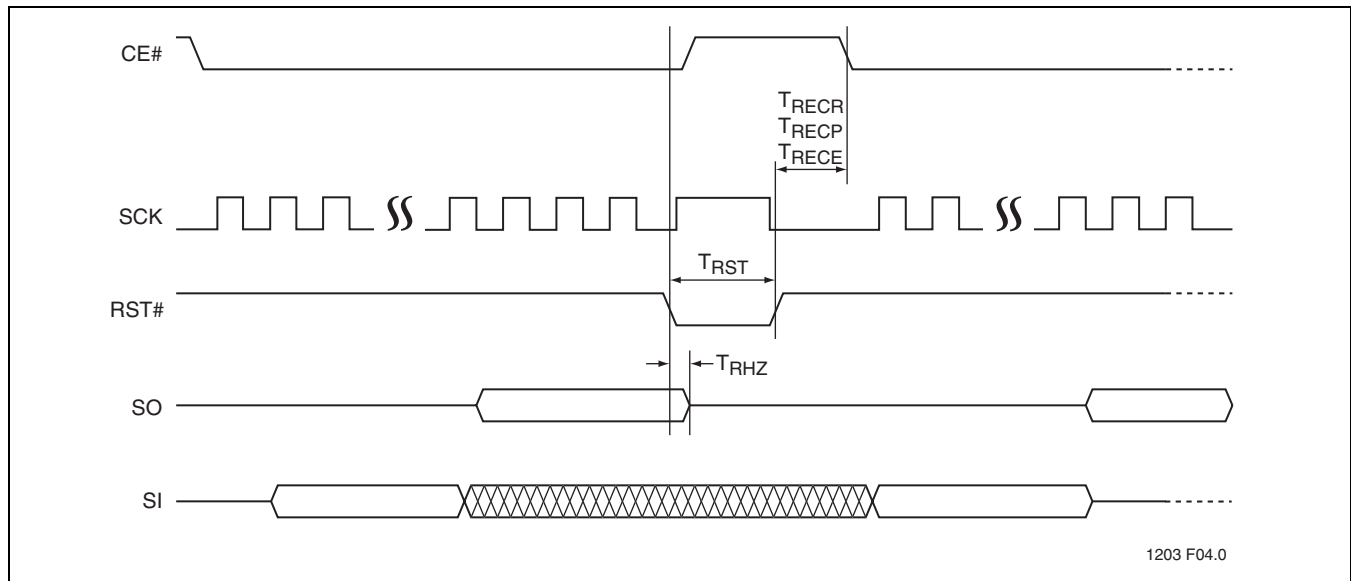


FIGURE 5: Reset Timing Diagram

TABLE 2: Reset Timing Parameters

Symbol	Parameter	Min	Max	Units
T_{RST}^1	Reset Pulse Width	100		ns
T_{RHZ}	Reset to High-Z Output		107	ns
T_{RECR}	Reset Recovery from Read		100	ns
T_{RECP}	Reset Recovery from Program		10	μ s
T_{RECE}	Reset Recovery from Erase		1	ms

1. For reset while in a Programming or Erase mode, the reset pulse must be $>5\mu$ s

T2.1203



Advance Information

Hold

The Hold operation enables the hold pin functionality of the RST#/HOLD# pin. Once set to hold pin mode, the RST#/HOLD# pin continues functioning as a hold pin until the device is powered off and then powered on. After a power-off and power-on, the pin functionality returns to a reset pin (RST#) mode. See “Enable-Hold (EHL D)” on page 18 for detailed timing of the Hold instruction.

In the hold mode, serial sequences underway with the SPI Flash memory are paused without resetting the clocking sequence. To activate the HOLD# mode, CE# must be in active low state. The HOLD# mode begins when the SCK active low state coincides with the falling edge of the HOLD# signal. The Hold mode ends when the rising edge of the HOLD# signal coincides with the SCK active low state. If the falling edge of the HOLD# signal does not coincide with the SCK active low state, then the device enters

Hold mode when the SCK next reaches the active low state. Similarly, if the rising edge of the HOLD# signal does not coincide with the SCK active low state, then the device exits Hold mode when the SCK next reaches the active low state. See Figure 6 for Hold Condition waveform.

Once the device enters Hold mode, SO will be in high-impedance state while SI and SCK can be V_{IL} or V_{IH} .

If CE# is driven active high during a Hold condition, the device returns to standby mode. The device can then be re-initiated with the command sequences listed in Table 6. As long as HOLD# signal is low, the memory remains in the Hold condition. To resume communication with the device, HOLD# must be driven active high, and CE# must be driven active low. See Figure 6 for Hold timing.

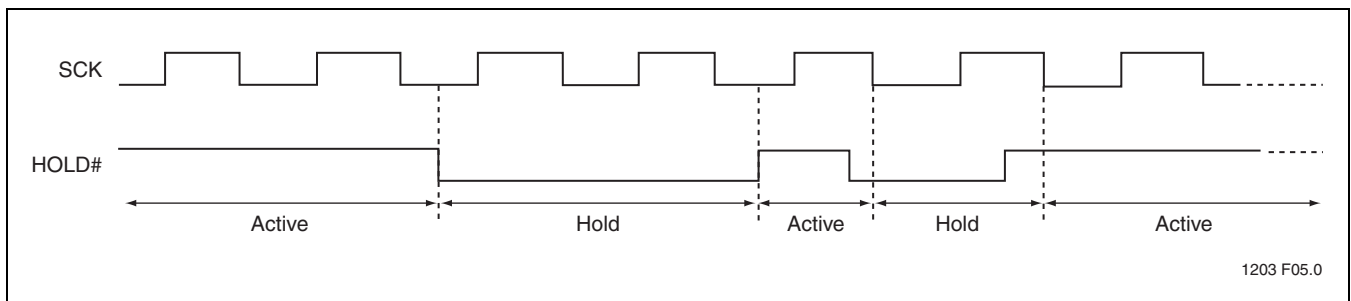


FIGURE 6: Hold Condition Waveform

Write Protection

SST25WF080 provide software Write protection. The Write Protect pin (WP#) enables or disables the lock-down function of the status register. The Block-Protection bits (BP3, BP2, BP1, BP0, and BPL) in the status register provide Write protection to the memory array and the status register. See Table 5 for the Block-Protection description.

Write Protect Pin (WP#)

The Write Protect (WP#) pin enables the lock-down function of the BPL bit (bit 7) in the status register. When WP# is driven low, the execution of the Write-Status-Register (WRSR) instruction is determined by the value of the BPL bit (see Table 3). When WP# is high, the lock-down function of the BPL bit is disabled.

TABLE 3: Conditions to execute Write-Status-Register (WRSR) Instruction

WP#	BPL	Execute WRSR Instruction
L	1	Not Allowed
L	0	Allowed
H	X	Allowed

T3.0 1203



8Mbit 1.8V SPI Serial Flash

SST25WF080

Advance Information

Status Register

The software status register provides status on whether the flash memory array is available for any Read or Write operation, whether the device is Write enabled, and the state of the Memory Write protection. During an internal Erase or

Program operation, the status register may be read only to determine the completion of an operation in progress. Table 4 describes the function of each bit in the software status register.

TABLE 4: Software Status Register

Bit	Name	Function	Default at Power-up	Read/Write
0	BUSY	1 = Internal Write operation is in progress 0 = No internal Write operation is in progress	0	R
1	WEL	1 = Device is memory Write enabled 0 = Device is not memory Write enabled	0	R
2	BP0	Indicate current level of block write protection (See Table 5)	1	R/W
3	BP1	Indicate current level of block write protection (See Table 5)	1	R/W
4	BP2	Indicate current level of block write protection (See Table 5)	1	R/W
5	BP3	Indicate current level of block write protection (See Table 5)	0	R/W
6	AAI	Auto Address Increment Programming status 1 = AAI programming mode 0 = Byte-Program mode	0	R
7	BPL	1 = BP3, BP2, BP1 and BP0 are read-only bits 0 = BP3, BP2, BP1 and BP0 are read/writable	0	R/W

T4.1 1203

Busy

The Busy bit determines whether there is an internal Erase or Program operation in progress. A '1' for the Busy bit indicates the device is busy with an operation in progress. A '0' indicates the device is ready for the next valid operation.

Auto Address Increment (AAI)

The Auto Address Increment Programming-Status bit provides status on whether the device is in AAI programming mode or Byte-Program mode. The default at power up is Byte-Program mode.

Write Enable Latch (WEL)

The Write-Enable-Latch bit indicates the status of the internal Write-Enable-Latch memory. If the WEL bit is set to '1', it indicates the device is Write enabled. If the bit is set to '0' (reset), it indicates the device is not Write enabled and does not accept any Write (Program/Erase) commands. The Write-Enable-Latch bit is automatically reset under the following conditions:

- Device Reset
- Power-up
- Write-Disable (WRDI) instruction completion
- Byte-Program instruction completion
- Auto Address Increment (AAI) programming is completed or reached its highest unprotected memory address
- Sector-Erase instruction completion
- Block-Erase instruction completion
- Chip-Erase instruction completion
- Write-Status-Register instructions



Advance Information

Block-Protection (BP3, BP2, BP1, BP0)

The Block-Protection (BP3, BP2, BP1, BP0) bits define the size of the memory area to be software protected against any memory Write (Program or Erase) operation, see Table 5. The Write-Status-Register (WRSR) instruction is used to program the BP3, BP2, BP1 and BP0 bits as long as WP# is high or the Block-Protect-Lock (BPL) bit is '0'. Chip-Erase can only be executed if Block-Protection bits are all '0'. After power-up, BP3, BP2, BP1 and BP0 are set to defaults. See Table 4 for defaults at power-up.

Block Protection Lock-Down (BPL)

When the WP# pin is driven low (V_{IL}), it enables the Block-Protection-Lock-Down (BPL) bit. When BPL is set to '1', it prevents any further alteration of the BPL, BP3, BP2, BP1, and BP0 bits. When the WP# pin is driven high (V_{IH}), the BPL bit has no effect and its value is 'Don't Care'. After power-up, the BPL bit is reset to '0'.

TABLE 5: Software Status Register Block Protection for SST25WF080

Protection Level	Status Register Bit				Protected Memory Address
	BP3 ¹	BP2 ²	BP1 ²	BP0 ²	8 Mbit
None	X	0	0	0	None
1 (Upper 16th Memory, Blocks 30 and 31)	X	0	0	1	F0000H-FFFFFH
2 (Upper 8th Memory, Blocks 28 to 31)	X	0	1	0	E0000H-FFFFFH
3 (Upper Quarter Memory, Blocks 24 to 31)	X	0	1	1	C0000H-FFFFFH
4 (Upper Half Memory, Blocks 16 to 31)	X	1	0	0	80000H-FFFFFH
5 (Full Memory, Blocks 0 to 31)	X	1	0	1	00000H-FFFFFH
	X	1	1	0	
	X	1	1	1	

T5.1 1203

1. X = Don't Care (Reserved), default is '0'.
2. Default at power-up for BP2, BP1 and BP0 is '11'.



8Mbit 1.8V SPI Serial Flash SST25WF080

Advance Information

INSTRUCTIONS

Instructions are used to read, write (Erase and Program), and configure the SST25WF080. The instruction bus cycles are 8 bits each for commands (Op Code), data, and addresses. The Write-Enable (WREN) instruction must be executed prior to Byte-Program, Auto Address Increment (AAI) programming, Sector-Erase, Block-Erase, Write-Status-Register, or Chip-Erase instructions. The complete instructions are provided in Table 6. All instructions are synchronized off a high-to-low transition of CE#. Inputs will be accepted on the rising edge of SCK starting with the most

significant bit. CE# must be driven low before an instruction is entered and must be driven high after the last bit of the instruction has been shifted in (except for Read, Read-ID, and Read-Status-Register instructions). Any low-to-high transition on CE#, before receiving the last bit of an instruction bus cycle, will terminate the instruction in progress and return the device to standby mode. Instruction commands (Op Code), addresses, and data are all input from the most significant bit (MSB) first.

TABLE 6: Device Operation Instructions for SST25WF080

Instruction	Description	Op Code Cycle ¹	Address Cycle(s) ²	Dummy Cycle(s)	Data Cycle(s)	Maximum Frequency
Read	Read Memory	0000 0011b (03H)	3	0	1 to ∞	33 MHz
High-Speed Read	Read Memory at Higher Speed	0000 1011b (0BH)	3	1	1 to ∞	75 MHz
4 KByte Sector-Erase ³	Erase 4 KByte of memory array	0010 0000b (20H)	3	0	0	
32 KByte Block-Erase ⁴	Erase 32 KByte block of memory array	0101 0010b (52H)	3	0	0	
64 KByte Block-Erase ⁵	Erase 64 KByte block of memory array	1101 1000b (D8H)	3	0	0	
Chip-Erase	Erase Full Memory Array	0110 0000b (60H) or 1100 0111b (C7H)	0	0	0	
Byte-Program	To Program One Data Byte	0000 0010b (02H)	3	0	1	
AAI-Word-Program ⁶	Auto Address Increment Programming	1010 1101b (ADH)	3	0	2 to ∞	
RDSR ⁷	Read-Status-Register	0000 0101b (05H)	0	0	1 to ∞	
EWSR ⁸	Enable-Write-Status-Register	0110 0000b (50H)	0	0	0	
WRSR	Write-Status-Register	0000 0001b (01H)	0	0	1	
WREN ⁸	Write-Enable	0000 0110b (06H)	0	0	0	
WRDI	Write-Disable	0000 0100b (04H)	0	0	0	
RDID ⁹	Read-ID	1001 0000b (90H) or 1010 1011b (ABH)	3	0	1 to ∞	
EBSY	Enable SO to output RY/BY# status during AAI programming	0111 0000b (70H)	0	0	0	
DBSY	Disable SO to output RY/BY# status during AAI programming	1000 0000b (80H)	0	0	0	
JEDEC-ID	JEDEC ID read	1001 1111b (9FH)	0	0	3 to ∞	
EHLD	Enable HOLD# pin functionality of the RST#/HOLD# pin	1010 1010b (AAH)	0	0	0	

T6.0 1203

1. One bus cycle is eight clock periods.
2. Address bits above the most significant bit of each density can be V_{IL} or V_{IH}.
3. 4 KByte Sector-Erase addresses: use A_{MS}-A₁₂, remaining addresses are don't care but must be set either at V_{IL} or V_{IH}.
4. 32 KByte Block-Erase addresses: use A_{MS}-A₁₅, remaining addresses are don't care but must be set either at V_{IL} or V_{IH}.
5. 64 KByte Block-Erase addresses: use A_{MS}-A₁₆, remaining addresses are don't care but must be set either at V_{IL} or V_{IH}.
6. To continue programming to the next sequential address location, enter the 8-bit command, ADH, followed by 2 bytes of data to be programmed. Data Byte 0 will be programmed into the initial address [A₂₃-A₁] with A₀=0, Data Byte 1 will be programmed into the initial address [A₂₃-A₁] with A₀ = 1.
7. The Read-Status-Register is continuous with ongoing clock cycles until terminated by a low to high transition on CE#.
8. Either EWSR or WREN followed by WRSR will write to the Status register. The EWSR-WRSR sequence provides backward compatibility to the SST25VF/LF series. The WREN-WRSR sequence is recommended for new designs.
9. Manufacturer's ID is read with A₀=0, and Device ID is read with A₀=1. All other address bits are 00H. The Manufacturer's ID and device ID output stream is continuous until terminated by a low-to-high transition on CE#.



Advance Information

Read (33 MHz)

The Read instruction, 03H, supports up to 33 MHz Read. The device outputs a data stream starting from the specified address location. The data stream is continuous through all addresses until terminated by a low-to-high transition on CE#. The internal address pointer automatically increments until the highest memory address is reached. Once the highest memory address is reached, the address pointer automatically increments to the beginning (wrap-

around) of the address space. For example, for 8 Mbit density, once the data from the address location FFFFFH is read, the next output is from address location 000000H. The Read instruction is initiated by executing an 8-bit command, 03H, followed by address bits $A_{23}-A_0$. CE# must remain active low for the duration of the Read cycle. See Figure 7 for the Read sequence.

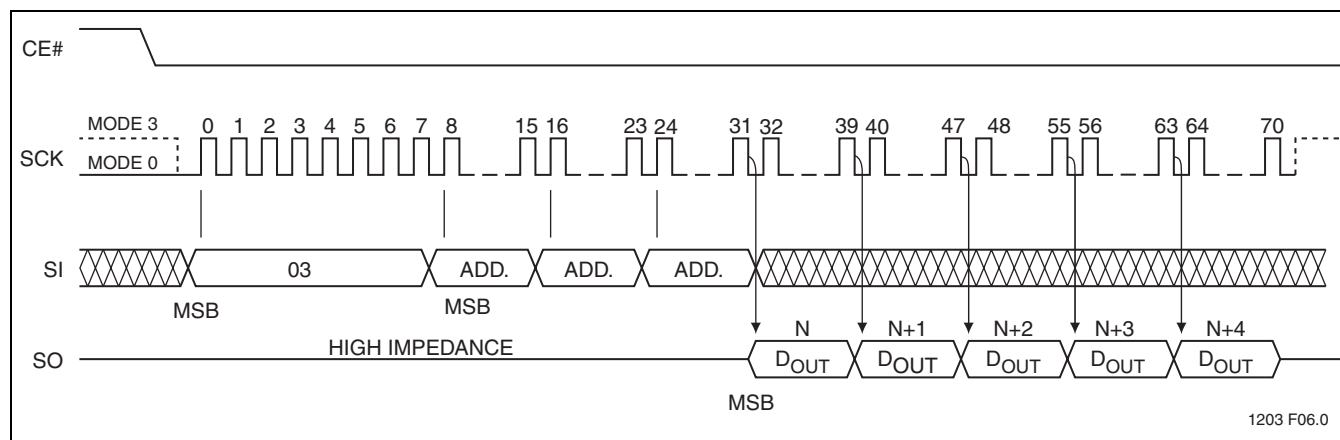


FIGURE 7: Read Sequence

High-Speed-Read (75 MHz)

The High-Speed-Read instruction supporting up to 75 MHz Read is initiated by executing an 8-bit command, 0BH, followed by address bits $[A_{23}-A_0]$ and a dummy byte. CE# must remain active low for the duration of the High-Speed-Read cycle. See Figure 8 for the High-Speed-Read sequence.

Following a dummy cycle, the High-Speed-Read instruction outputs the data starting from the specified address location. The data output stream is continuous through all

addresses until terminated by a low-to-high transition on CE#. The internal address pointer will automatically increment until the highest memory address is reached. Once the highest memory address is reached, the address pointer will automatically increment to the beginning (wrap-around) of the address space. For example, for 2 Mbit density, once the data from address location 7FFFFH is read, the next output will be from address location 000000H.

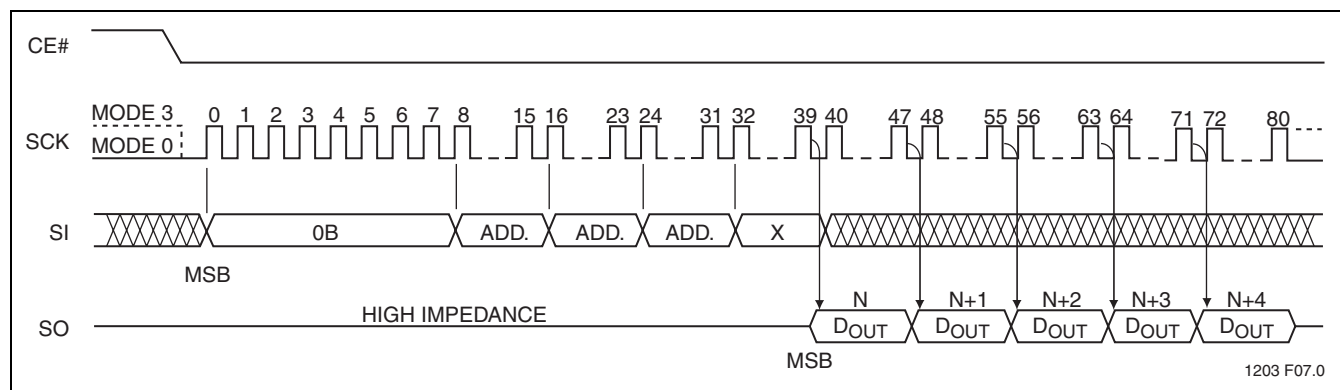


FIGURE 8: High-Speed-Read Sequence



Byte-Program

The Byte-Program instruction programs the bits in the selected byte to the desired data. The selected byte must be in the erased state (FFH) when initiating a Program operation. A Byte-Program instruction applied to a protected memory area will be ignored.

Prior to any Write operation, the Write-Enable (WREN) instruction must be executed. CE# must remain active low for the duration of the Byte-Program instruction. The Byte-

Program instruction is initiated by executing an 8-bit command, 02H, followed by address bits [A₂₃-A₀]. Following the address, the data is input in order from MSB (bit 7) to LSB (bit 0). CE# must be driven high before the instruction is executed. The user may poll the Busy bit in the software status register or wait T_{BP} for the completion of the internal self-timed Byte-Program operation. See Figure 9 for the Byte-Program sequence.

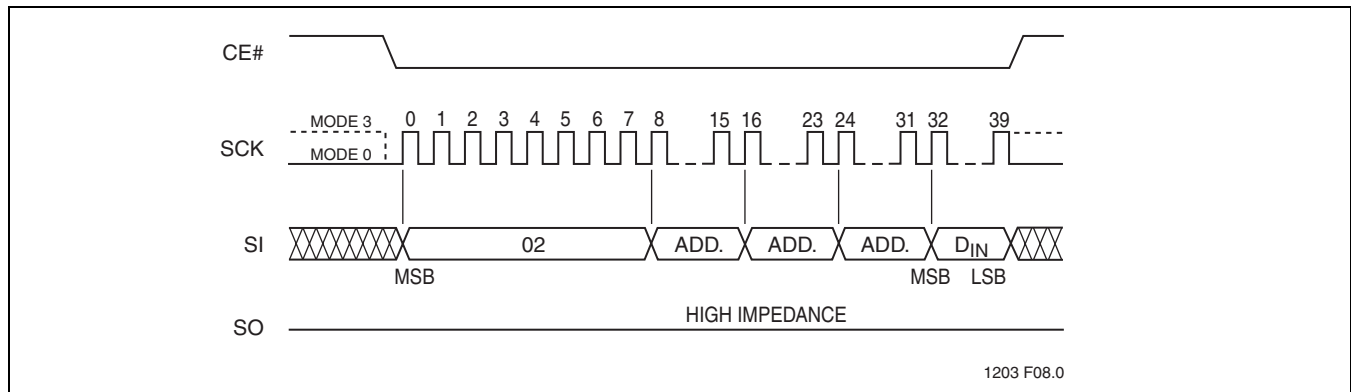


FIGURE 9: Byte-Program Sequence



Advance Information

Auto Address Increment (AAI) Word-Program

The AAI program instruction allows multiple bytes of data to be programmed without re-issuing the next sequential address location. This feature decreases total programming time when multiple bytes or the entire memory array is to be programmed. An AAI Word program instruction pointing to a protected memory area will be ignored. The selected address range must be in the erased state (FFH) when initiating an AAI Word Program operation. While within AAI Word Programming sequence, the only valid instructions are AAI Word (ADH), RDSR (05H), or WRDI (04H). Users have three options to determine the completion of each AAI Word program cycle: hardware detection by reading the Serial Output, software detection by polling the BUSY bit in the software status register or wait T_{BP} . Refer to End-Of-Write Detection section for details.

Prior to any write operation, the Write-Enable (WREN) instruction must be executed. The AAI Word Program instruction is initiated by executing an 8-bit command, ADH, followed by address bits $[A_{23}-A_0]$. Following the addresses, two bytes of data are input sequentially, each one from MSB (Bit 7) to LSB (Bit 0). The first byte of data (D0) will be programmed into the initial address $[A_{23}-A_1]$ with $A_0 = 0$, the second byte of Data (D1) will be programmed into the initial address $[A_{23}-A_1]$ with $A_0 = 1$. CE# must be driven high before the AAI Word Program instruction is executed. The user must check the BUSY status before entering the next valid command. Once the device indicates it is no longer busy, data for the next two sequential addresses may be programmed and so on. When the last desired byte had been entered, check the busy status using the hardware method or the RDSR instruction and execute the Write-Disable (WRDI) instruction, 04H, to terminate AAI. Check the busy status after WRDI to determine if the device is ready for any command. See Figures 12 and 13 for AAI Word programming sequence.

There is no wrap mode during AAI programming; once the highest unprotected memory address is reached, the device will exit AAI operation and reset the Write-Enable-Latch bit ($WEL = 0$) and the AAI bit ($AAI = 0$).

End-of-Write Detection

There are three methods to determine completion of a program cycle during AAI Word programming: hardware detection by reading the Serial Output, software detection by polling the BUSY bit in the Software Status Register or wait T_{BP}

Hardware End-of-Write Detection

The Hardware End-of-Write detection method eliminates the overhead of polling the Busy bit in the Software Status Register during an AAI Word program operation. The 8-bit command, 70H, configures the Serial Output (SO) pin to indicate Flash Busy status during AAI Word programming, as shown in Figure 10. The 8-bit command, 70H, must be executed prior to executing an AAI Word-Program instruction. Once an internal programming operation begins, asserting CE# will immediately drive the status of the internal flash status on the SO pin. A '0' indicates the device is busy and a '1' indicates the device is ready for the next instruction. De-asserting CE# will return the SO pin to tri-state.

The 8-bit command, 80H, disables the Serial Output (SO) pin to output busy status during AAI-Word-program operation, and re-configures SO as an output pin. In this state, the SO pin will function as a normal Serial Output pin. At this time, the RDSR command can poll the status of the Software Status Register. This is shown in Figure 11.

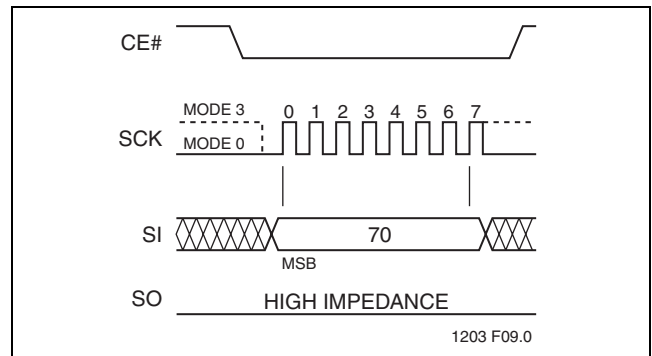


FIGURE 10: Enable SO as Hardware RY/BY# during AAI Programming

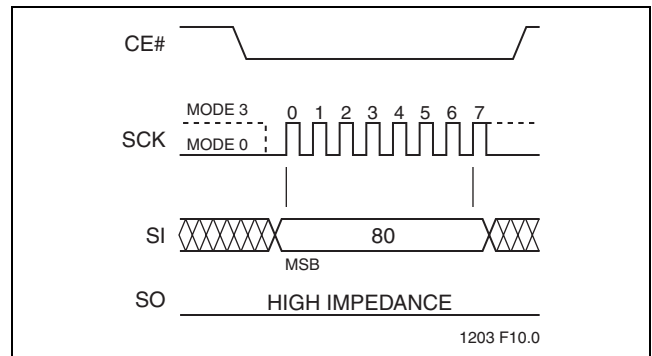


FIGURE 11: Disable SO as Hardware RY/BY# during AAI Programming

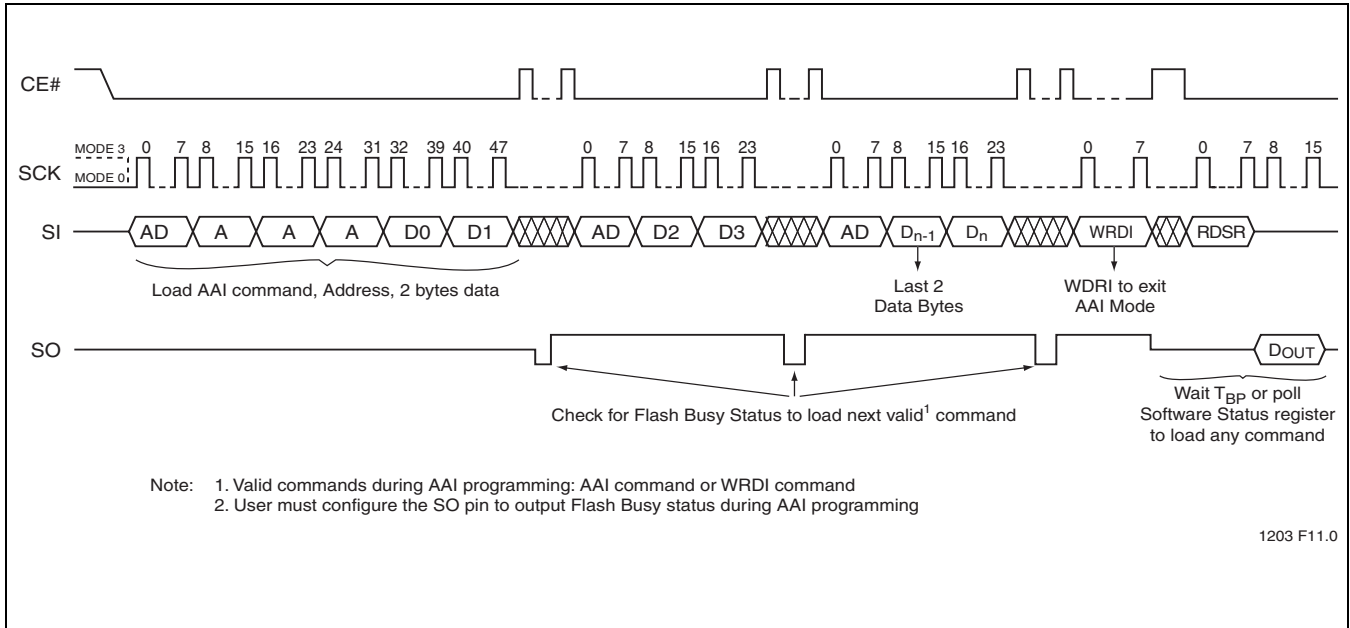


FIGURE 12: Auto Address Increment (AAI) Word Program Sequence with Hardware End-of-Write Detection

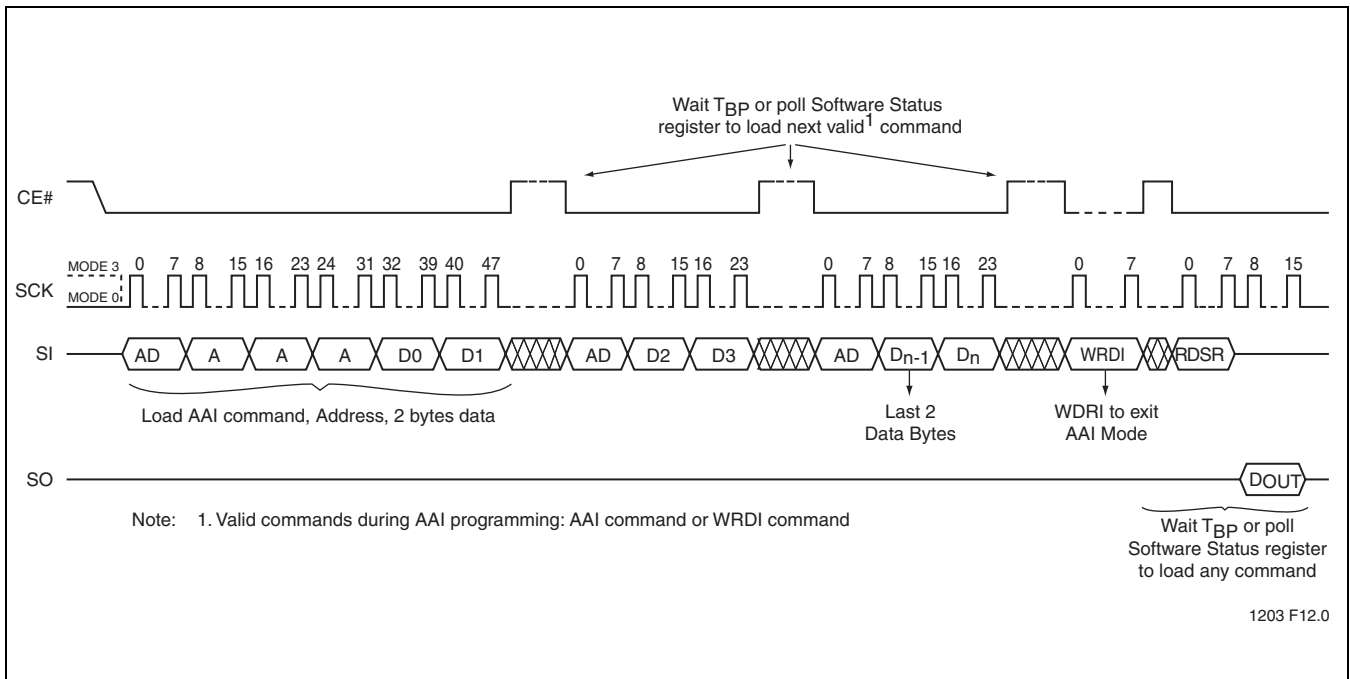


FIGURE 13: Auto Address Increment (AAI) Word Program Sequence with Software End-of-Write Detection



Advance Information

Sector-Erase

The Sector-Erase instruction clears all bits in the selected 4 KByte sector to FFH. A Sector-Erase instruction applied to a protected memory area will be ignored. Prior to any Write operation, the Write-Enable (WREN) instruction must be executed. CE# must remain active low for the duration of any command sequence. The Sector-Erase instruction is initiated by executing an 8-bit command, 20H, followed by address bits [A₂₃-A₀]. Address bits [A_{MS}-A₁₂] (A_{MS} = Most

Significant address) are used to determine the sector address (SA_x), remaining address bits can be V_{IL} or V_{IH}. CE# must be driven high before the instruction is executed. The user may poll the Busy bit in the software status register or wait T_{SE} for the completion of the internal self-timed Sector-Erase cycle. See Figure 14 for the Sector-Erase sequence.

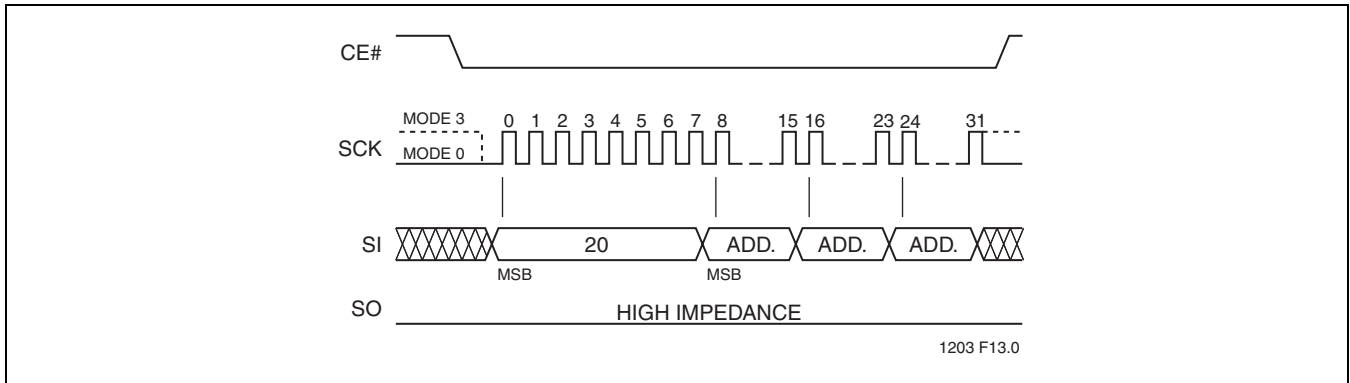


FIGURE 14: Sector-Erase Sequence

32-KByte Block-Erase

The Block-Erase instruction clears all bits in the selected 32 KByte block to FFH. A Block-Erase instruction applied to a protected memory area is ignored. Prior to any Write operation, the Write-Enable (WREN) instruction must be executed. CE# must remain active low for the duration of any command sequence. The Block-Erase instruction is initiated by executing an 8-bit command, 52H, followed by

address bits [A₂₃-A₀]. Address bits [A_{MS}-A₁₅] (A_{MS} = Most Significant Address) are used to determine block address (BA_x), remaining address bits can be V_{IL} or V_{IH}. CE# must be driven high before the instruction is executed. Poll the Busy bit in the software status register or wait T_{BE} for the completion of the internal self-timed Block-Erase. See Figure 15 for the Block-Erase sequences.

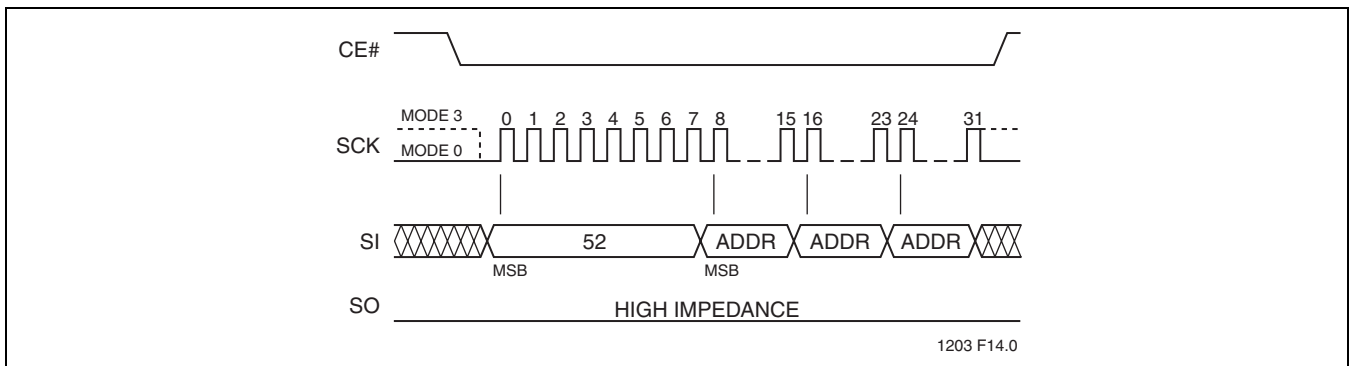


FIGURE 15: 32-KByte Block-Erase Sequence

64-KByte Block-Erase

The Block-Erase instruction clears all bits in the selected 64 KByte block to FFH. A Block-Erase instruction applied to a protected memory area is ignored. Prior to any Write operation, the Write-Enable (WREN) instruction must be executed. CE# must remain active low for the duration of any command sequence. The Block-Erase instruction is initiated by executing an 8-bit command, D8H, followed by

address bits [A₂₃-A₀]. Address bits [A_{MS}-A₁₆] (A_{MS} = Most Significant Address) are used to determine block address (BA_X), remaining address bits can be V_{IL} or V_{IH}. CE# must be driven high before the instruction is executed. Poll the Busy bit in the software status register or wait T_{BE} for the completion of the internal self-timed Block-Erase. See Figure 16 for the Block-Erase sequences.

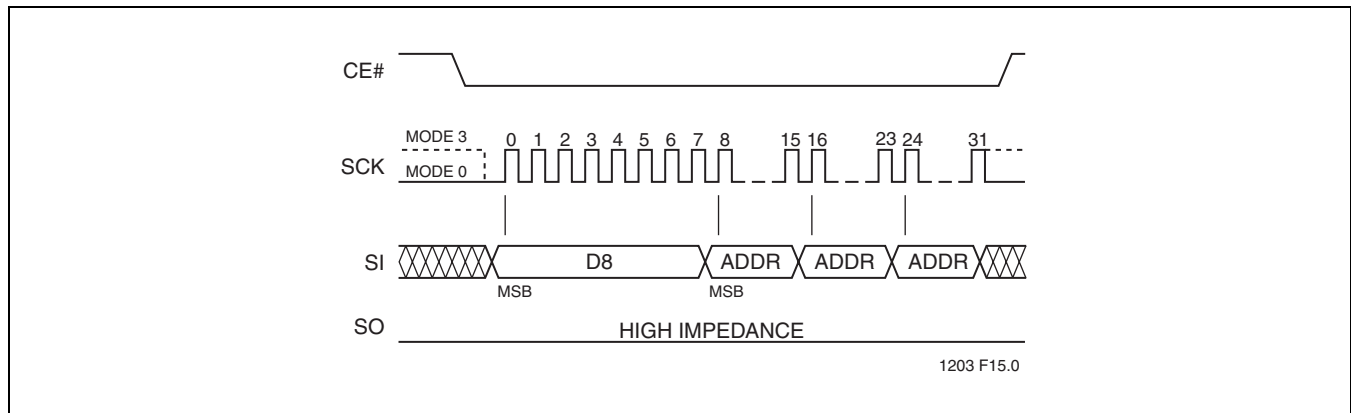


FIGURE 16: 64-KByte Block-Erase Sequence

Chip-Erase

The Chip-Erase instruction clears all bits in the device to FFH. A Chip-Erase instruction is ignored if any of the memory area is protected. Prior to any Write operation, the Write-Enable (WREN) instruction must be executed. CE# must remain active low for the duration of the Chip-Erase instruction sequence. The Chip-Erase instruction is initiated

by executing an 8-bit command, 60H or C7H. CE# must be driven high before the instruction is executed. The user may poll the Busy bit in the software status register or wait T_{CE} for the completion of the internal self-timed Chip-Erase cycle. See Figure 17 for the Chip-Erase sequence.

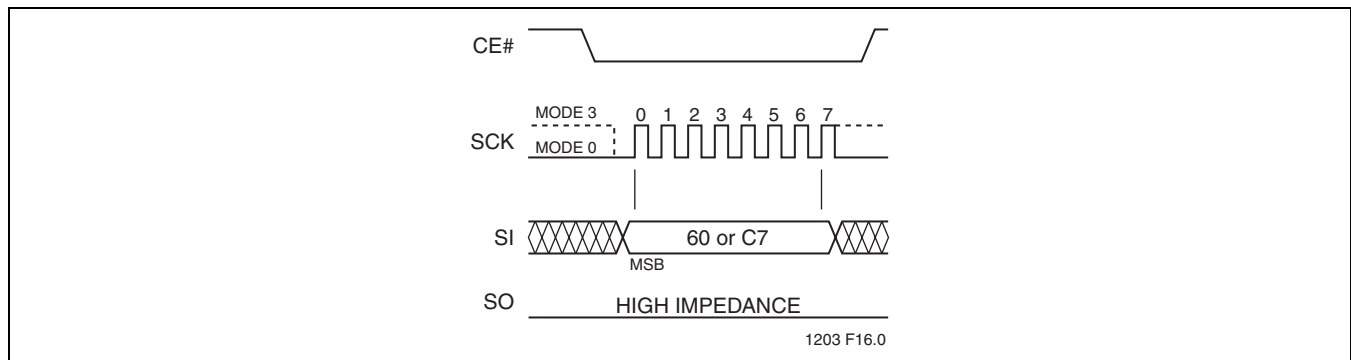


FIGURE 17: Chip-Erase Sequence



Advance Information

Read-Status-Register (RDSR)

The Read-Status-Register (RDSR) instruction, 05H, allows reading of the status register. The status register may be read at any time even during a Write (Program/Erase) operation. When a Write operation is in progress, the Busy bit may be checked before sending any new commands to assure that the new commands are properly received by

the device. CE# must be driven low before the RDSR instruction is entered and remain low until the status data is read. Read-Status-Register is continuous with ongoing clock cycles until it is terminated by a low to high transition of the CE#. See Figure 18 for the RDSR instruction sequence.

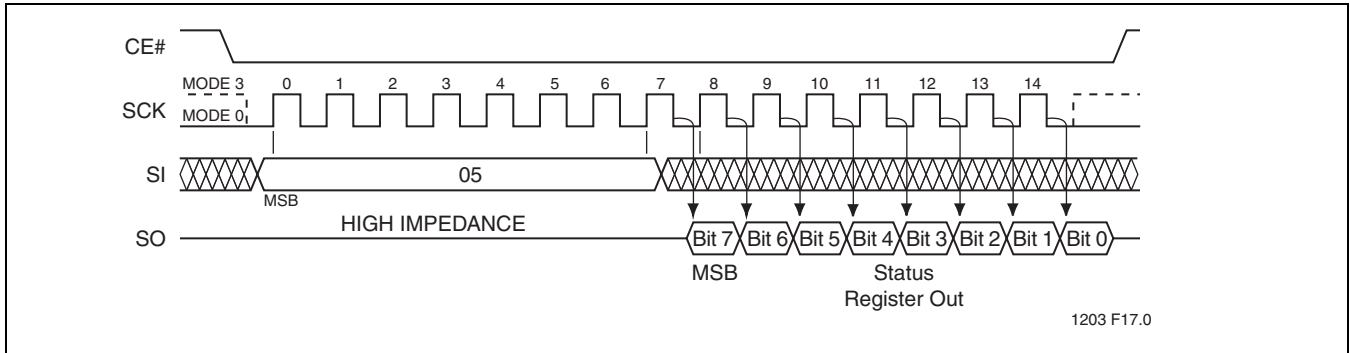


FIGURE 18: Read-Status-Register (RDSR) Sequence

Write-Enable (WREN)

The Write-Enable (WREN) instruction, 06H, sets the Write-Enable-Latch bit in the Status Register to 1 allowing Write operations to occur. The WREN instruction must be executed prior to any Write (Program/Erase) operation. The WREN instruction may also be used to allow execution of the Write-Status-Register (WRSR) instruction; however,

the Write-Enable-Latch bit in the Status Register will be cleared upon the rising edge CE# of the WRSR instruction. CE# must be driven high before the WREN instruction is executed. See Figure 19 for the WREN instruction sequence.

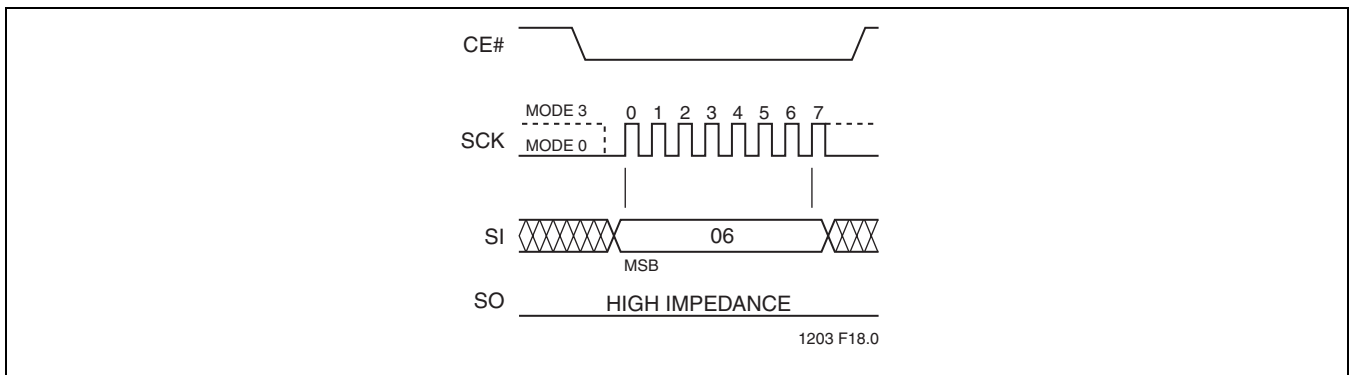


FIGURE 19: Write Enable (WREN) Sequence



Write-Disable (WRDI)

The Write-Disable (WRDI) instruction, 04H, resets the Write-Enable-Latch bit and AAI to 0 disabling any new Write operations from occurring. The WRDI instruction will not terminate any programming operation in progress. Any

program operation in progress may continue up to T_{BP} after executing the WRDI instruction. CE# must be driven high before the WRDI instruction is executed. See Figure 20 for the WRDI instruction sequence.

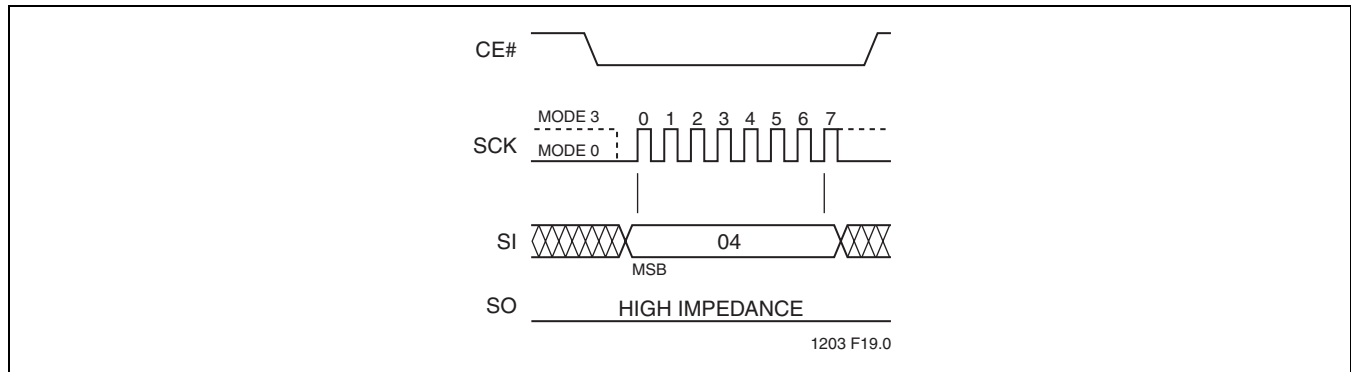


FIGURE 20: Write Disable (WRDI) Sequence

Enable-Write-Status-Register (EWSR)

The Enable-Write-Status-Register (EWSR) instruction arms the Write-Status-Register (WRSR) instruction and opens the status register for alteration. The Write-Status-Register instruction must be executed immediately after the execution of the Enable-Write-Status-Register instruction. This two-step instruction sequence of the EWSR instruction followed by the WRSR instruction works like SDP (software data protection) command structure which prevents any accidental alteration of the status register values. CE# must be driven low before the EWSR instruction is entered and must be driven high before the EWSR instruction is executed. See Figure 21 for EWSR instruction followed by WRSR instruction.

sequence of the WRSR instruction is entered and driven high before the WRSR instruction is executed. See Figure 21 for EWSR or WREN and WRSR instruction sequences.

Executing the Write-Status-Register instruction will be ignored when WP# is low and BPL bit is set to '1'. When the WP# is low, the BPL bit can only be set from '0' to '1' to lock-down the status register, but cannot be reset from '1' to '0'. When WP# is high, the lock-down function of the BPL bit is disabled and the BPL, BP0, BP1, BP2, and BP3 bits in the status register can all be changed. As long as BPL bit is set to '0' or WP# pin is driven high (V_{IH}) prior to the low-to-high transition of the CE# pin at the end of the WRSR instruction, the bits in the status register can all be altered by the WRSR instruction. In this case, a single WRSR instruction can set the BPL bit to '1' to lock down the status register as well as altering the BP0, BP1, BP2, and BP3 bits at the same time. See Table 3 for a summary description of WP# and BPL functions.

Write-Status-Register (WRSR)

The Write-Status-Register instruction writes new values to the BP3, BP2, BP1, BP0, and BPL bits of the status register. CE# must be driven low before the command

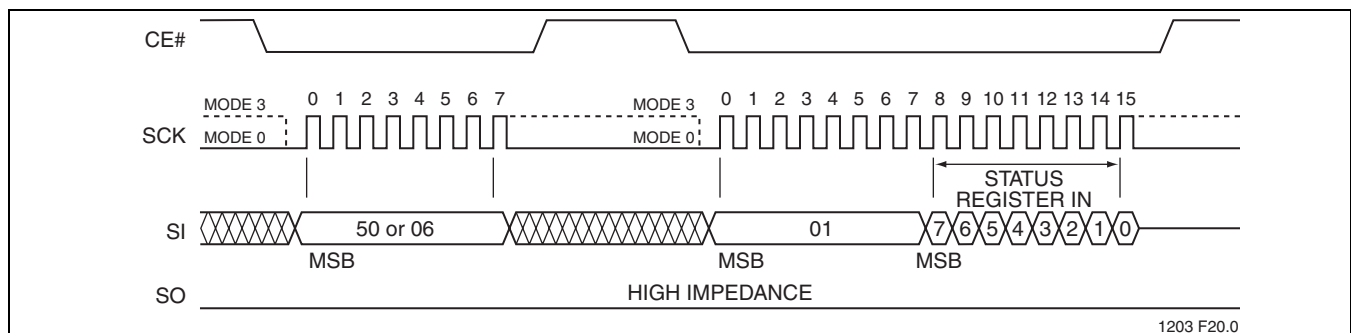


FIGURE 21: Enable-Write-Status-Register (EWSR) or Write-Enable (WREN) and Write-Status-Register (WRSR) Sequence



Advance Information

Enable-Hold (EHL D)

The 8-bit command, AAH, Enable-Hold instruction enables the HOLD functionality of the RST#/HOLD# pin. CE# must remain active low for the duration of the Enable-Hold

instruction sequence. CE# must be driven high before the instruction is executed. See Figure 22 for the Enable-Hold instruction sequence.

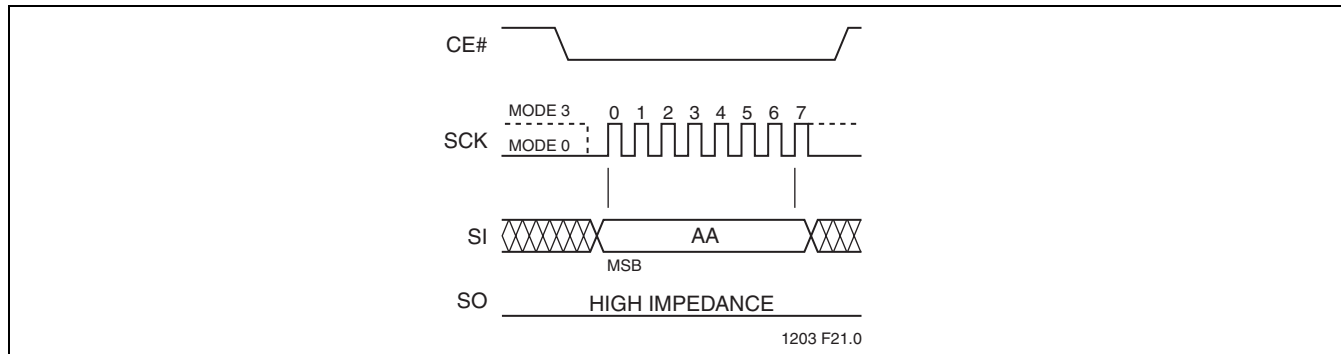


FIGURE 22: Enable-Hold Sequence

Read-ID

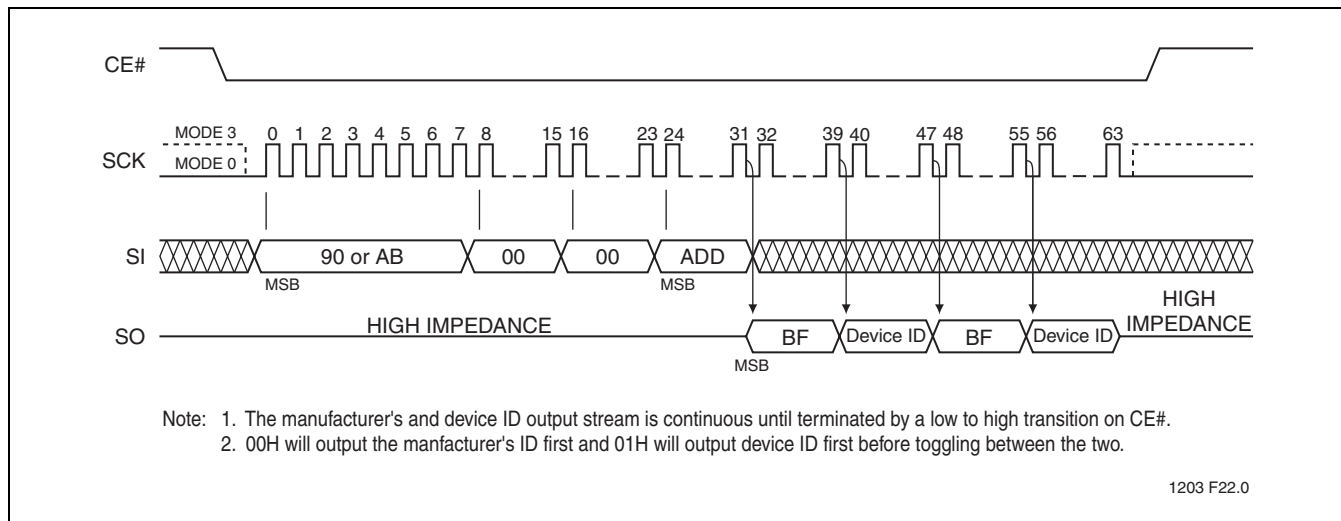
The Read-ID instruction identifies the manufacturer as SST and the device as SST25WF080. Use the Read-ID instruction to identify SST device when using multiple manufacturers in the same socket. See Table 7.

TABLE 7: Product Identification

	Address	Data
Manufacturer's ID	000000H	BFH
Device ID	000001H	05H

T7.1203

The device information is read by executing an 8-bit command, 90H or ABH, followed by address bits [A₂₃-A₀]. Following the Read-ID instruction, the manufacturer's ID is located in address 000000H and the device ID is located in address 000001H. Once the device is in Read-ID mode, the manufacturer's and device ID output data toggles between address 000000H and 000001H until terminated by a low to high transition on CE#.



Note: 1. The manufacturer's and device ID output stream is continuous until terminated by a low to high transition on CE#. 2. 00H will output the manufacturer's ID first and 01H will output device ID first before toggling between the two.

FIGURE 23: Read-ID Sequence

JEDEC Read-ID

The JEDEC Read-ID instruction identifies the device as SST25WF080 and the manufacturer as SST. The device information can be read from executing the 8-bit command, 9FH. Following the JEDEC Read-ID instruction, the 8-bit manufacturer's ID, BFH, is output from the device. After that, a 16-bit device ID is shifted out on the SO pin. The Device ID is assigned by the manufacturer and contains

the type of memory in the first byte and the memory capacity of the device in the second byte. See Figure 24 for the instruction sequence. The JEDEC Read ID instruction is terminated by a low to high transition on CE# at any time during data output.

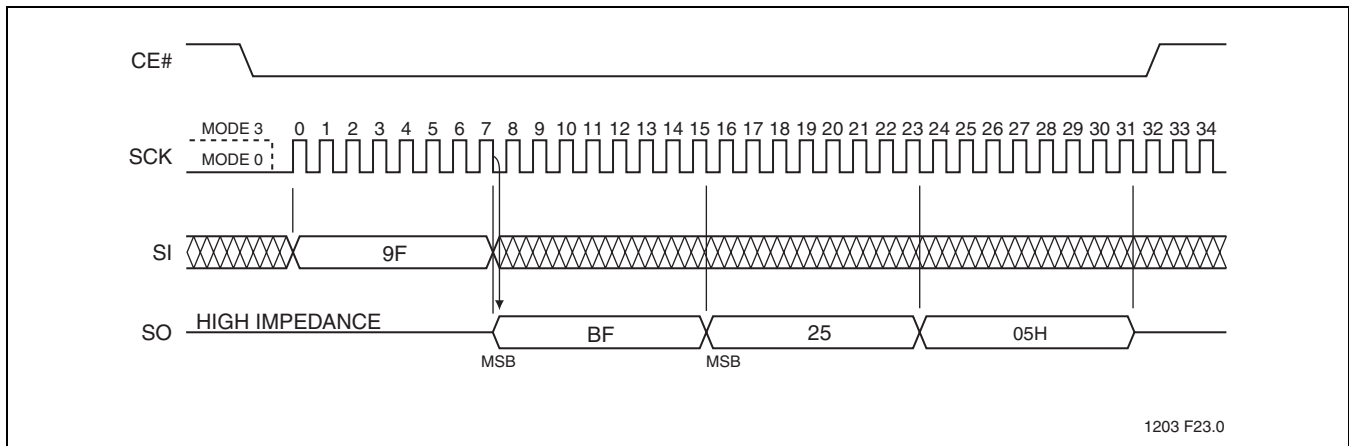


FIGURE 24: JEDEC Read-ID Sequence

TABLE 8: JEDEC Read-ID Data-Out

Manufacturer's ID (Byte 1)	Device ID	
	Memory Type (Byte 2)	Memory Capacity (Byte 3)
BFH	25H	05H

T8.0 1203



Advance Information

ELECTRICAL SPECIFICATIONS

Absolute Maximum Stress Ratings (Applied conditions greater than those listed under “Absolute Maximum Stress Ratings” may cause permanent damage to the device. This is a stress rating only and functional operation of the device at these conditions or conditions greater than those defined in the operational sections of this data sheet is not implied. Exposure to absolute maximum stress rating conditions may affect device reliability.)

Temperature Under Bias -55°C to +125°C
 Storage Temperature -65°C to +150°C
 D. C. Voltage on Any Pin to Ground Potential -0.5V to $V_{DD}+0.5V$
 Transient Voltage (<20 ns) on Any Pin to Ground Potential -2.0V to $V_{DD}+2.0V$
 Package Power Dissipation Capability ($T_A = 25^\circ C$) 1.0W
 Surface Mount Solder Reflow Temperature 260°C for 10 seconds
 Output Short Circuit Current¹ 50 mA

1. Output shorted for no more than one second. No more than one output shorted at a time.

Operating Range

Range	Ambient Temp	V_{DD}
Industrial	-40°C to +85°C	1.65-1.95V

AC Conditions of Test

Input Rise/Fall Time	5 ns
Output Load	$C_L = 30$ pF



8Mbit 1.8V SPI Serial Flash SST25WF080

Advance Information

Power-Up Specifications

All functionalities and DC specifications are specified for a V_{DD} ramp rate of greater than 1V per 100 ms (0V to 1.8V in less than 180 ms). If the V_{DD} ramp rate is slower than 1V/100 ms, a hardware reset is required. The recommended V_{DD} power-up to RESET# high time should be greater than 100 μ s to ensure a proper reset. See Table 9 and Figures 25 and 26 for more information.

TABLE 9: Recommended System Power-up Timings

Symbol	Parameter	Minimum	Units
$T_{PU-READ}^1$	V_{DD} Min to Read Operation	100	μ s
$T_{PU-WRITE}^1$	V_{DD} Min to Write Operation	100	μ s

T9.0 1203

1. This parameter is measured only for initial qualification and after a design or process change that could affect this parameter.

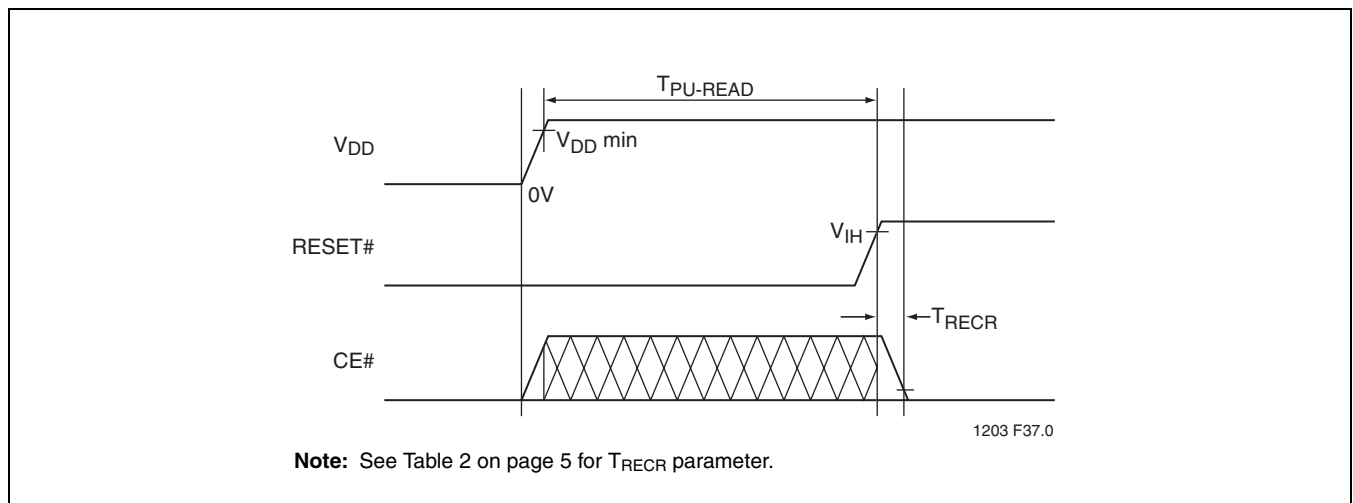


FIGURE 25: Power-Up Reset Diagram



Advance Information

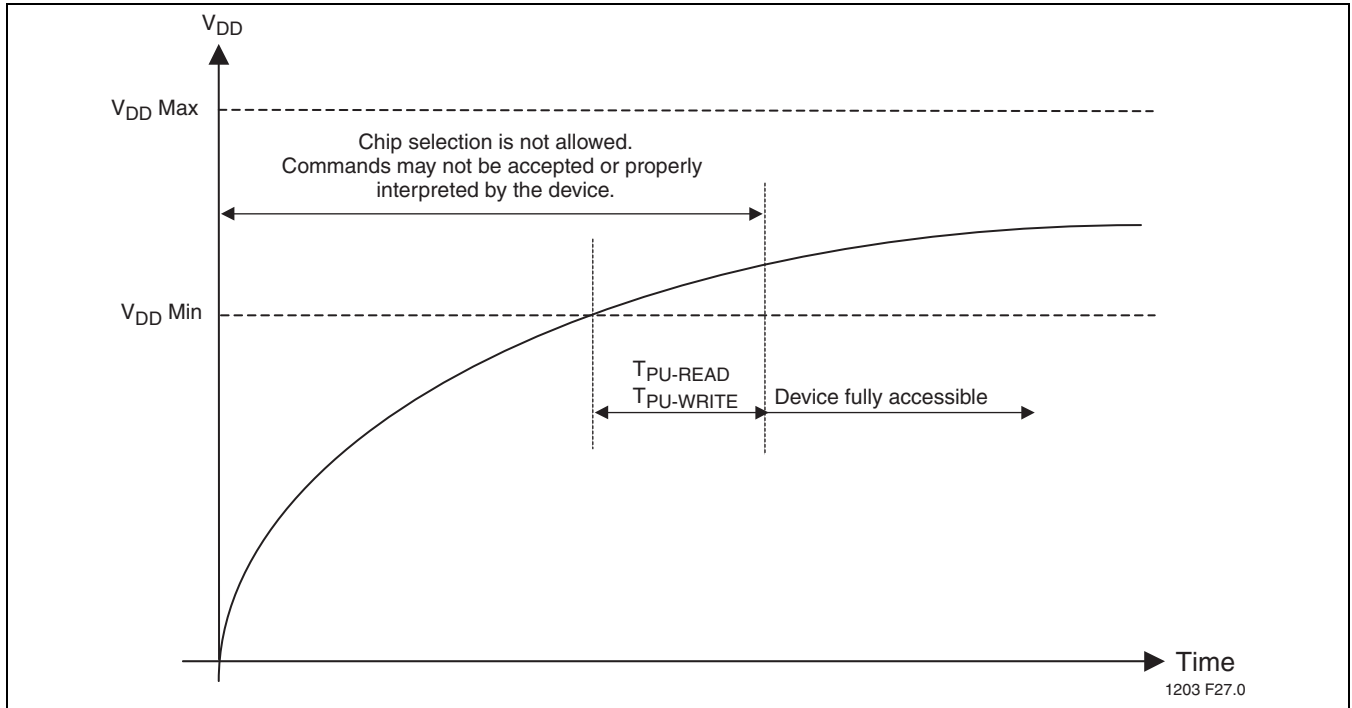


FIGURE 26: Power-up Timing Diagram

DC Characteristics

TABLE 10: DC Operating Characteristics

Symbol	Parameter	Limits			Units	Test Conditions
		Min	Typ ¹	Max		
I _{DDR}	Read Current		2	5	mA	CE#=0.1 V _{DD} /0.9 V _{DD} @33 MHz, SO=open
I _{DDR2}	Read Current		4	9	mA	CE#=0.1 V _{DD} /0.9V _{DD} @75 MHz, SO=open
I _{DDW}	Program and Erase Current		6	10	mA	CE#=V _{DD}
I _{SB}	Standby Current		5	20	μA	CE#=V _{DD} , V _{IN} =V _{DD} or V _{SS}
I _{LI}	Input Leakage Current			1	μA	V _{IN} =GND to V _{DD} , V _{DD} =V _{DD} Max
I _{LO}	Output Leakage Current			1	μA	V _{OUT} =GND to V _{DD} , V _{DD} =V _{DD} Max
V _{IL}	Input Low Voltage			0.3	V	V _{DD} =V _{DD} Min
V _{IH}	Input High Voltage	0.7 V _{DD}			V	V _{DD} =V _{DD} Max
V _{OL}	Output Low Voltage			0.2	V	I _{OL} =100 μA, V _{DD} =V _{DD} Min
V _{OH}	Output High Voltage	V _{DD} -0.2			V	I _{OH} =-100 μA, V _{DD} =V _{DD} Min

T10.0 1203

1. Value characterized, not fully tested in production.

TABLE 11: Capacitance (T_A = 25°C, f=1 Mhz, other pins open)

Parameter	Description	Test Condition	Maximum
C _{OUT} ¹	Output Pin Capacitance	V _{OUT} = 0V	12 pF
C _{IN} ¹	Input Capacitance	V _{IN} = 0V	6 pF

T11.0 1203

1. This parameter is measured only for initial qualification and after a design or process change that could affect this parameter.

TABLE 12: Reliability Characteristics

Symbol	Parameter	Minimum Specification	Units	Test Method
N _{END} ¹	Endurance	10,000	Cycles	JEDEC Standard A117
T _{DR} ¹	Data Retention	100	Years	JEDEC Standard A103
I _{LTH} ¹	Latch Up	100 + I _{DD}	mA	JEDEC Standard 78

T12.0 1203

1. This parameter is measured only for initial qualification and after a design or process change that could affect this parameter.



Advance Information

AC Characteristics

TABLE 13: AC Operating Characteristics

Symbol	Parameter	Limits - 33 MHz		Limits - 75 MHz		Units
		Min	Max	Min	Max	
F_{CLK}^1	Serial Clock Frequency		33		75	MHz
T_{SCKH}	Serial Clock High Time	13		6		ns
T_{SCKL}	Serial Clock Low Time	13		6		ns
T_{SCKR}	Serial Clock Rise Time		0.1		0.1	v/ns
T_{SCKF}	Serial Clock Fall Time		0.1		0.1	v/ns
T_{CES}^2	CE# Active Setup Time	12		5		ns
T_{CEH}^2	CE# Active Hold Time	12		5		ns
T_{CHS}^2	CE# Not Active Setup Time	10		5		ns
T_{CHH}^2	CE# Not Active Hold Time	10		5		ns
T_{CPH}	CE# High Time	50		25		ns
T_{CHZ}	CE# High to High-Z Output		20		7	ns
T_{CLZ}	SCK Low to Low-Z Output	0		0		ns
T_{DS}	Data In Setup Time	5		2		ns
T_{DH}	Data In Hold Time	5		4		ns
T_{HLS}	HOLD# Low Setup Time	10		6		ns
T_{HHS}	HOLD# High Setup Time	10		6		ns
T_{HLH}	HOLD# Low Hold Time	15		6		ns
T_{HHH}	HOLD# High Hold Time	10		6		ns
T_{HZ}	HOLD# Low to High-Z Output		20		7	ns
T_{LZ}	HOLD# High to Low-Z Output		20		7	ns
T_{OH}	Output Hold from SCK Change	0		0		ns
T_V	Output Valid from SCK		12		6	ns
T_{SE}	Sector-Erase		30		30	ms
T_{BE}	Block-Erase		30		30	ms
T_{SCE}	Chip-Erase		60		60	ms
T_{BP}^3	Byte-Program		25		25	μ s

T13.2 1203

1. Maximum clock frequency for Read instruction, 03H, is 33 MHz
2. Relative to SCK
3. AAI-Word Program T_{BP} maximum specification is also at 25 μ s maximum time

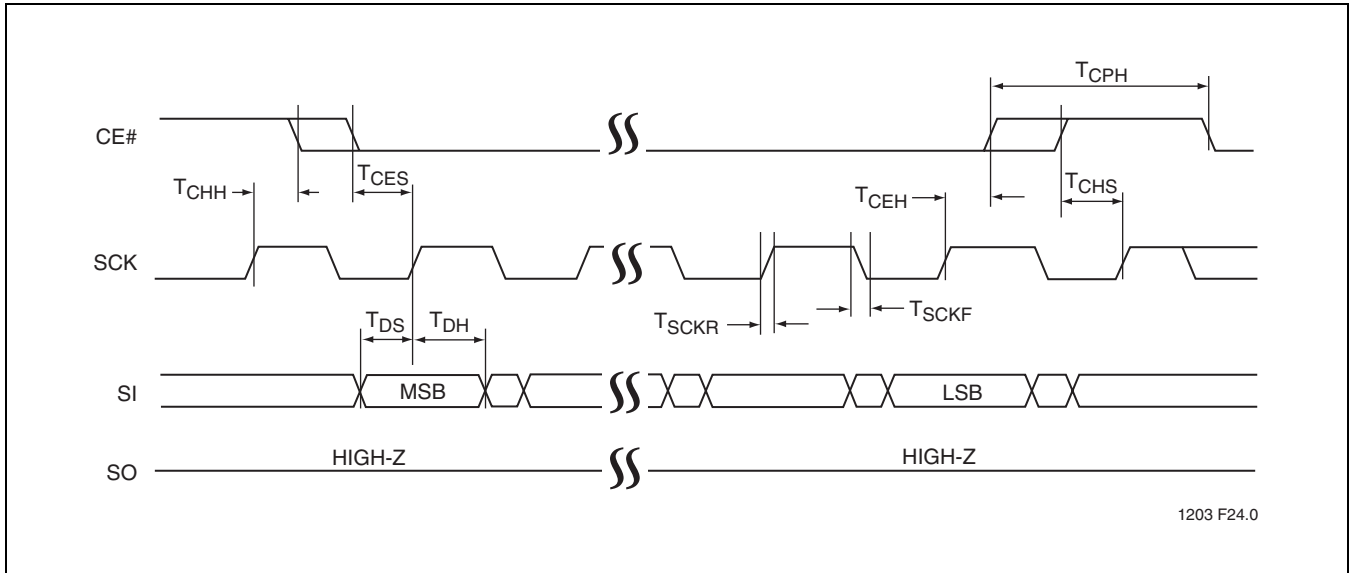


FIGURE 27: Serial Input Timing Diagram

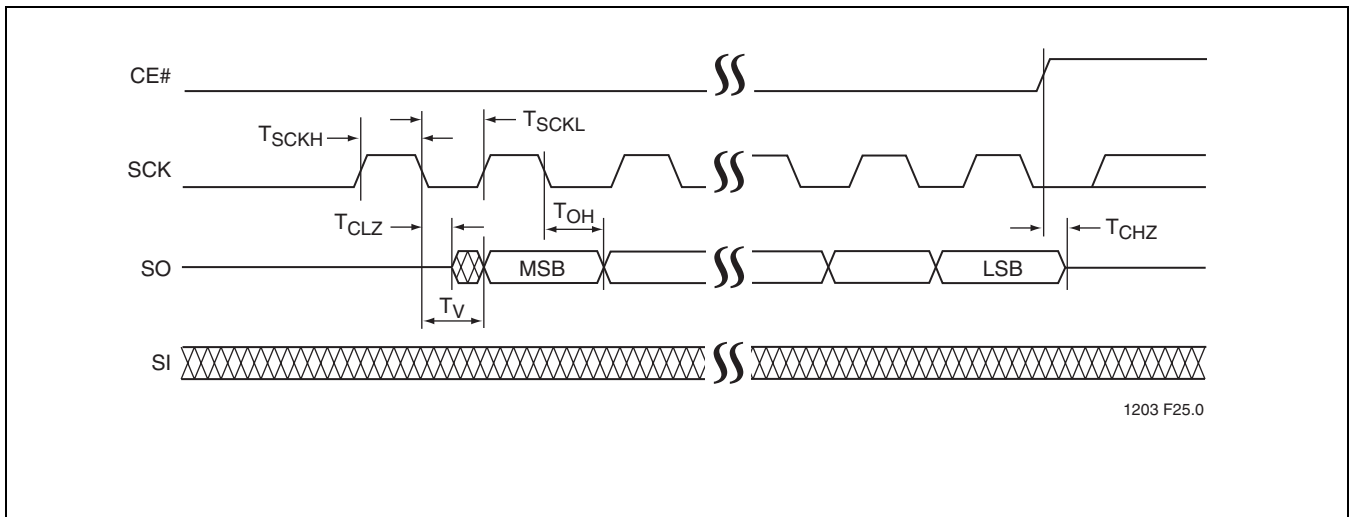
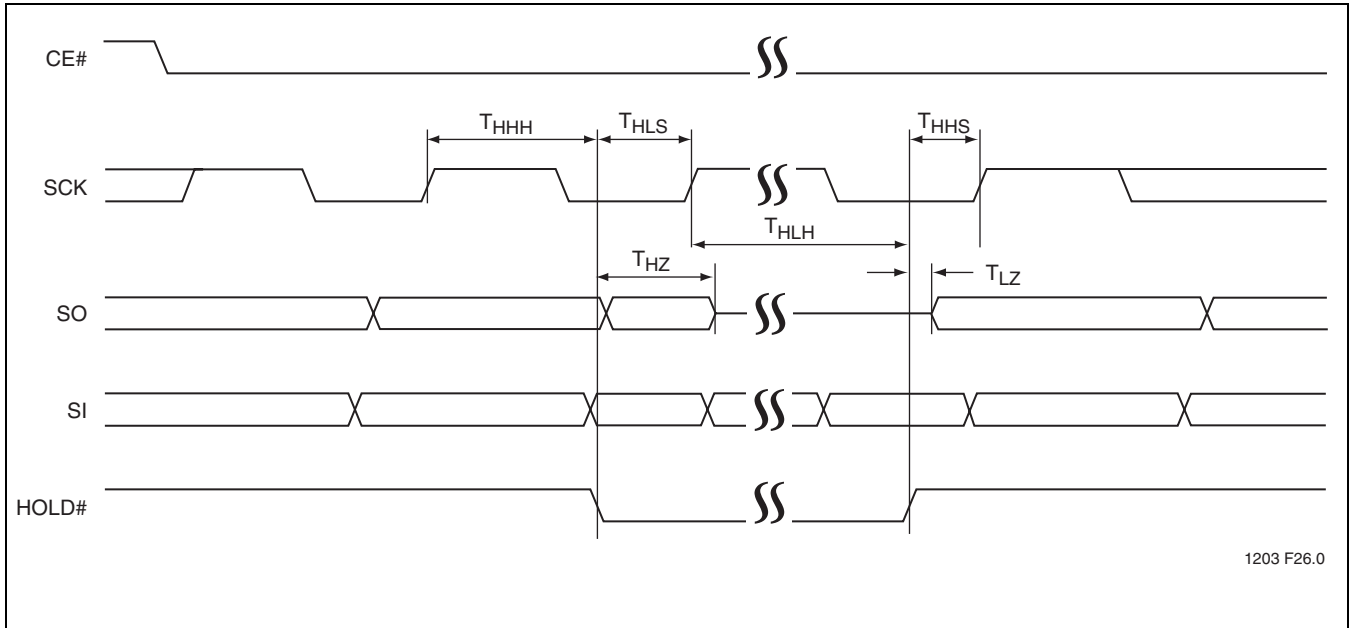


FIGURE 28: Serial Output Timing Diagram

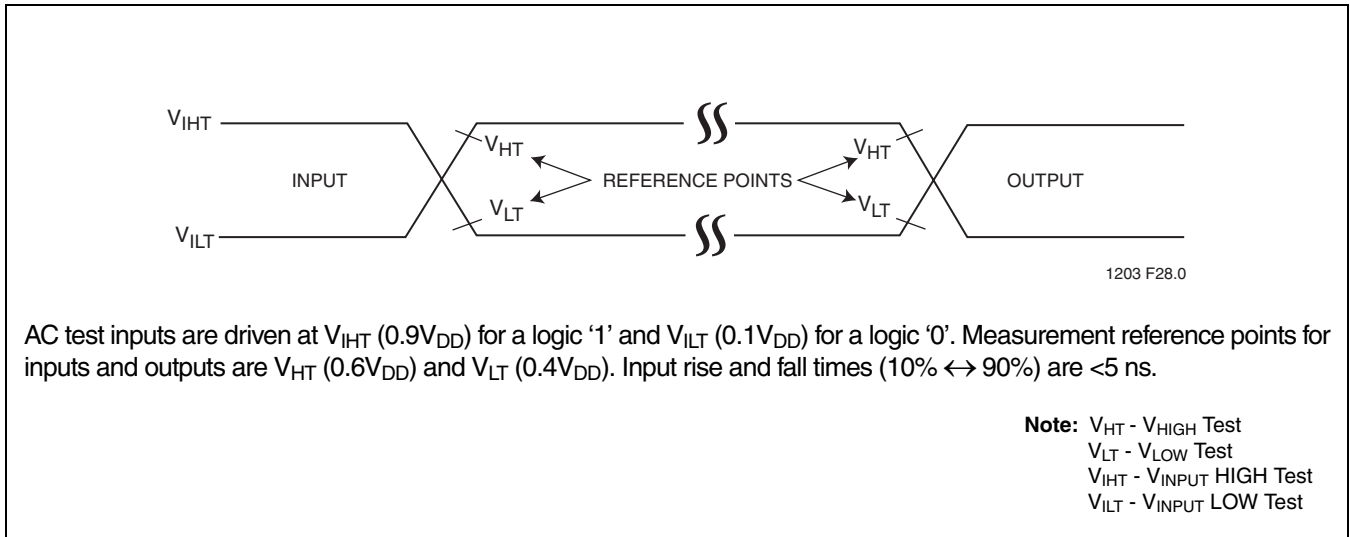


Advance Information



1203 F26.0

FIGURE 29: Hold Timing Diagram



1203 F28.0

AC test inputs are driven at V_{IHT} ($0.9V_{DD}$) for a logic '1' and V_{ILT} ($0.1V_{DD}$) for a logic '0'. Measurement reference points for inputs and outputs are V_{HT} ($0.6V_{DD}$) and V_{LT} ($0.4V_{DD}$). Input rise and fall times (10% \leftrightarrow 90%) are <5 ns.

Note: V_{HT} - V_{HIGH} Test
 V_{LT} - V_{LOW} Test
 V_{IHT} - $V_{INPUT HIGH}$ Test
 V_{ILT} - $V_{INPUT LOW}$ Test

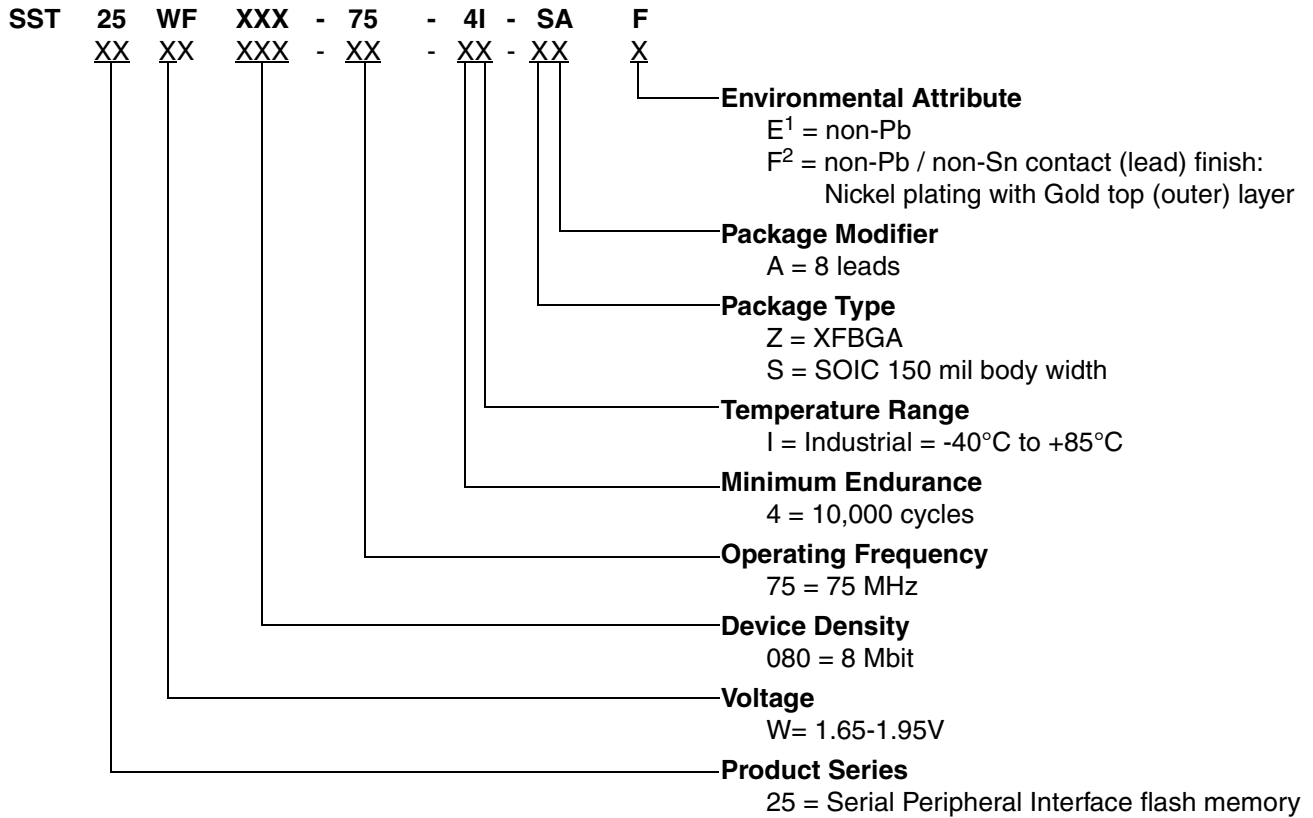
FIGURE 30: AC Input/Output Reference Waveforms



8Mbit 1.8V SPI Serial Flash SST25WF080

Advance Information

PRODUCT ORDERING INFORMATION



1. Environmental suffix "E" denotes non-Pb solder. SST non-Pb solder devices are "RoHS Compliant".
2. Environmental suffix "F" denotes non-Pb/non-SN solder. SST non-Pb/non-Sn solder devices are "RoHS Compliant".

Valid combinations for SST25WF080

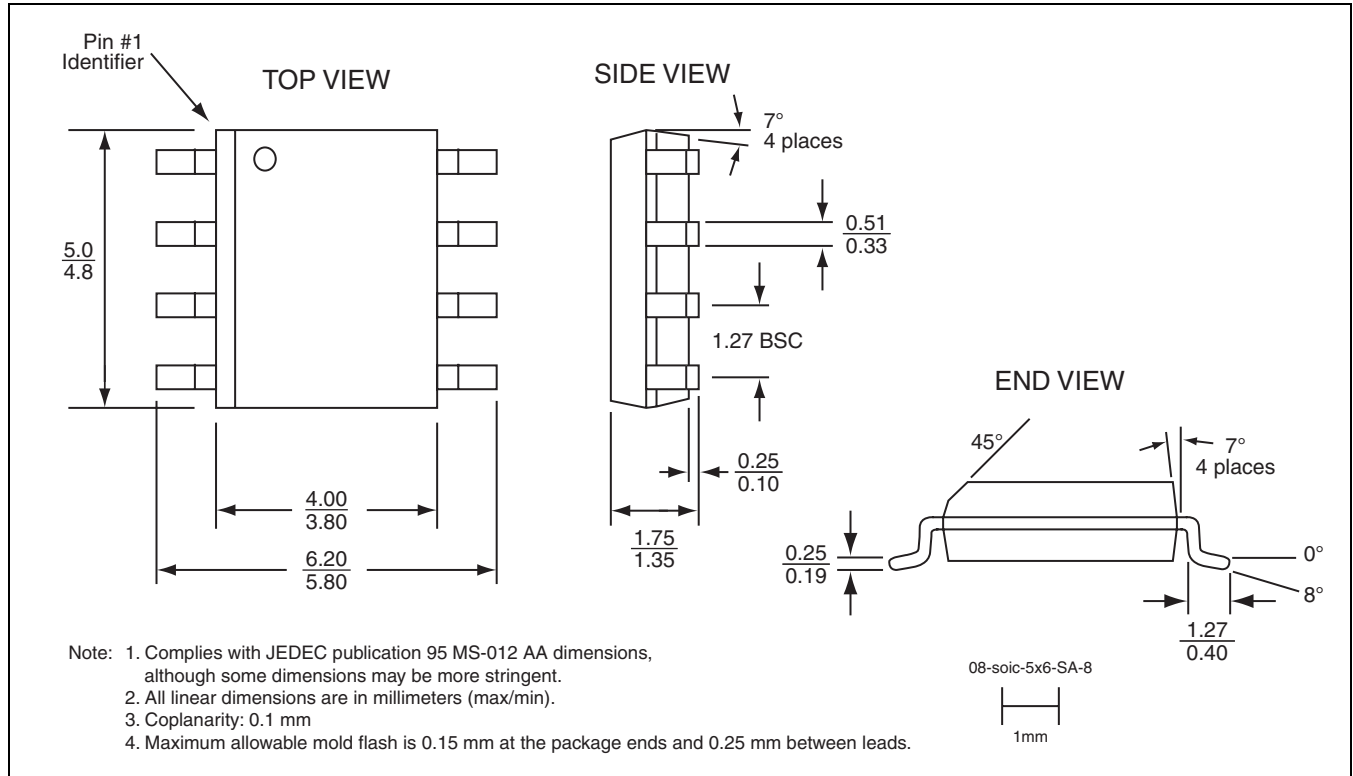
SST25WF080-75-4I-SAF SST25WF080-75-4I-ZAE

Note: Valid combinations are those products in mass production or will be in mass production. Consult your SST sales representative to confirm availability of valid combinations and to determine availability of new combinations.



Advance Information

PACKAGING DIAGRAMS



**FIGURE 31: 8-lead Small Outline Integrated Circuit (SOIC) 200 mil body width (5mm x 8mm)
SST Package Code: SA**

Note: For more information about the ZA package, including a copy of the package diagram, please contact your SST representative.



TABLE 14: Revision History

Number	Description	Date
00	<ul style="list-style-type: none">Initial release of data sheet	Sep 2007
01	<ul style="list-style-type: none">Revised Active Read Current, Standby Current, Chip-Erase Time, and Sector-/Block-Erase Time in Features on page 1Added a footnote to Table 2 Reset Timing ParametersRevised Table 6 on page 9Revised Table 10 on page 23Revised Table 13 on page 24Revised Figure 12 and Figure 13Revised Product Ordering Information and Valid CombinationsRevised T_{HLS}, T_{HHS}, T_{HLH}, and T_{HHH} in Table 13 on page 24 from 5 ns to 6ns.	Apr 2009
02	<ul style="list-style-type: none">Changed Standby Current: from 5 mA to 5 μA in Features on page 1Added the Z1A package	May 2009
03	<ul style="list-style-type: none">Removed Z1AE package informationAdded ZAE package informationUpdated SST address information on page 29	Apr 2010