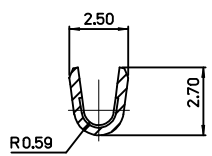
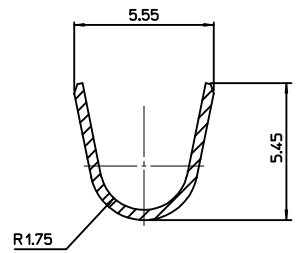


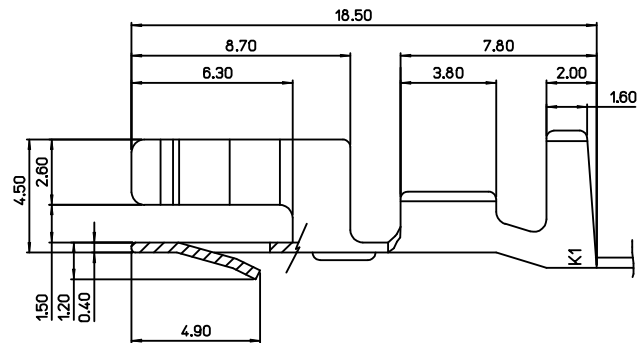
ISOVIEW



SECTION B-B'



SECTION A-A'



NOTES

- 1.MATERIAL : BRASS(C26000)
- 2.FINISH : PRE-TIN PLATING
- 3.APPLICABLE HOUSING SOCKET : 68147,49505
- 4.APPLICABLE WIRE SEAL : 49505-9001
- 5.WEDGE BULB INSERTION FORCE : 3.5 Kgf MAX.
WEDGE BULB RETENSION FORCE : 0.5 Kgf MIN.
- 6.APPLICABLE WEDGE BASE CAP : W2.1X9.5d(W5W,W16W)
- 7.APPLICABLE WIRE SIZE : AVS 0.5-0.85SQ, FLY-A 0.75SQ

<TABLE 1>

354779002	35477-9002
MATERIAL NO.	ORDER NO.



REVISED
 EC NO: KTR2015-0116
 DRWN:JKSE001 2015/06/16
 CHKD:
 APPR:JYCH01 2015/06/22

QUALITY SYMBOLS	DESCRIPTION
	=0
	=0

GENERAL TOLERANCES (UNLESS SPECIFIED)		DIMENSION STYLE		SCALE	DESIGN UNITS	THIRD ANGLE PROJECTION
		MM ONLY		5:1	METRIC	
	mm	INCH	DRAWN BY	DATE	TITLE	
4 PLACES	± ---	± ---	SMK1M	2005/08/09	WEDGE TERMINAL	
3 PLACES	± ---	± ---	CHECKED BY	DATE		
2 PLACES	± 0.2	± ---	BCY00N	2005/08/09		
1 PLACE	± ---	± ---	APPROVED BY	DATE		
	ANGULAR ± 1 °		CWLEE	2005/08/09		
DRAFT WHERE APPLICABLE MUST REMAIN WITHIN DIMENSIONS			MATERIAL NO.	DOCUMENT NO.	SHEET NO.	
			SEE TABLE 1	SD-35477-001	1 OF 1	

MATERIAL NO.		DOCUMENT NO.	
SEE TABLE 1		SD-35477-001	

MATERIAL NO.		ORDER NO.	
SEE TABLE 1		SD-35477-001	
MATERIAL NO.		DOCUMENT NO.	
SEE TABLE 1		SD-35477-001	
MATERIAL NO.		DOCUMENT NO.	
SEE TABLE 1		SD-35477-001	
MATERIAL NO.		DOCUMENT NO.	
SEE TABLE 1		SD-35477-001	