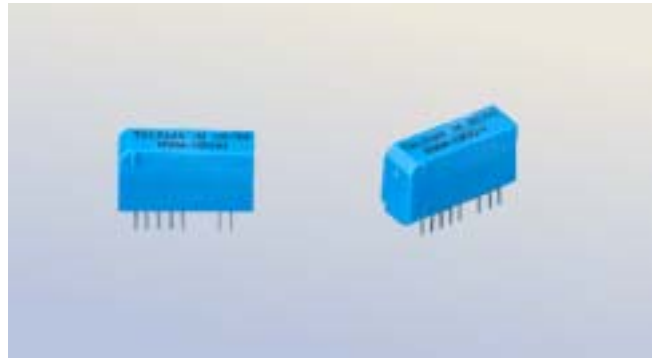


## ISDN S<sub>0</sub> DIL Interface Modules

### Features

- excellent output characteristics ensures compliance with CCITT.I.430 pulse waveform template when used with recommended IC pairing
- excellent and consistent balance between windings
- operating temperature: 0 to 70°C
- modular design maximizes suppression effectivity and transmission properties
- compact module eliminates three components reducing assembly and storage cost
- full compatibility with all common IC's
- HVM Series approved to IEC950 (see note at bottom of chart)



### Electrical Specifications @ 25°C

Turns Ratio: **Bold** = IC side windings

#### ISM Series DIL Modules comply with Supplementary Insulation Level EN60950, UL1950 and UL1459

Part Number	L <sub>P</sub>	Turns	L <sub>L</sub>	I <sub>DC</sub> <sup>Λ</sup>	C <sub>C</sub>	R <sub>CU</sub> P	R <sub>CU</sub> S	V <sub>P</sub>	Schematic
	(mH Min)	Ratio	(μH Max)	(mA)	(pF Max)	(Ohms)	(Ohms)	(Vrms)	
ISM-100C1-XXX	30	1/1: <b>1/1</b>	10	5	150	1.7	2.0	1500	C1
ISM-120A1-XXX	30	1/1: <b>4</b>	10	5	150	1.7	4.0	1500	A1
ISM-130C1-XXX	30	1/1: <b>2.5/2.5</b>	10	5	150	1.7	4.6	1500	C1
ISM-140C1-XXX	30	1/1: <b>2/2</b>	10	5	150	1.7	4.0	1500	C1

#### HVM Series DIL Modules are Approved to IEC950 - Supplementary Insulation Level

HVM-100C1-502	30	1/1: <b>1/1</b>	10	5	75	1.7	2.1	1500	C1
HVM-120A1-502	30	1/1: <b>4</b>	10	5	75	1.7	4.2	1500	A1
HVM-130C1-502	30	1/1: <b>2.5/2.5</b>	10	5	75	1.7	4.9	1500	C1
HVM-140C1-502	30	1/1: <b>2/2</b>	10	5	75	1.7	4.2	1500	C1

#### Common Mode Quad Choke

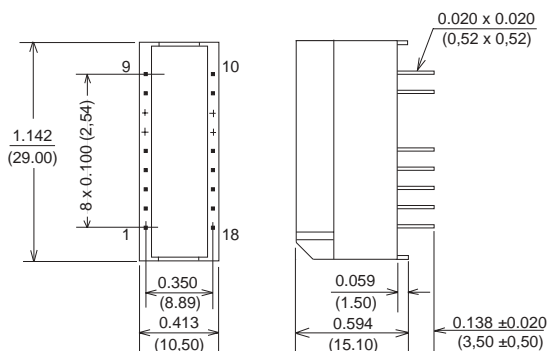
Basic P/N + Suffix (Example: ISM-100C1-470)	L <sub>N</sub> (μH)	R <sub>CU</sub> (Ohms)
-000	No Choke	
-470	47	0.30
-101	100	0.40
-501	500	1.20
-502	5000	1.00

#### Note:

The HVM Series with a 5mH quad choke is approved to IEC950 Supplementary Insulation level for connection between SELV and TNV in systems which have a rated mains supply of 250Vrms to earth (Certificate Nr. NL2731). Other choke inductances also available.

**Standard Packaging:** Anti-static tubes

### ISM & HVM DIL Modules



Dimensions: Inches (Millimeters)  
Tolerance: ±0.010 (0.25) unless specified otherwise

### Schematic

