

PLEASE CHECK WWW.MOLEX.COM FOR LATEST PART INFORMATION

Part Number: [5017450601](#)
Status: **Active**
Overview: [slimstack_mm016_pitch](#)
Description: 0.40mm (.016") Pitch SlimStack™ Board-to-Board Plug, Surface Mount, Dual Row, Vertical, Lead-free, 60 Circuits

Documents:

[3D Model](#) [Product Specification PS-51338-003 \(PDF\)](#)
[Drawing \(PDF\)](#) [RoHS Certificate of Compliance \(PDF\)](#)
[Product Specification PS-500913-002 \(PDF\)](#)

General

Product Family	PCB Headers
Series	501745
Application	Board-to-Board
Comments	Solder Tab Plating: Tin
Overview	slimstack_mm016_pitch
Product Name	SlimStack™

Physical

Breakaway	No
Circuits (Loaded)	60
Color - Resin	Black
Durability (mating cycles max)	30
Glow-Wire Compliant	No
Keying to Mating Part	None
Lock to Mating Part	Yes
Mated Height (in)	0.079 In, 0.091 In
Mated Height (mm)	2.00 mm, 2.30 mm
Material - Metal	Brass, Phosphor Bronze
Material - Plating Mating	Gold
Material - Plating Termination	Gold
Number of Rows	2
Orientation	Vertical
PCB Locator	No
PCB Retention	Yes
Packaging Type	Embossed Tape on Reel
Pitch - Mating Interface (in)	0.016 In
Pitch - Mating Interface (mm)	0.40 mm
Polarized to Mating Part	No
Polarized to PCB	No
Stackable	No
Temperature Range - Operating	-25°C to +85°C
Termination Interface: Style	Surface Mount

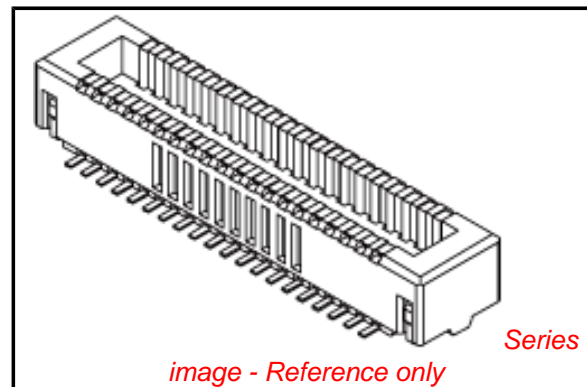
Electrical

Current - Maximum per Contact	0.3A
Voltage - Maximum	50V AC (RMS)/DC

Material Info

Reference - Drawing Numbers

Packaging Specification	SPK-501745-001
Product Specification	PS-500913-002, PS-51338-003, RPS-51338-029
Sales Drawing	SD-501745-001, SD-501745-002



EU RoHS

ELV and RoHS Compliant
REACH SVHC
 Not Reviewed
Halogen-Free Status

China RoHS



Not Reviewed

Need more information on product environmental compliance?

Email productcompliance@molex.com
 For a multiple part number RoHS Certificate of Compliance, [click here](#)

Please visit the [Contact Us](#) section for any non-product compliance questions.

Search Parts in this Series

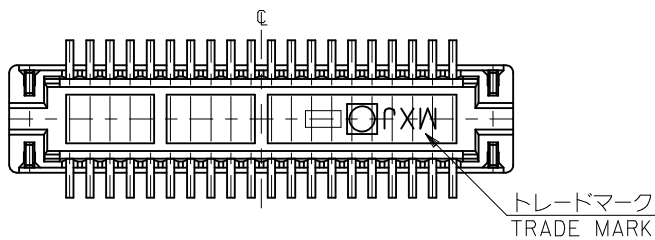
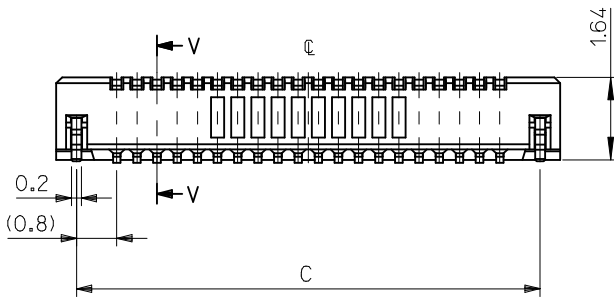
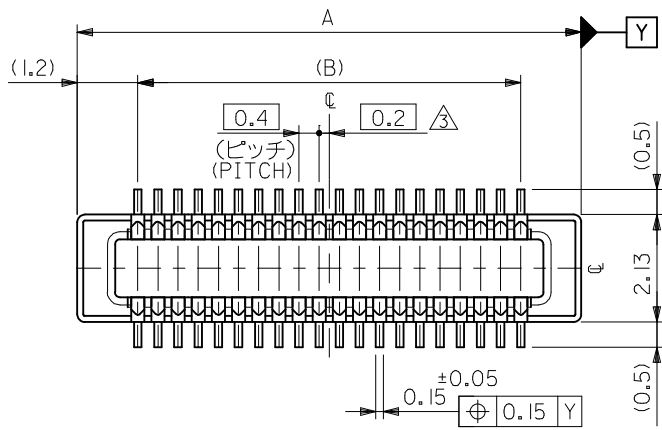
[501745Series](#)

Mates With

[51338 PCB Receptacle](#). [500913 PCB Receptacle](#)

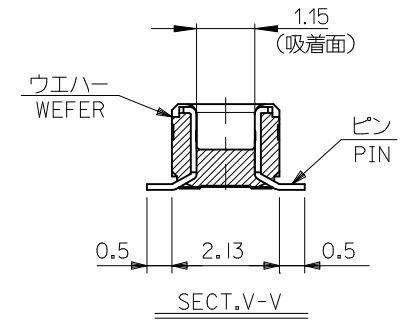
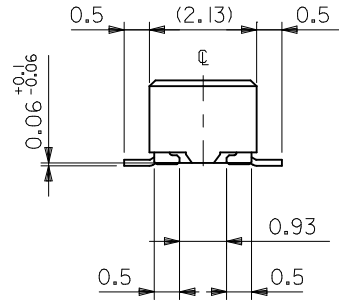
This document was generated on 06/07/2010

PLEASE CHECK WWW.MOLEX.COM FOR LATEST PART INFORMATION



注記 NOTES:

1. 使用材料 MATERIAL
 ウエハー: 液晶ポリマー (LCP) ガラス充填 UL94V-0 (黒)
 WAFER: LIQUID CRYSTAL POLYMER (GLASS FILLED)
 UL94V-0 (COLOR: BLACK)
 ピン: 黄銅 (t=0.12)
 PIN: BRASS (t=0.12)
 金具: リン青銅 (t=0.2)
 FITTING NAIL: PHOSPHOR BRONZE (t=0.2)
2. メッキ仕様 PLATING
 ピン PIN
 金メッキ 0.2 マイクロメートル以上 (コンタクト部)
 GOLD 0.2MICROMETER MINIMUM (CONTACT AREA)
 金メッキ 0.4 マイクロメートル以下 (テール部)
 GOLD 0.4MICROMETER MAXIMUM (TAIL AREA)
 下地メッキ: ニッケルメッキ 1.5 マイクロメートル以上
 UNDER PLATING: NICKEL 1.5MICROMETER MINIMUM
 金具 FITTING NAIL
 錫メッキ 1.0 マイクロメートル以上
 TIN PLATING 1.0MICROMETER MINIMUM
 下地メッキ: ニッケルメッキ 1.0 マイクロメートル以上
 UNDER PLATING: NICKEL 1.0MICROMETER MINIMUM



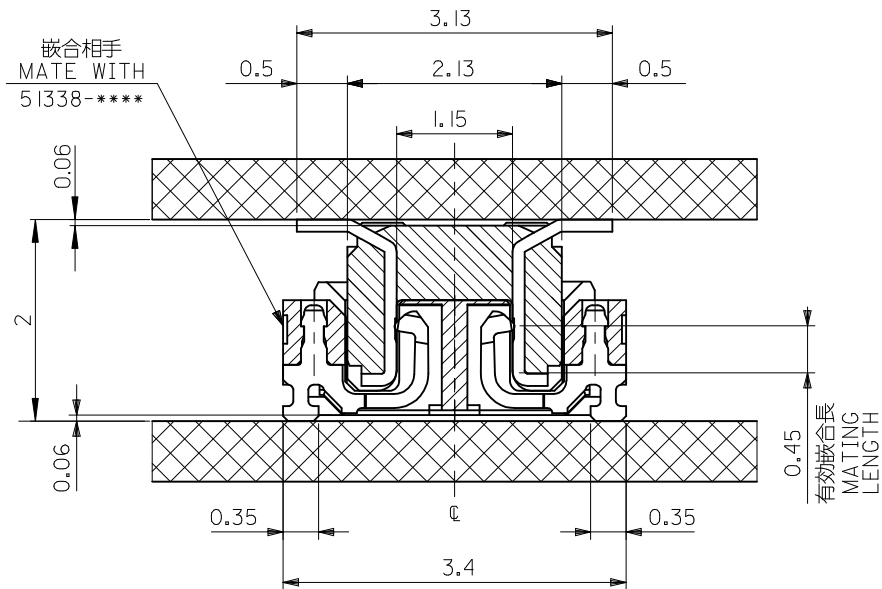
-	O	17.2	15.6	18.0	501745-0801	80
O	O	13.2	11.6	14.0	501745-0601	60
O	O	11.2	9.6	12.0	501745-0501	50
O	O	9.2	7.6	10.0	501745-0401	40
-	O	8.0	6.4	8.8	501745-0341	34
2.3	2.0	C		B	A	EMBOSSED PACKAGE
MATED HEIGHT				ORDER NO. オーダー番号		CKT.

CONNECTOR SERIES No. 501745-***0

REVISED EC NO: J2010-0060 DRWN:MTAKASHI 03/2009/08/07 CHKD:THARUYAMA 2009/08/17 APPR:MSASAO 2009/08/17	GENERAL TOLERANCES (UNLESS SPECIFIED)		DIMENSION STYLE MM ONLY		SCALE ---	DESIGN UNITS METRIC	THIRD ANGLE PROJECTION
	10 UNDER	±0.2	DRAWN BY K. SAITO	DATE 2007/03/01	TITLE 0.4 B-TO-B CONN. PLUG ASSY (HGT=2/2.3) WITH NAIL		
	10 OVER 30 UNDER	±0.25	CHECKED BY K. KASAHARA	DATE 2007/03/01	MOLEX INCORPORATED		
	30 OVER	±0.3	APPROVED BY N. UKITA	DATE 2007/03/01	DOCUMENT NO. SD-501745-001	SHEET NO. 1 OF 2	
	ANGULAR ±3 °	MATERIAL NO. SEE TABLE		THIS DRAWING CONTAINS INFORMATION THAT IS PROPRIETARY TO MOLEX INCORPORATED AND SHOULD NOT BE USED WITHOUT WRITTEN PERMISSION			
	DRAFT WHERE APPLICABLE MUST REMAIN WITHIN DIMENSIONS						

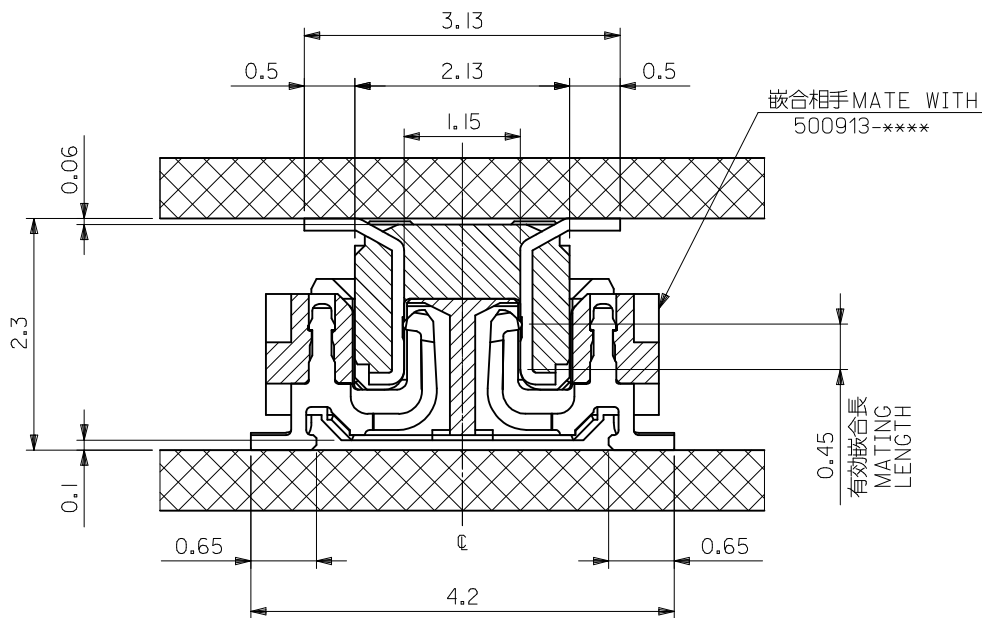
10 9 8 7 6 5 4 3 2 1

F



嵌合相手
MATE WITH
51338-****

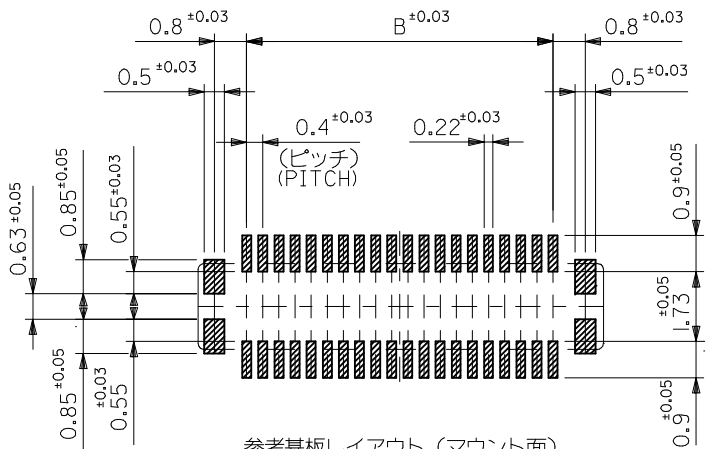
嵌合相手 MATE WITH
500913-****



嵌合断面図 (参考)
MATED DRAWING (REFERENCE)

嵌合断面図 (参考)
MATED DRAWING (REFERENCE)

B



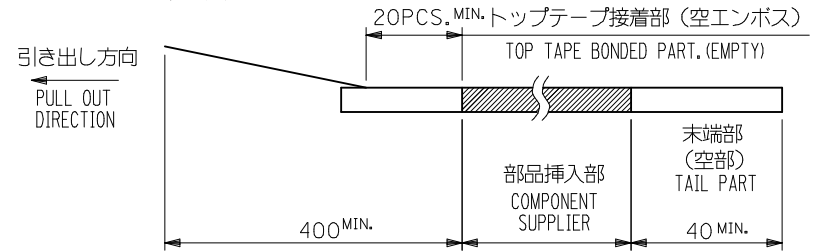
参考基板レイアウト (マウント面)
P.C.BOARD PATTERN DIMENSION.
(REFERENCE)
(MOUNTING AREA)

A

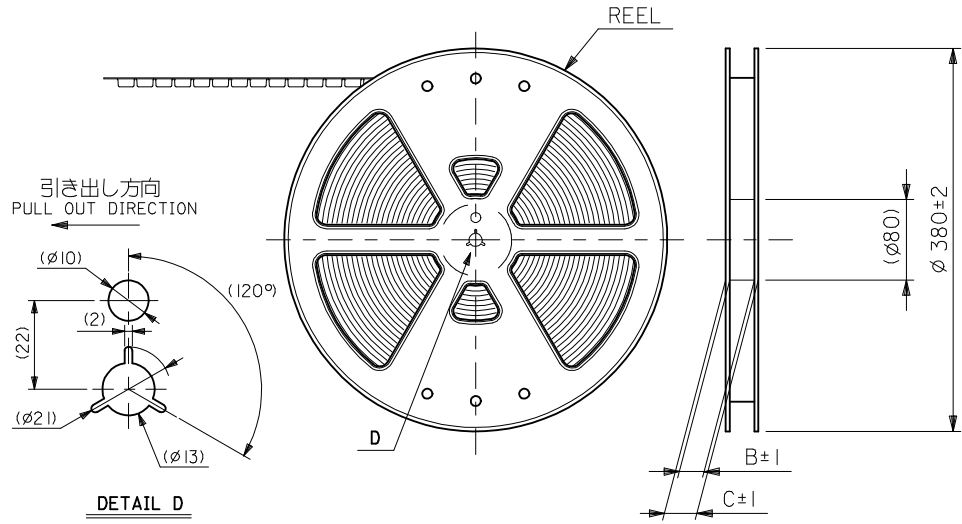
REVISED EC NO: J2010-0060 DRWN:MTAKAHASHI 03/2009/08/07 CHKD:THIRATA 2009/08/17 APPR:MSASAO 2009/08/17	GENERAL TOLERANCES (UNLESS SPECIFIED)		DIMENSION STYLE MM ONLY		SCALE ---	DESIGN UNITS METRIC	CONNECTOR SERIES No. 501745-***0
	10 UNDER	±0.2	DRAWN BY K. SAITO	DATE 2007/03/01	TITLE 0.4 B-TO-B CONN. PLUG ASSY (HGT=2/2.3) WITH NAIL		
	10 OVER 30 UNDER	±0.25	CHECKED BY K. KASAHARA	DATE 2007/03/01	MOLEX INCORPORATED		
	30 OVER	±0.3	APPROVED BY N. UKITA	DATE 2007/03/01	DOCUMENT NO. SD-501745-001		
ANGULAR ±3 °	DRAFT WHERE APPLICABLE MUST REMAIN WITHIN DIMENSIONS		MATERIAL NO. SEE SHEET 1		SHEET NO. 2 OF 2		
		SIZE A3		THIS DRAWING CONTAINS INFORMATION THAT IS PROPRIETARY TO MOLEX INCORPORATED AND SHOULD NOT BE USED WITHOUT WRITTEN PERMISSION			

NOTES

- 製品詳細寸法については製品単体図面を参照下さい。
RE DETAILED DIMENSION, SEE PRODUCT DRAWING.
- 梱包数量：2500個/リール
NUMBER OF CONNECTORS : 2500PCS/REEL
- リードテープ長さ LEAD TAPE LENGTH



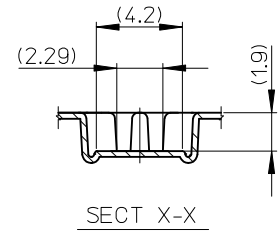
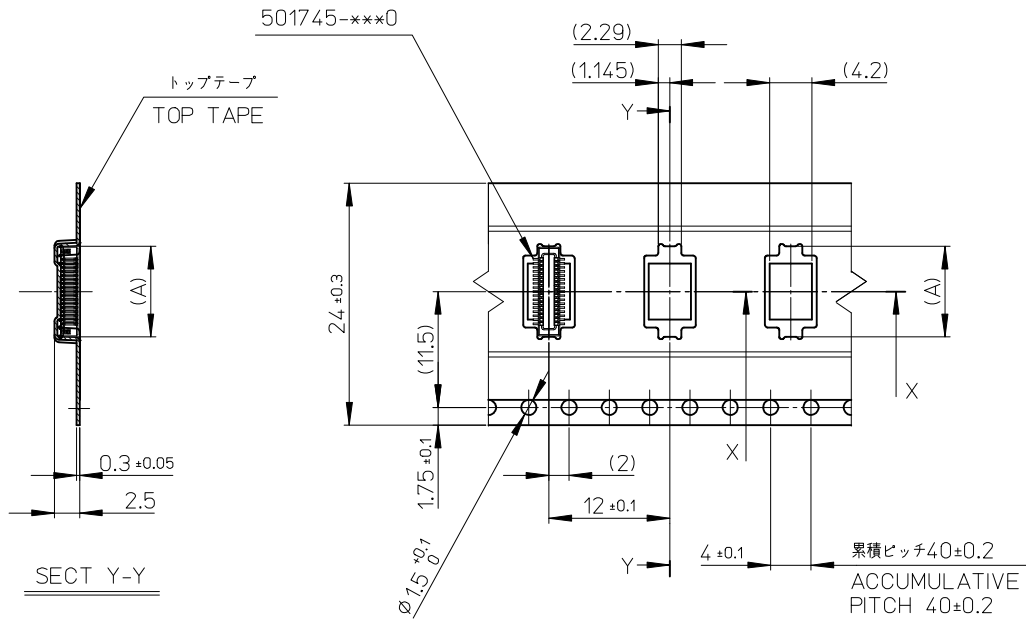
- 材料 MATERIAL
キャリアテープ (CARRIER TAPE) : ポリプロピレン (POLYPROPYLENE)
トップテープ (TOPTAPE) : PET , PE , PEF
リール (REEL) : ポリスチレン (PS) <リサイクル材を含む>
POLYSTYRENE (PS) <RECYCLE MATERIAL CONTAINED>
- ELV 及び RoHS 適合品
ELV AND RoHS COMPLIANT.



CONNECTOR SERIES No. 501745-***1

REVISED EC NO: J2010-0060 DRWN:MTAKAHASHI 03/2009/08/07 CHKD:THIRATA 2009/08/17 APPR:MSASAO 2009/08/17	GENERAL TOLERANCES (UNLESS SPECIFIED)		DIMENSION STYLE MM ONLY		SCALE ---	DESIGN UNITS METRIC	THIRD ANGLE PROJECTION
	10 UNDER	±0.2	DRAWN BY K. SAITO	DATE 2007/03/01	TITLE 0.4 B-TO-B CONN. PLUG ASSY (HGT=2/2.3) EMBSTP PKG		
	10 OVER 30 UNDER	±0.25	CHECKED BY K. KASAHARA	DATE 2007/03/01	MOLEX INCORPORATED		
	30 OVER	±0.3	APPROVED BY N. UKITA	DATE 2007/03/01	MATERIAL NO. SEE TABLE	DOCUMENT NO. SD-501745-002	SHEET NO. 1 OF 3
	ANGULAR ±3 °	THIS DRAWING CONTAINS INFORMATION THAT IS PROPRIETARY TO MOLEX INCORPORATED AND SHOULD NOT BE USED WITHOUT WRITTEN PERMISSION					
	DRAFT WHERE APPLICABLE MUST REMAIN WITHIN DIMENSIONS						

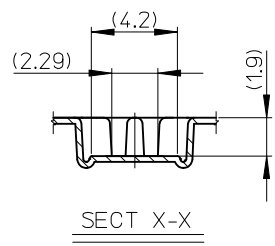
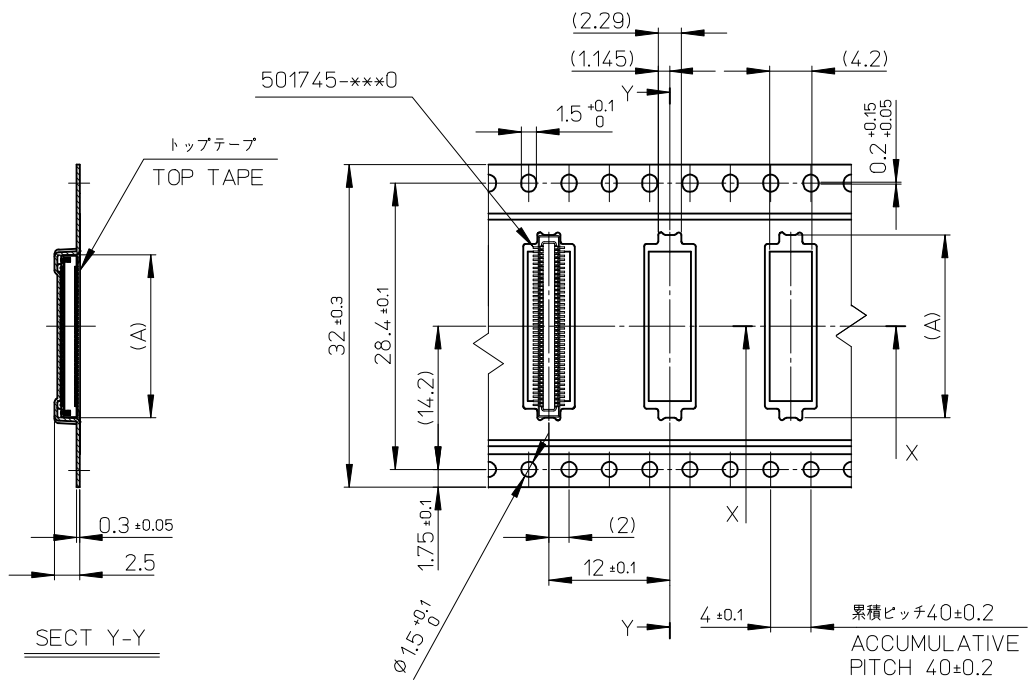
引き出し方向
PULL OUT
DIRECTION



24	29.4	25.4	14.16	501745-0601	60
			12.16	501745-0501	50
			10.16	501745-0401	40
			8.96	501745-0341	34
キャリアテープ幅 CARRIER TAPE WIDTH	C	B	(A)	EMBOSSED PACKAGE ORDER NO.	極数 CKT.

REVISED EC NO: J2010-0060 DRWN:MTAKAHASHI 03/2009/08/07 CHKD:THIRATA 2009/08/17 APPR:MSASAO 2009/08/17	GENERAL TOLERANCES (UNLESS SPECIFIED)		DIMENSION STYLE MM ONLY		SCALE ---		DESIGN UNITS METRIC		CONNECTOR SERIES No. 501745-***1	
	10 UNDER	±0.2	DRAWN BY K. SAITO		DATE 2007/03/01		TITLE		0.4 B-TO-B CONN. PLUG ASSY (HGT=2/2.3) EMBSTP PKG MOLEX INCORPORATED	
	10 OVER 30 UNDER	±0.25	CHECKED BY K. KASAHARA		DATE 2007/03/01					
	30 OVER	±0.3	APPROVED BY N. UKITA		DATE 2007/03/01					
ANGULAR	±3 °	DRAFT WHERE APPLICABLE MUST REMAIN WITHIN DIMENSIONS		MATERIAL NO. SEE TABLE		DOCUMENT NO. SD-501745-002		SHEET NO. 2 OF 3		
C	REV	THIS DRAWING CONTAINS INFORMATION THAT IS PROPRIETARY TO MOLEX INCORPORATED AND SHOULD NOT BE USED WITHOUT WRITTEN PERMISSION								

引き出し方向
PULL OUT
DIRECTION



32	37.4	33.4	18.16	501745-0801	80
キャリアテープ幅 CARRIER TAPE WIDTH	C	B	(A)	EMBOSSED PACKAGE ORDER NO.	極数 CKT.

REVISED EC NO: J2010-0060 DRWN:MTAKAHASHI 03/2009/08/07 CHKD:THIRATA 2009/08/17 APPR:MSASAO 2009/08/17	GENERAL TOLERANCES (UNLESS SPECIFIED)		DIMENSION STYLE MM ONLY		SCALE ---	DESIGN UNITS METRIC	THIRD ANGLE PROJECTION
	10 UNDER	±0.2	DRAWN BY K. SAITO	DATE 2007/03/01	TITLE 0.4 B-TO-B CONN. PLUG ASSY (HGT=2/2.3) EMBSTP PKG		
	10 OVER 30 UNDER	±0.25	CHECKED BY K. KASAHARA	DATE 2007/03/01	MOLEX INCORPORATED		
	30 OVER	±0.3	APPROVED BY N. UKITA	DATE 2007/03/01	MATERIAL NO. SEE TABLE	DOCUMENT NO. SD-501745-002	SHEET NO. 3 OF 3
	ANGULAR ±3 °	THIS DRAWING CONTAINS INFORMATION THAT IS PROPRIETARY TO MOLEX INCORPORATED AND SHOULD NOT BE USED WITHOUT WRITTEN PERMISSION					
	DRAFT WHERE APPLICABLE MUST REMAIN WITHIN DIMENSIONS						