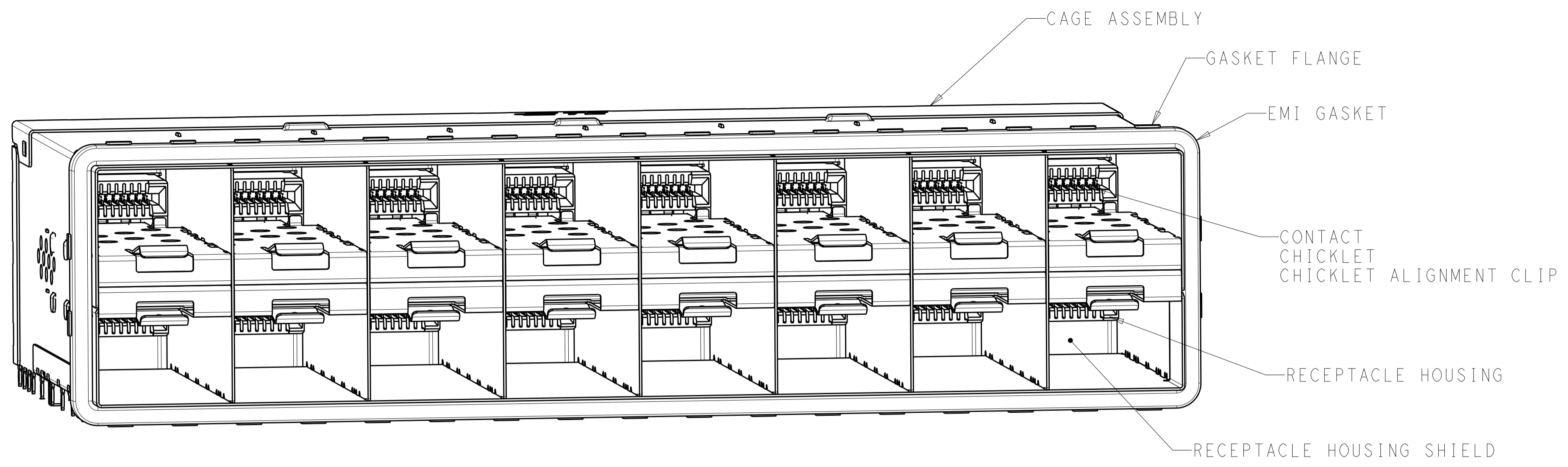
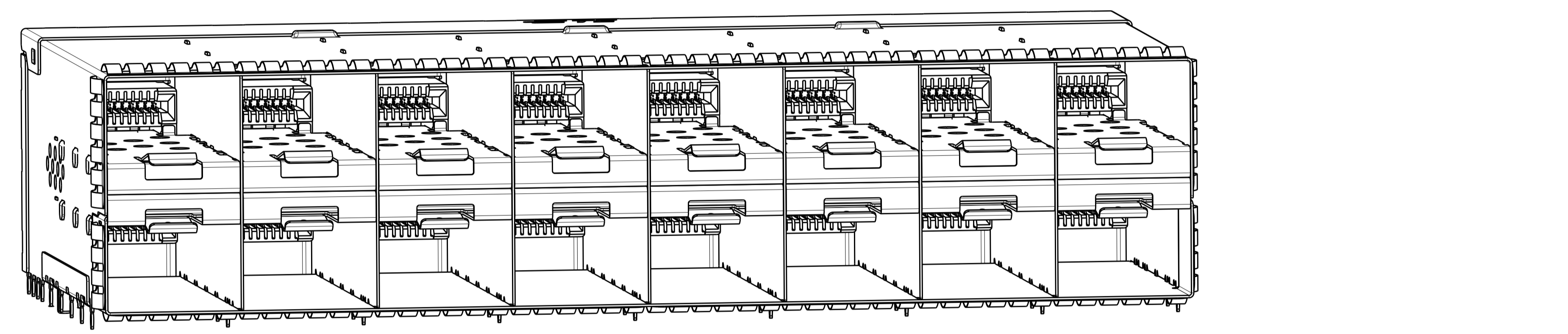


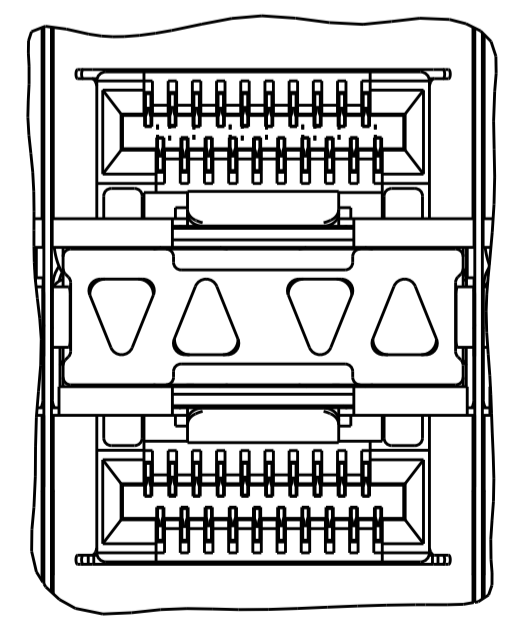
LOC	DIST	REVISIONS					
GP	00	P	LTN	DESCRIPTION	DATE	DWN	APVD
		B		REVISED PER ECO-15-010819	20SEP2015	PP	SH
		B1		REVISED PER ECO-16-004263	17MAR2016	KO	SH
		B2		ADD -32	12JUL2016	PP	SH
		B3		AD -40	20SEP2016	PP	SH



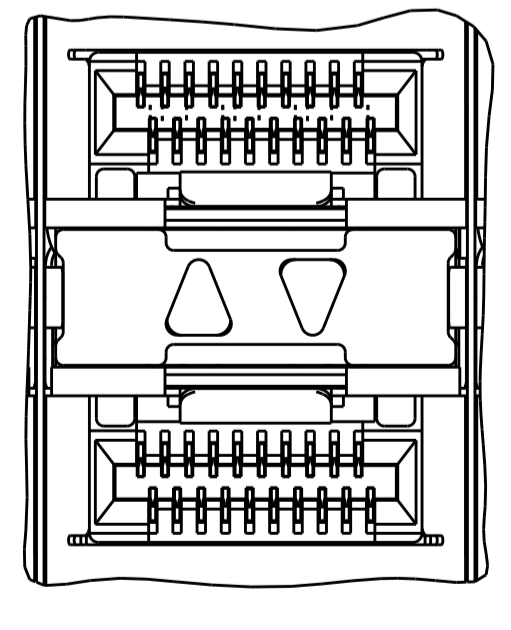
2198346-1



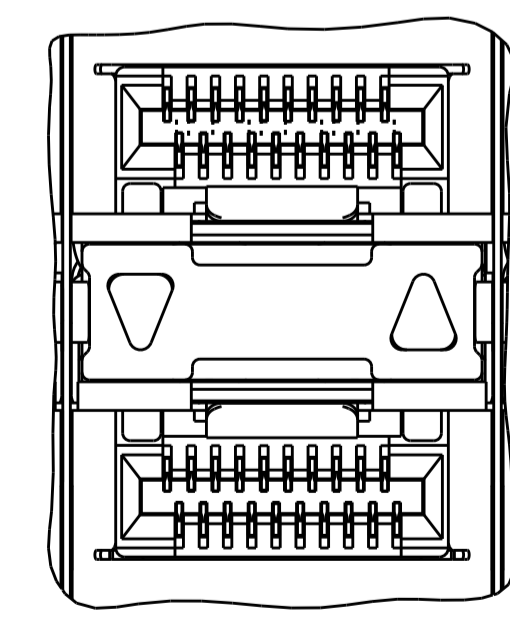
2198346-5



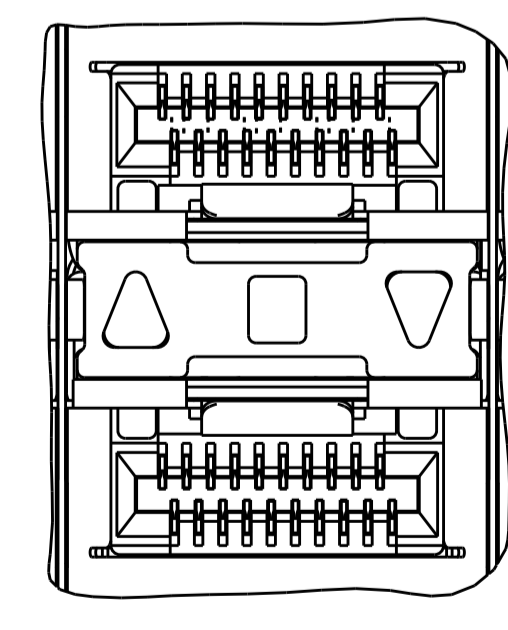
INNER/OUTER LIGHT PIPE
 2198346-2, 2198346-6
 SCALE 4:1



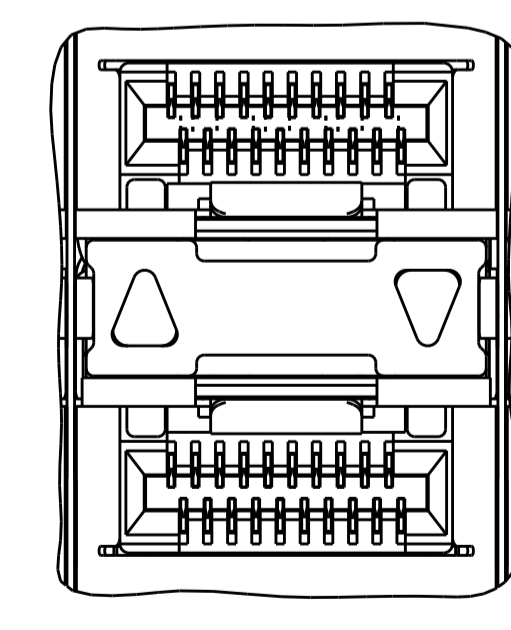
INNER LIGHT PIPE
 2198346-3, 2198346-7
 4-2198346-0
 SCALE 4:1



OUTER LIGHT PIPES
 2198346-4, 2198346-8
 SCALE 4:1



CENTER/REVERSED OUTER LIGHT PIPES
 1-2198346-7, 1-2198346-9
 SCALE 4:1



REVERSED OUTER LIGHT PIPES
 1-2198346-8, 2-2198346-0
 SCALE 4:1

- MATERIALS:
 CAGE ASSEMBLY - NICKEL-SILVER ALLOY PER ASTM B 122
 CONNECTOR HOUSING - LCP, BLACK, UL 94V-0 RATED
 CONNECTOR HOUSING SHIELD - COPPER ALLOY
 CHICKLET - LCP, BLACK, UL 94V-0 RATED
 CHICKLET ALIGNMENT CLIP - PBT
 CONTACT - COPPER ALLOY
 EMI GASKET - ELASTOMERIC
 GASKET FLANGE - STAINLESS STEEL
 EMI SPRINGS - PHOSPHOR BRONZE PER ASTM B 103,
 0.8µm MIN TIN PER ASTM B 545
 LIGHT PIPE - POLYCARBONATE
 LIGHT PIPE HOUSING - ZINC ALLOY
- CONTACT FINISH:
 CONFORMS TO THE REQUIREMENTS OF PRODUCT SPECIFICATION
 108-2481, BASED ON EIA/ECA-364-1000.01A, (CONTROLLED
 ENVIRONMENT APPLICATIONS) ON MATING INTERFACE,
 TIN ON NEEDLE EYE
- PCB MINIMUM THICKNESS = 1.5mm
- FOR HOLE SIZE AND PLATINGS,
 SEE APPLICATION SPECIFICATION 114-13319
- LIGHT PIPE PAD LAYOUT IS FOR 0805 LOW PROFILE
 LED PACKAGE WITH A HEIGHT OF 0.8mm
- DIMENSIONS APPLY FOR EMI SPRINGS ONLY
- THE ENTIRE AREA OF THE CONNECTOR FOOTPRINT, INDICATED BY THE
 DASHED LINE, TO BE CONSIDERED THE KEEPOUT AREA FOR COMPONENTS
 AND SIGNAL TRACES, TOP SIDE ONLY, TOP SIDE TRACES ALLOWED
 WITHIN CONNECTOR HOLE PATTERN
- THE DIMENSIONS APPLY TO 4-2198346-0 ONLY.

116.5	THERMAL HOLE TOP SURFACE	INNER	4-2198346-0	
119.25	EMI GASKET LOW PROFILE FLANGE	INNER	3-2198346-2	
116.5	EMI SPRINGS AIRFLOW ENHANCE TYPE	NONE	3-2198346-1	
119.25	EMI GASKET AIRFLOW ENHANCE TYPE	NONE	3-2198346-0	
116.5	EMI SPRINGS	REVERSED OUTER	2-2198346-0	
		CENTER/REVERSED OUTER	1-2198346-9	
119.25	EMI GASKET	REVERSED OUTER	1-2198346-8	
		CENTER/REVERSED OUTER	1-2198346-7	
116.5	EMI SPRINGS	OUTER	2198346-8	
		INNER	2198346-7	
		INNER/OUTER	2198346-6	
119.25	EMI GASKET	NONE	2198346-5	
		OUTER	2198346-4	
		INNER	2198346-3	
		INNER/OUTER	2198346-2	
(E)	CAGE TYPE	NONE	2198346-1	
		LIGHT PIPE CONFIGURATION		PART NUMBER

THIS DRAWING IS A CONTROLLED DOCUMENT. DWN: M.E. CONNER 09DEC2011
 CHG: M.D. MORRISON 13DEC2011
 APVD: M.D. MORRISON 13DEC2011

STE TE Connectivity

NAME: RECEPTACLE ASSEMBLY, 2X8, STACKED, zSFP+

PRODUCT SPEC: 108-2481
 APPLICATION SPEC: 114-13319

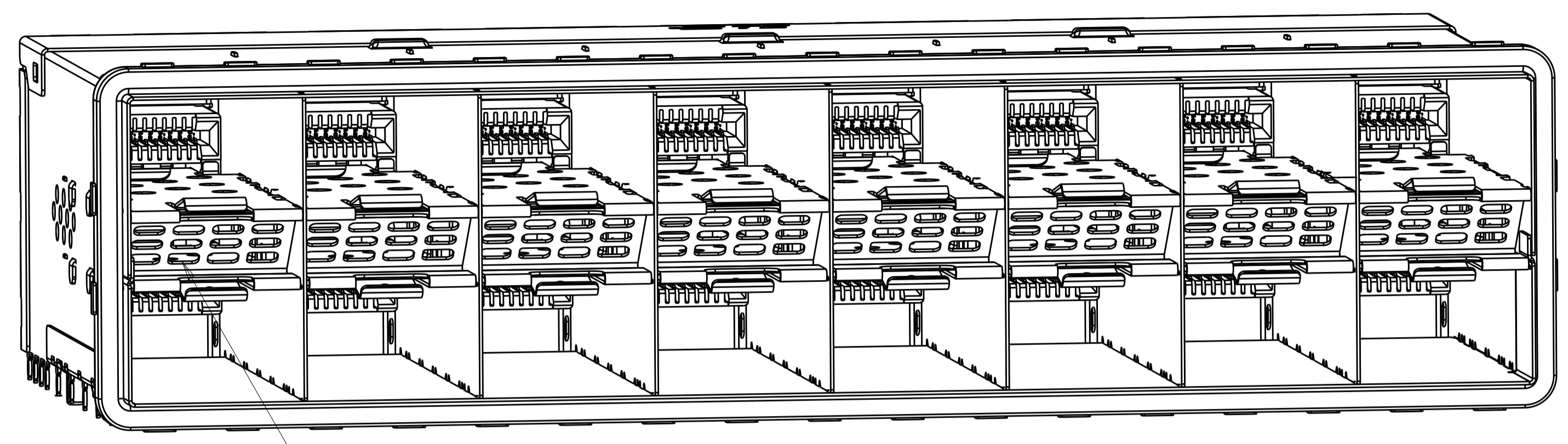
SIZE: CAGE CODE DRAWING NO: A100779C=2198346
 RESTRICTED TO: -

MATERIAL: SEE NOTES
 FINISH: SEE NOTES
 WEIGHT: -
 Customer Drawing

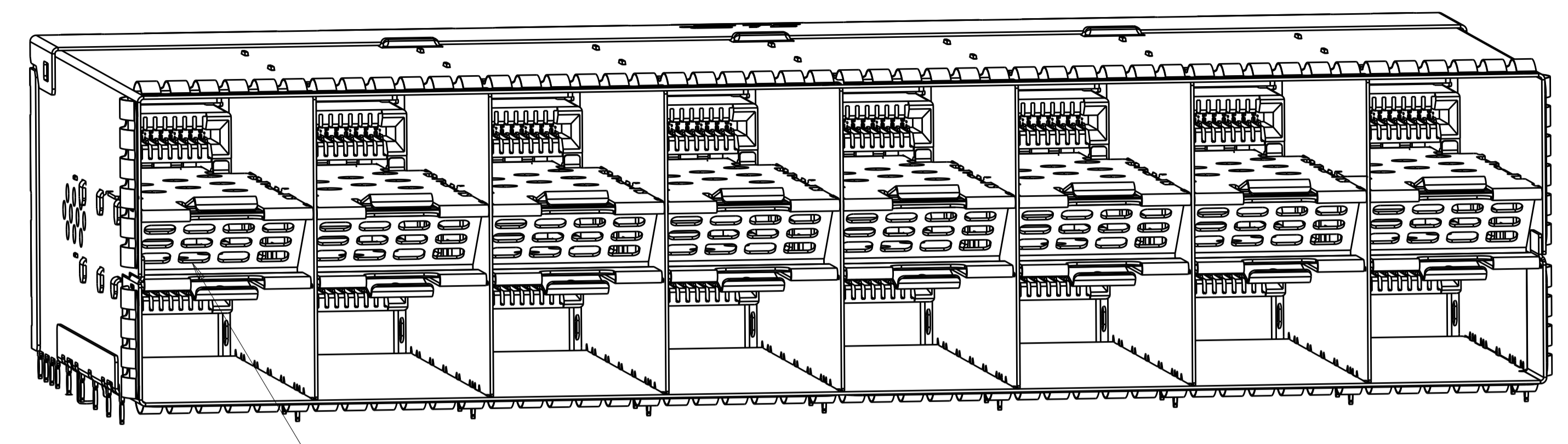
SCALE: 3:1 SHEET 1 OF 6 REV: B3

LOC		DIST		REVISIONS			
P.	LTN	DESCRIPTION	DATE	OWN	APVD		
-	-	SEE SHEET 1	-	-	-		

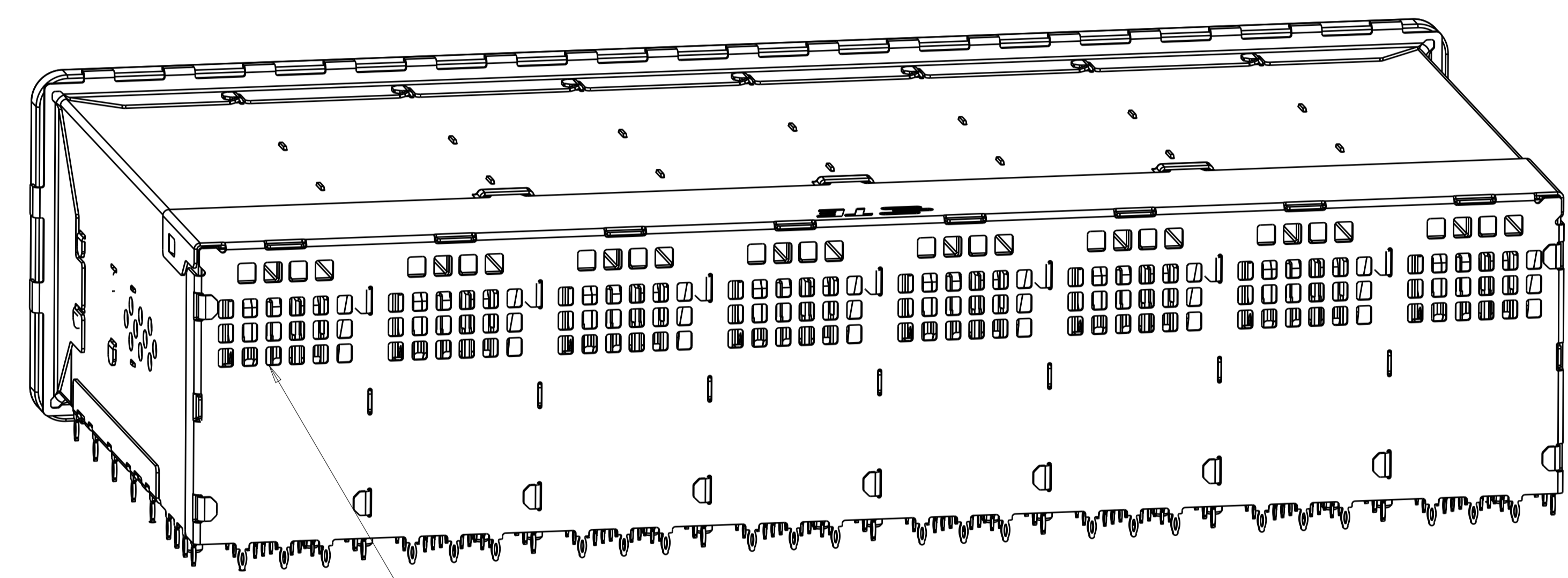
AIRFLOW ENHANCE TYPE



AIR VENTS

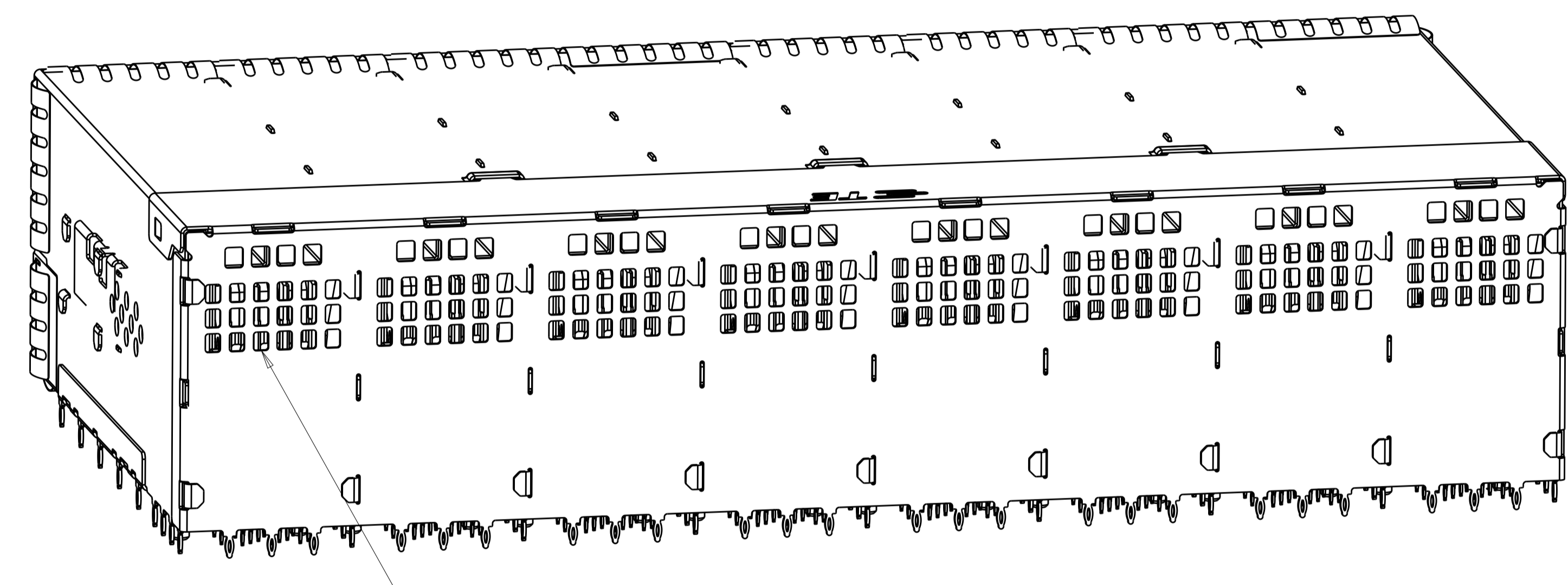


AIR VENTS



AIR VENTS

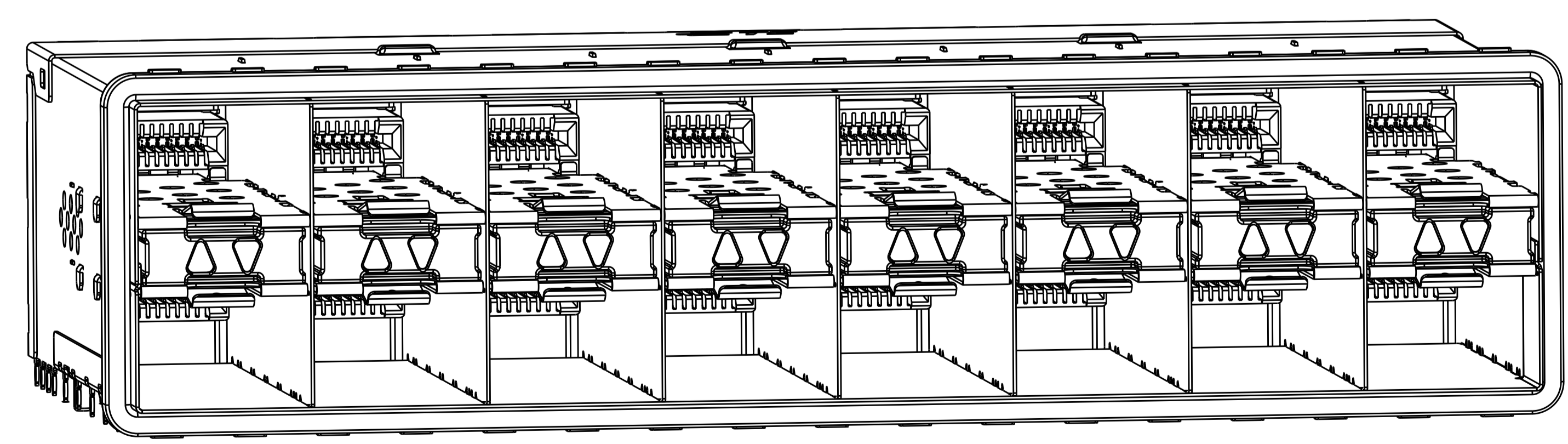
3-2198346-0
EMI GASKET TYPE



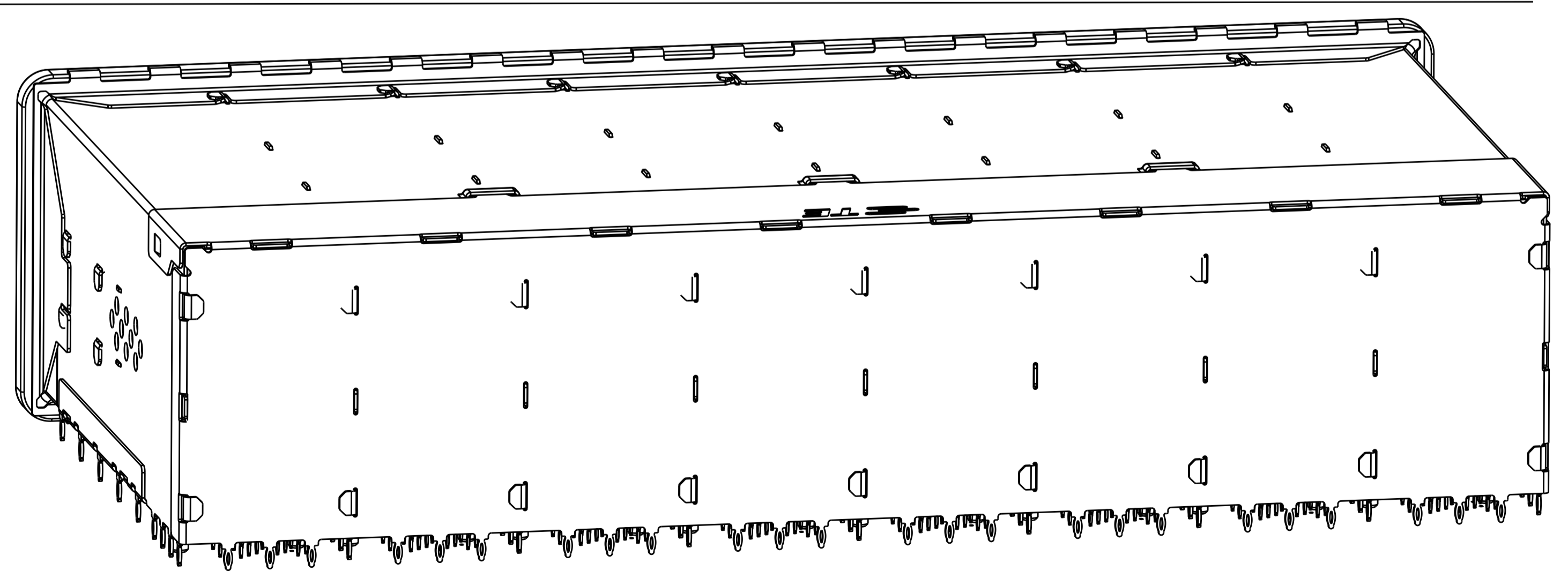
AIR VENTS

3-2198346-1
EMI SPRING TYPE

EMI GASKET TYPE WITH LOW PROFILE FLANGE



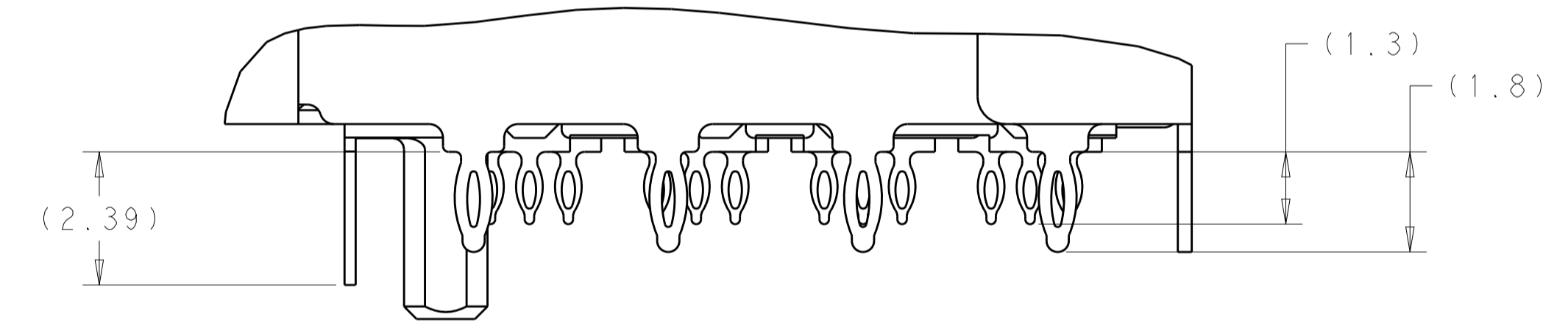
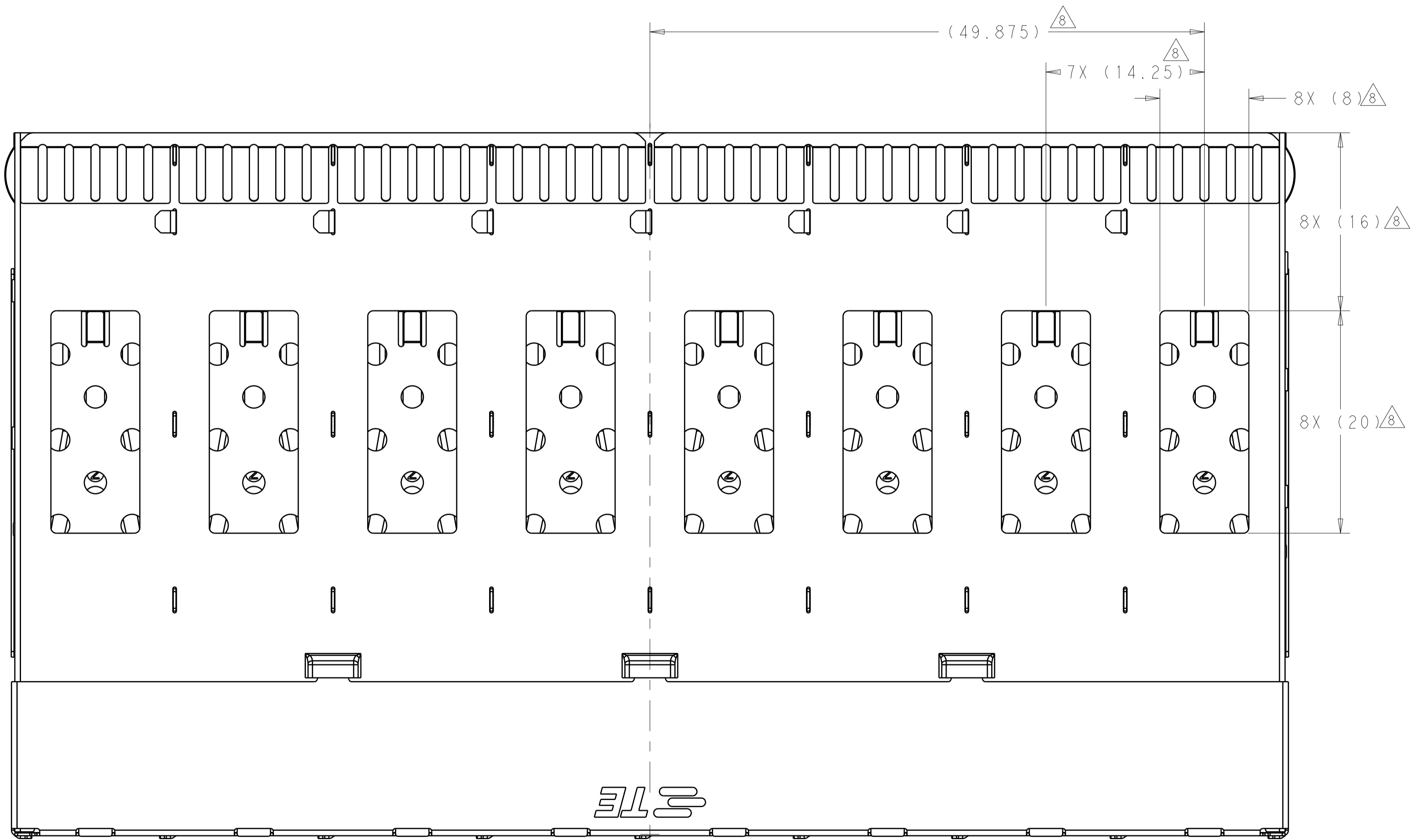
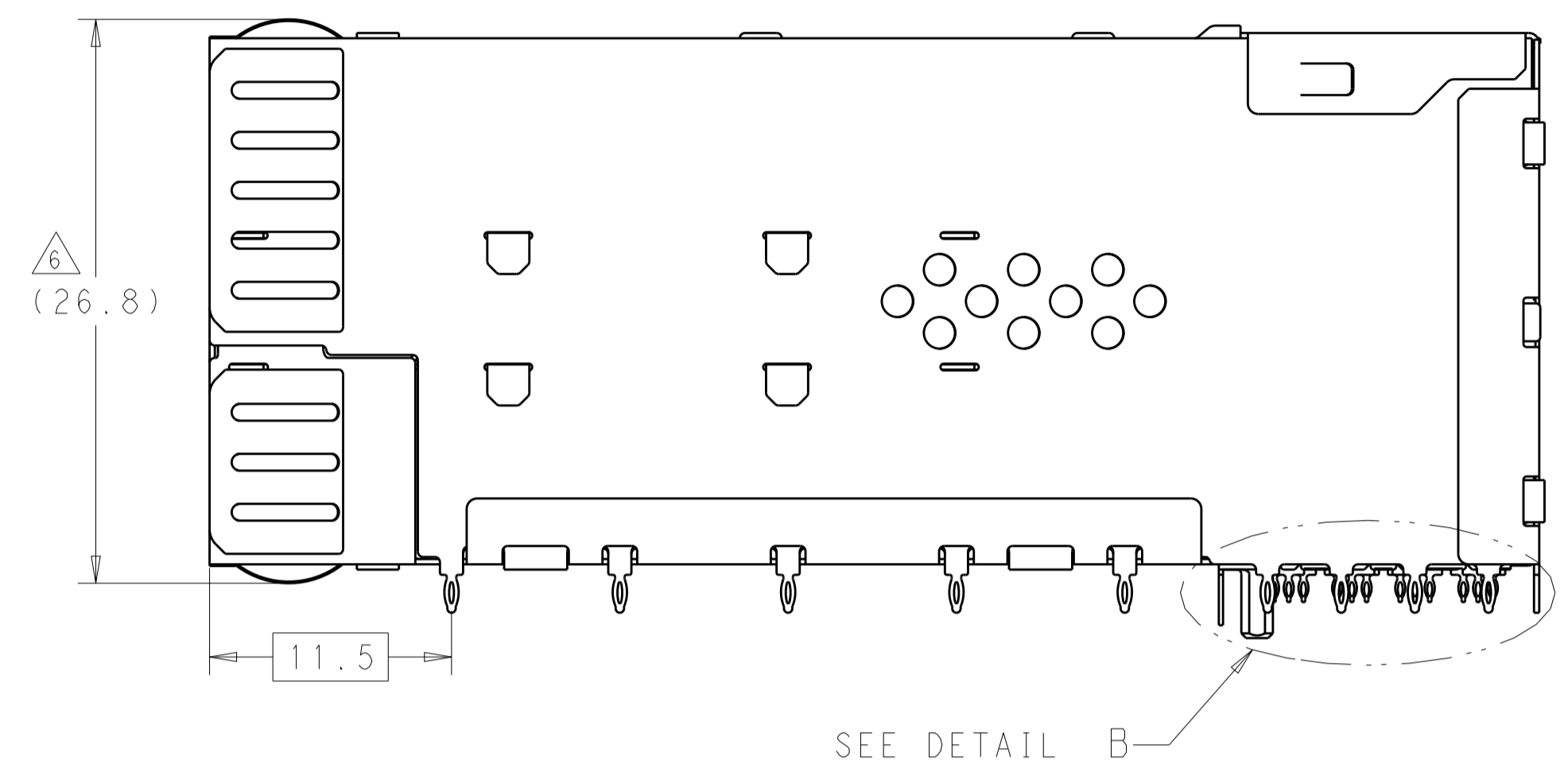
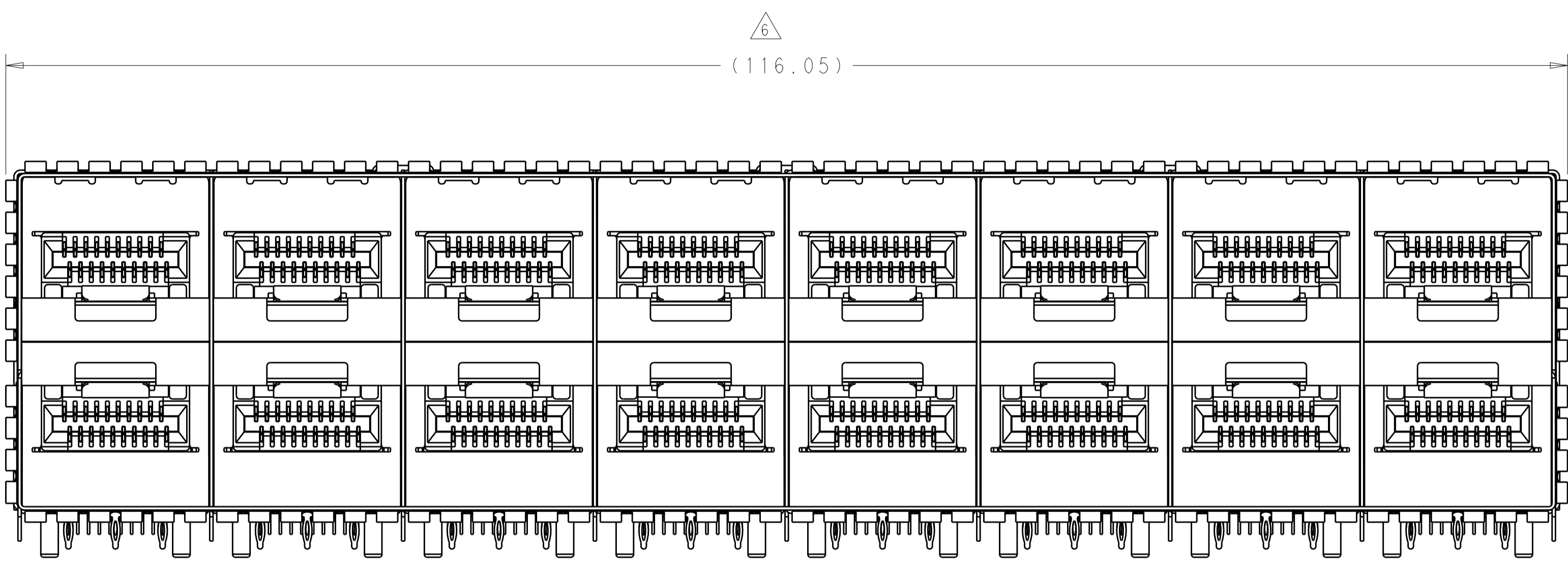
3-2198346-2



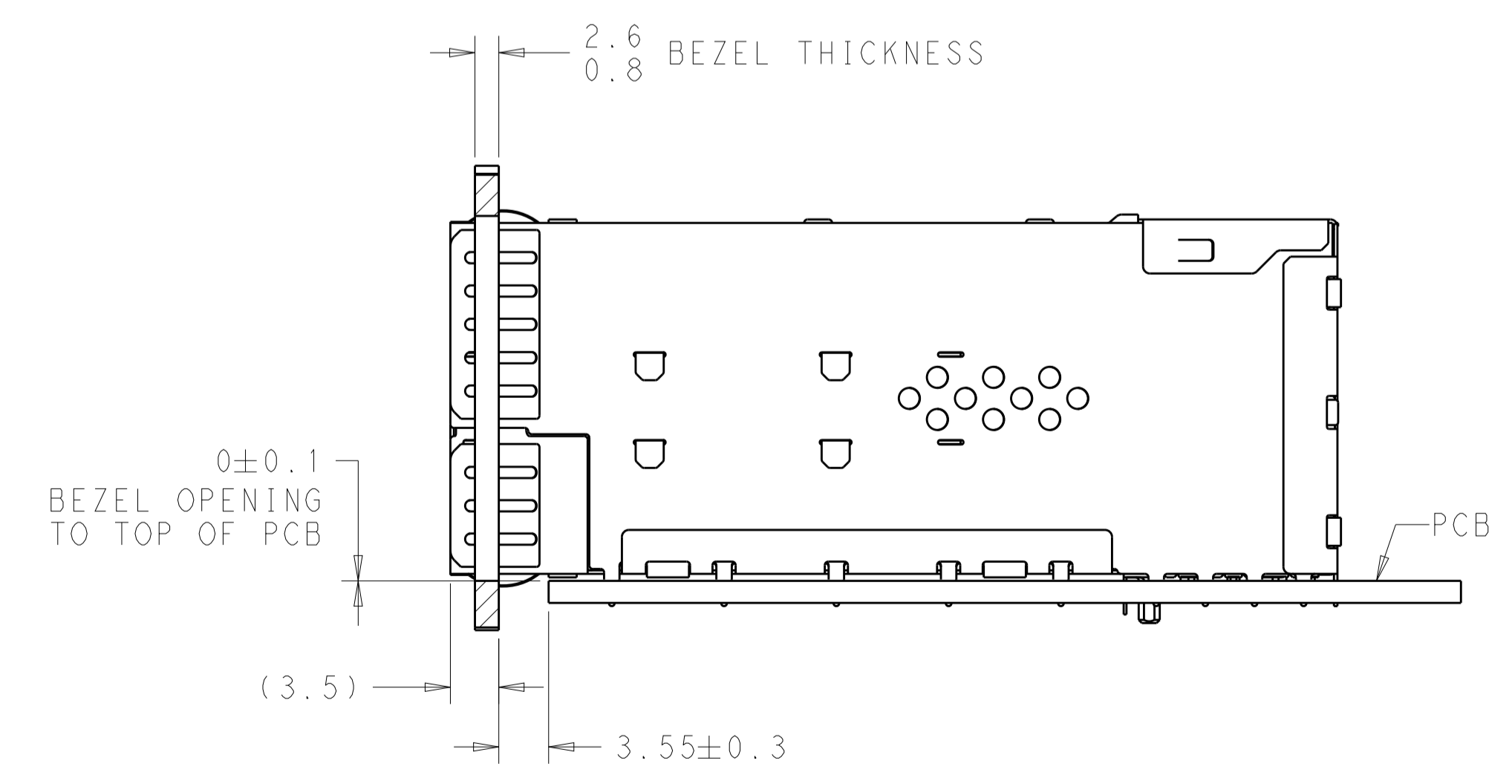
THIS DRAWING IS A CONTROLLED DOCUMENT.		OWN: M.E. CONNER 09DEC2011	TE Connectivity NAME: RECEPTACLE ASSEMBLY, 2X8, STACKED, 2SFP+ SIZE: CAGE CODE DRAWING NO: A100779C=2198346 RESTRICTED TO:
DIMENSIONS: mm		CHK: M.D. MORRISON 13DEC2011	
TOLERANCES UNLESS OTHERWISE SPECIFIED: 0 PLC ± 1 PLC ±0.20 2 PLC ±0.15 3 PLC ±0.10 4 PLC ± ANGLES ±		APVD: M.D. MORRISON 13DEC2011	
MATERIAL: SEE NOTES		FINISH: SEE NOTES	
WEIGHT: 114-13319 SCALE: 1:1 SHEET 2 OF 6 REV: B3		PRODUCT SPEC: 108-2481 APPLICATION SPEC: Customer Drawing	SCALE: 1:1 SHEET 2 OF 6 REV: B3

2198346-5 THRU 2198346-8, 1-2198346-9, 2-2198346-0, 4-2198346-0
 EMI SPRINGS ONLY

LOC		DIST		REVISIONS			
P	LTN	DESCRIPTION	DATE	DWN	APVD		
-	-	SEE SHEET 1	-	-	-		



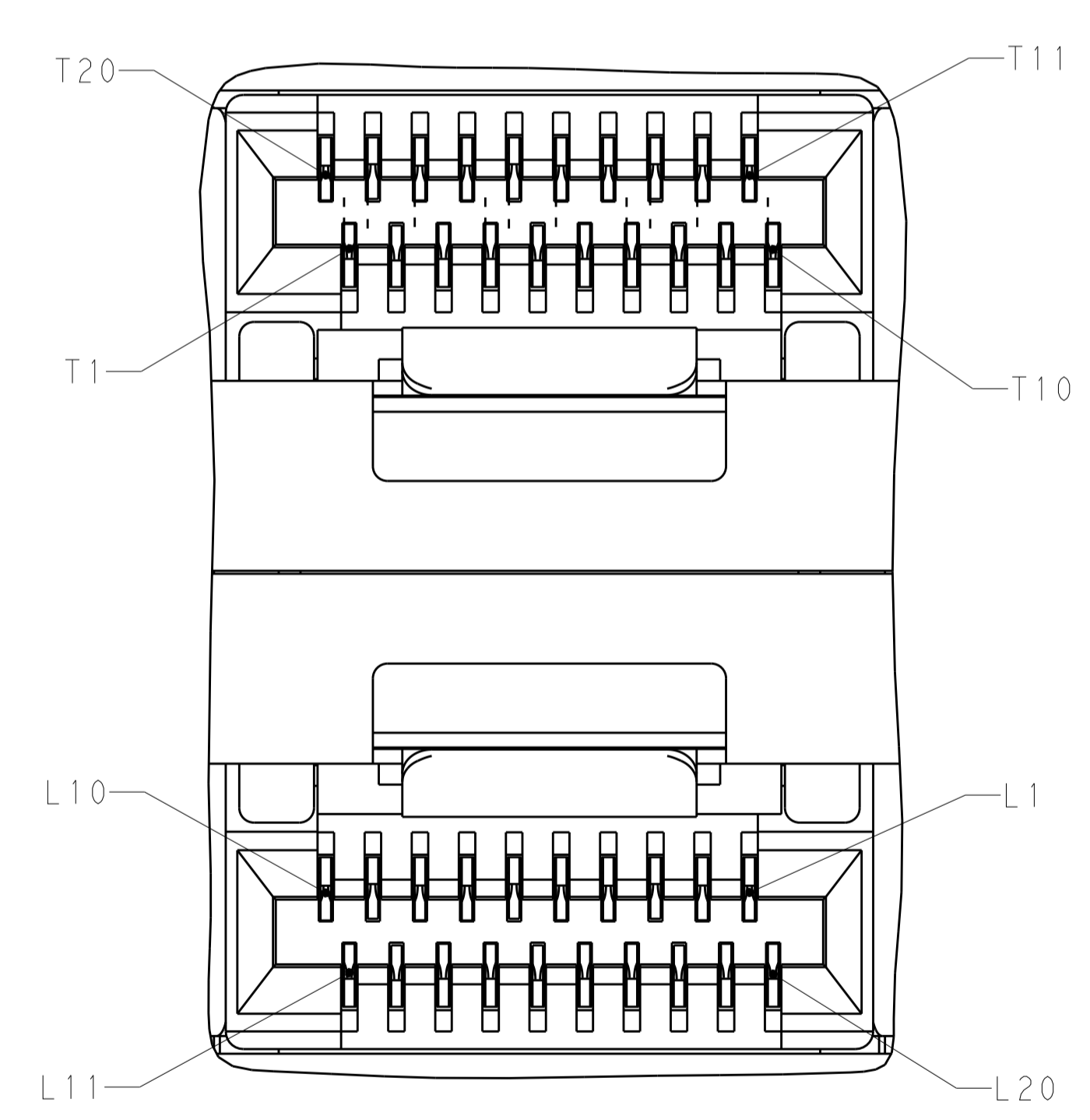
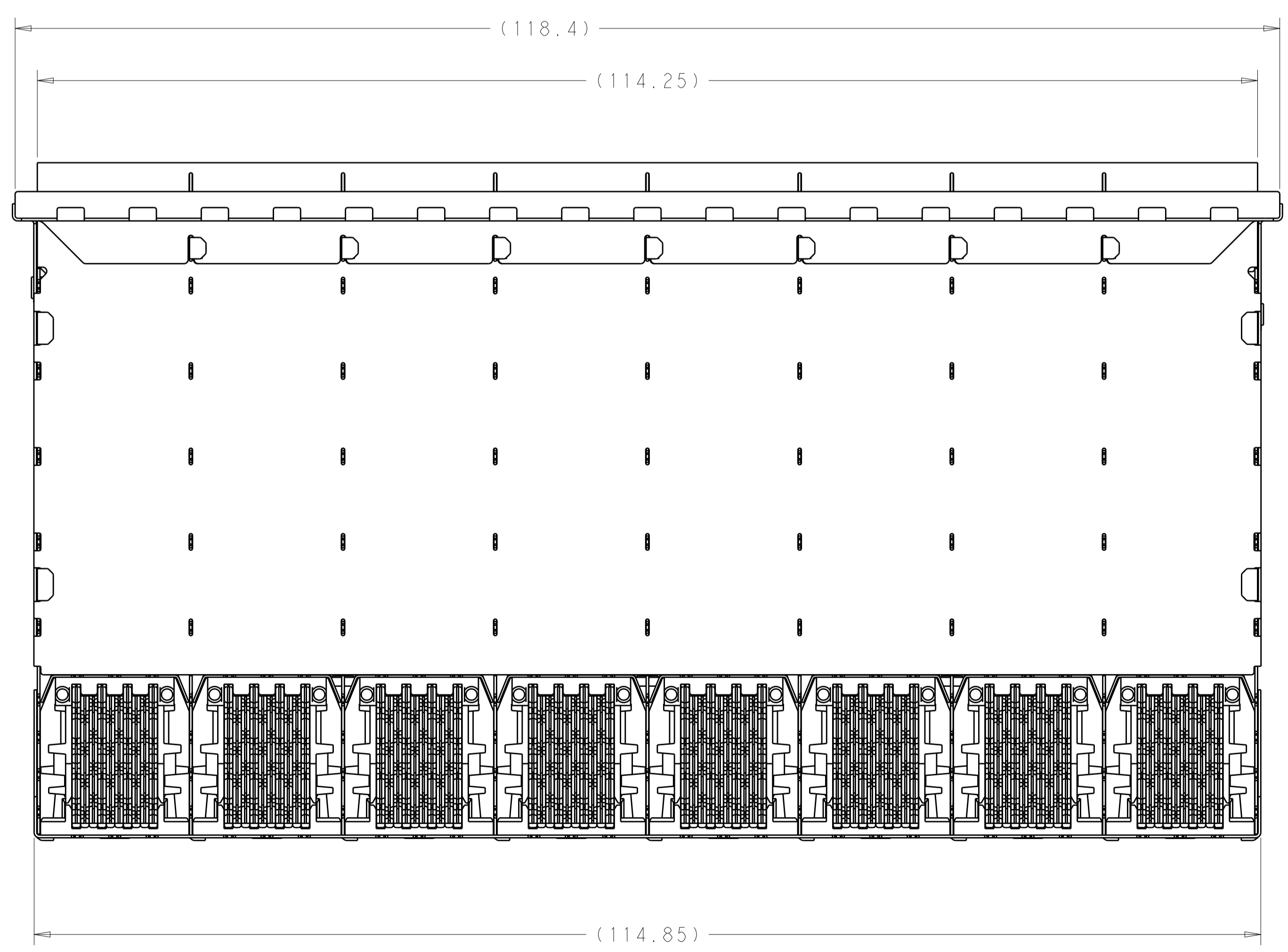
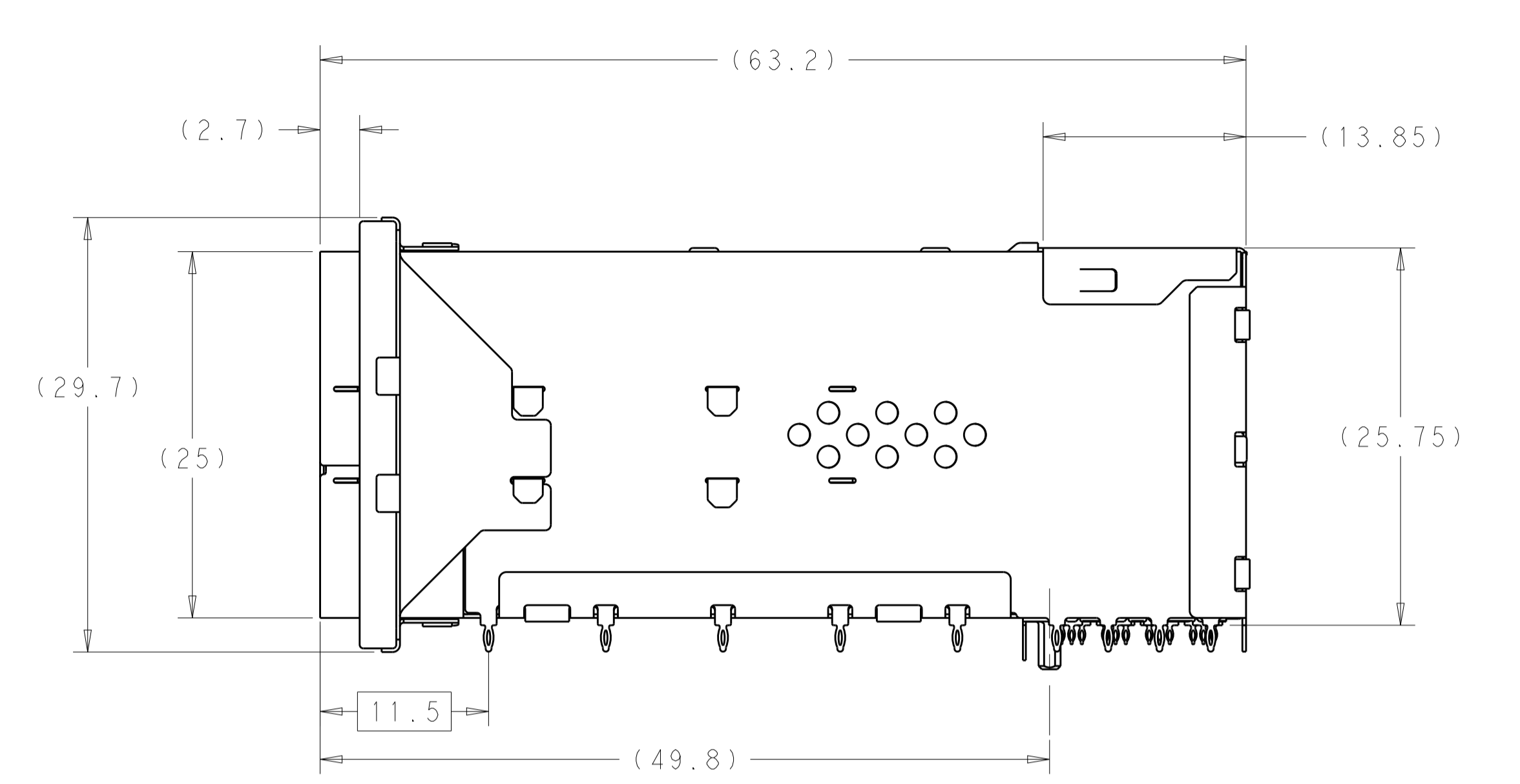
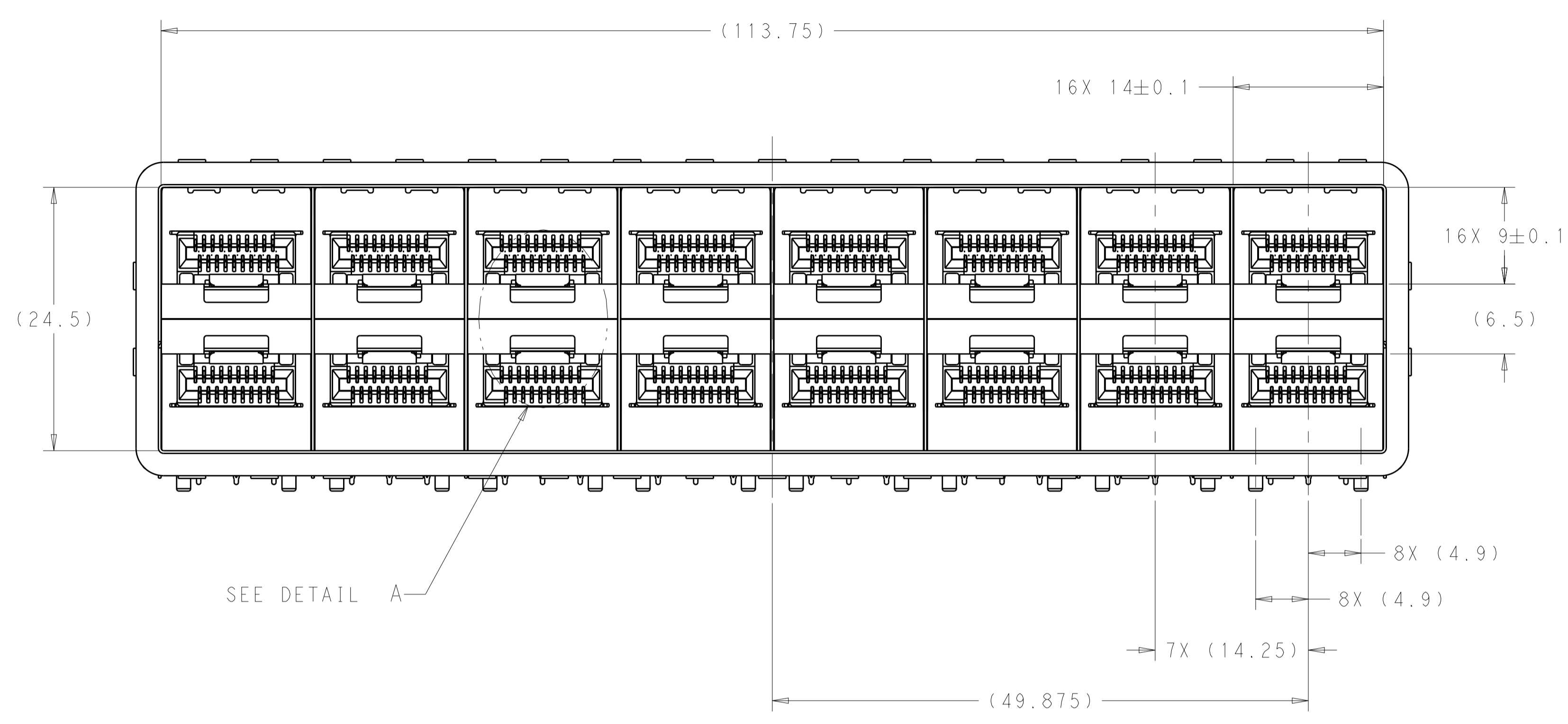
DETAIL B
 SCALE 10:1



RECOMMENDED BEZEL LOCATION WITH EMI SPRINGS
 SCALE 5:2

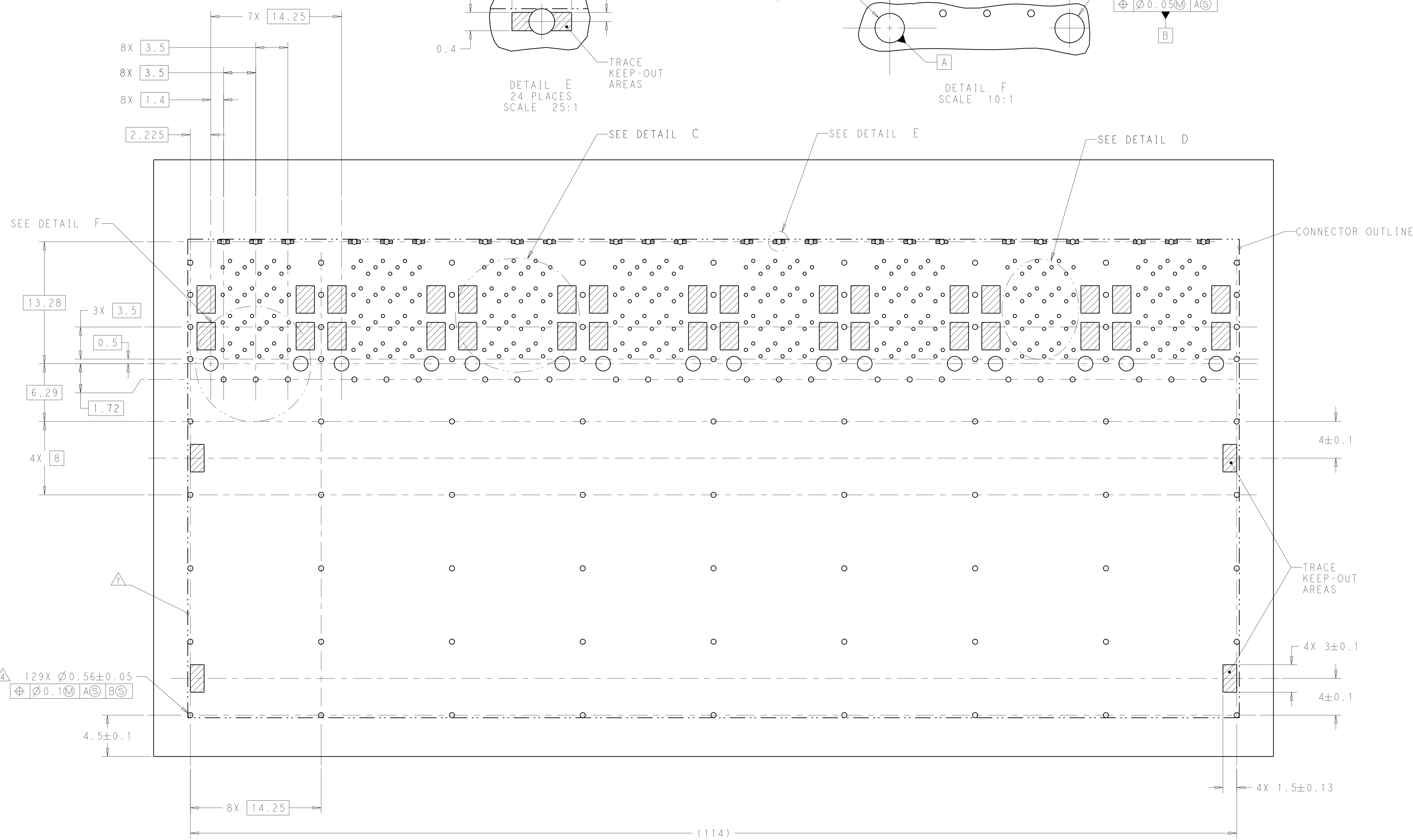
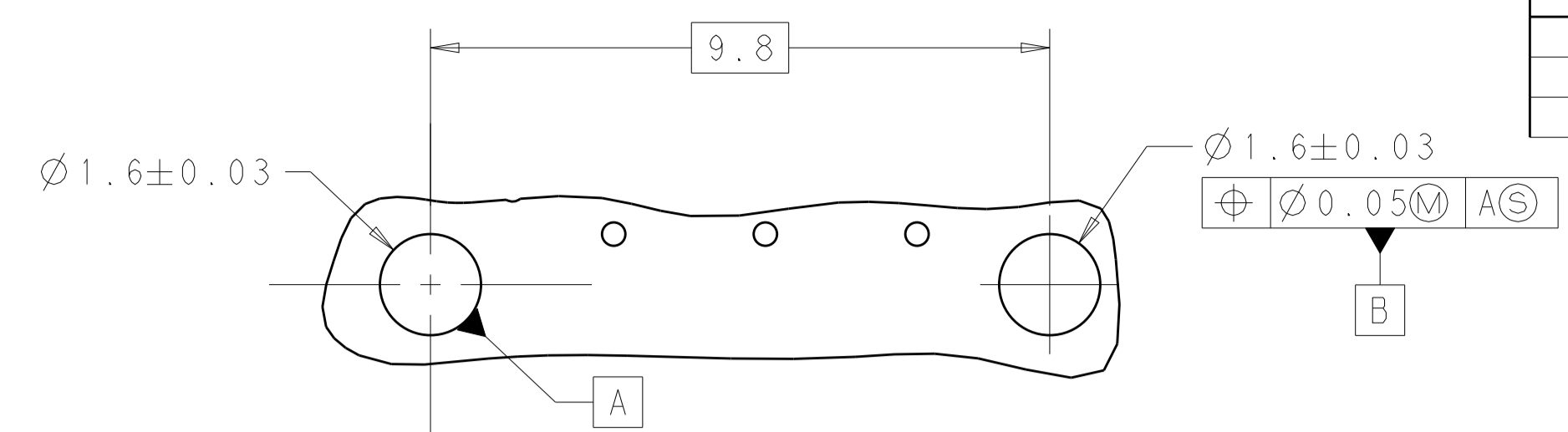
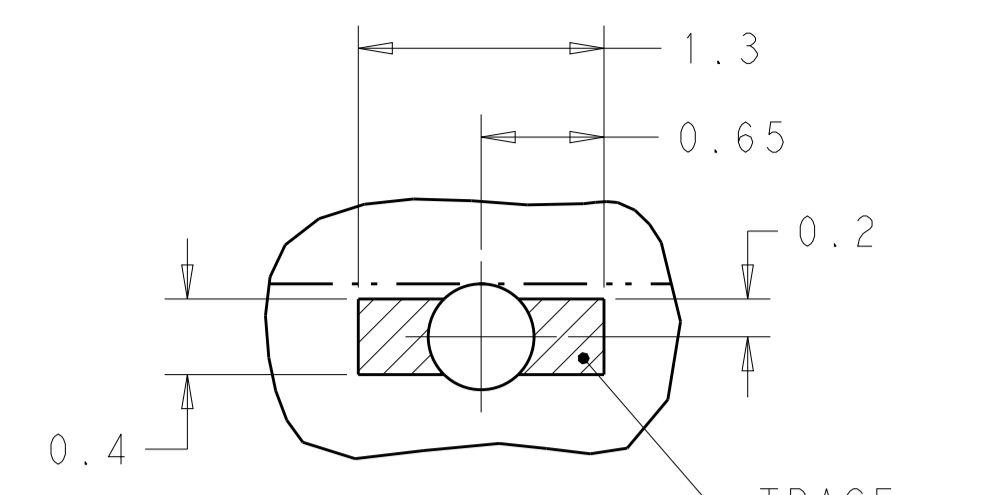
THIS DRAWING IS A CONTROLLED DOCUMENT.		DWN: M.E. CONNER 09DEC2011	TE Connectivity
DIMENSIONS: mm		CHK: M.D. MORRISON 13DEC2011	
TOLERANCES UNLESS OTHERWISE SPECIFIED:		APVD: M.D. MORRISON 13DEC2011	NAME: RECEPTACLE ASSEMBLY, 2X8, STACKED, zSFP+
0 PLC ±0.20	1 PLC ±0.15	PRODUCT SPEC: 108-2481	SIZE: CAGE CODE DRAWING NO: A100779C=2198346
2 PLC ±0.10	3 PLC ±0.10	APPLICATION SPEC: 114-13319	RESTRICTED TO: -
4 PLC ±0.10	ANGLES ±0.10	WEIGHT: -	SCALE: 1:1 SHEET 3 OF 6 REV: B3
MATERIAL: SEE NOTES	FINISH: SEE NOTES	Customer Drawing	

LOC	DIST	REVISIONS			
P	LTN	DESCRIPTION	DATE	DWN	APVD
-	-	SEE SHEET 1	-	-	-



THIS DRAWING IS A CONTROLLED DOCUMENT.		DWN: M.E. CONNER 09DEC2011	TE Connectivity
DIMENSIONS: mm		CHK: M.D. MORRISON 13DEC2011	
TOLERANCES UNLESS OTHERWISE SPECIFIED:		APVD: M.D. MORRISON 13DEC2011	NAME: RECEPTACLE ASSEMBLY, 2X8, STACKED, zSFP+
0 PLC ±0.20 1 PLC ±0.15 2 PLC ±0.15 3 PLC ±0.10 4 PLC ±0.10 ANGLES ±°		PRODUCT SPEC: 108-2481	
MATERIAL: SEE NOTES		APPLICATION SPEC: 114-13319	SIZE: A1
FINISH: SEE NOTES		WEIGHT: -	CAGE CODE: 2198346
		Customer Drawing	SCALE: 1:1 SHEET 4 OF 6 REV: B3

LOC	DIST	REVISIONS			
P.	LTN	DESCRIPTION	DATE	DMN	APVD
-	-	SEE SHEET 1	-	-	-

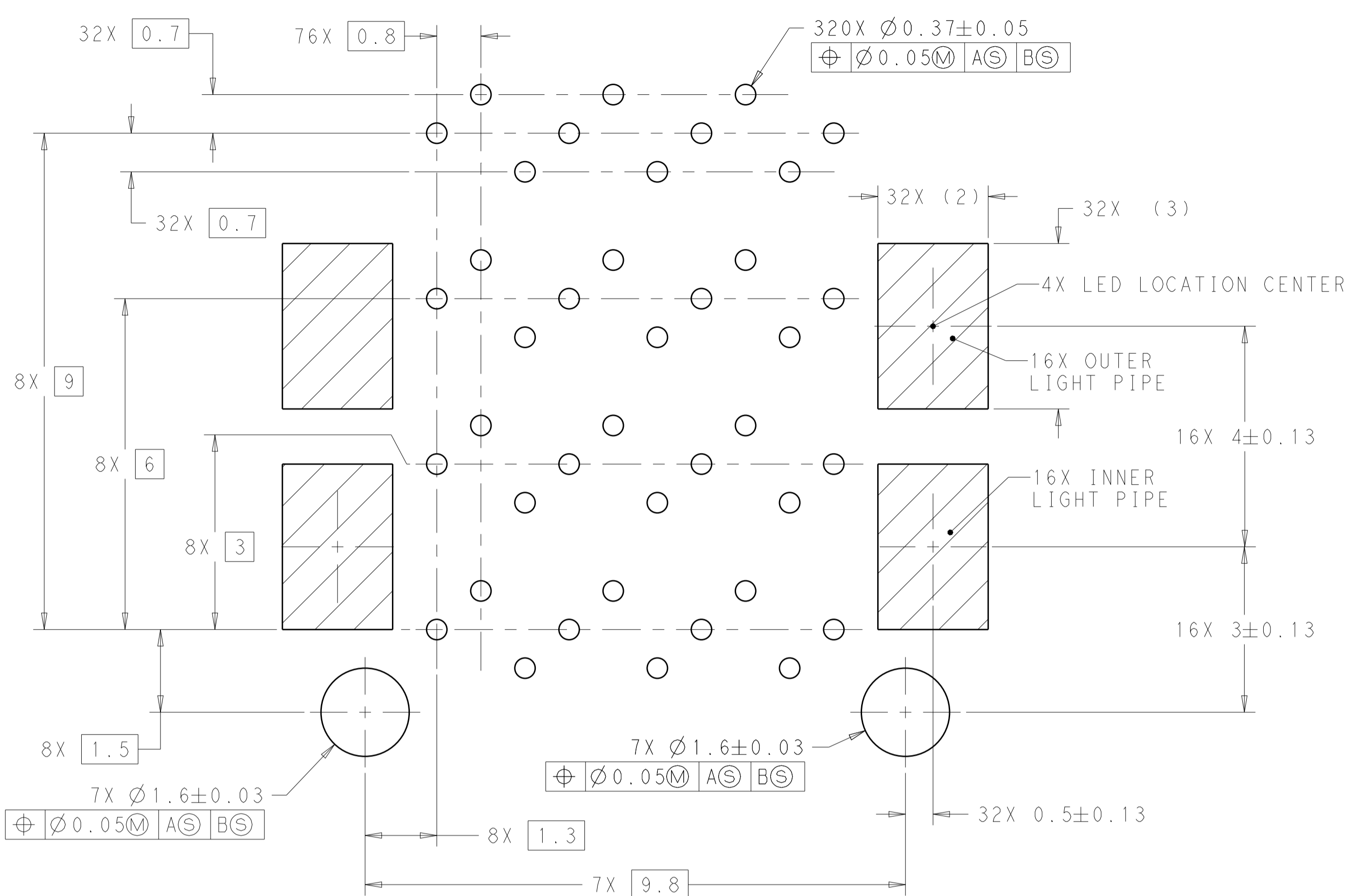


RECOMMENDED PCB LAYOUT
SCALE 5:1

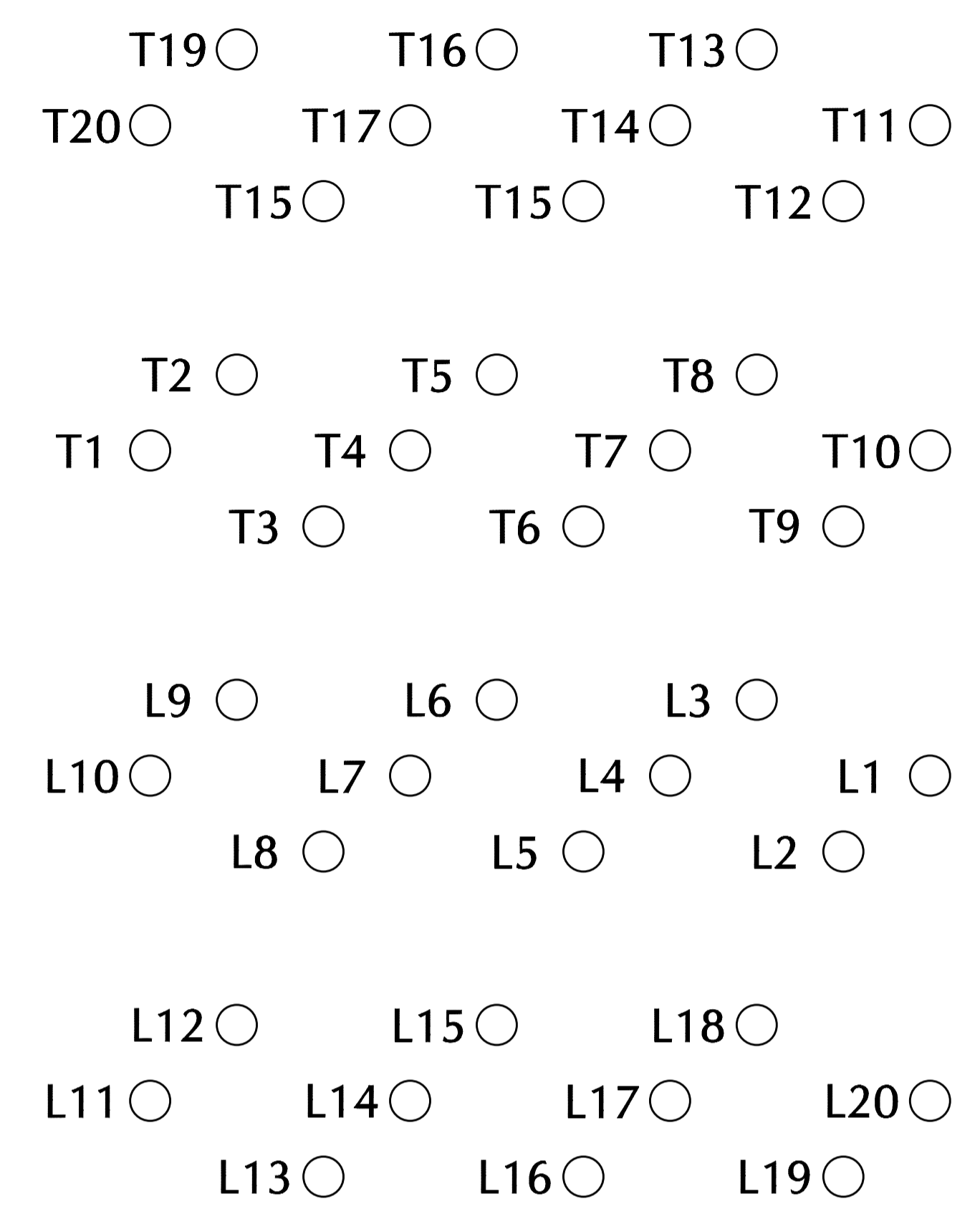
THIS DRAWING IS A CONTROLLED DOCUMENT.		DMN: M.E. CONNER 09DEC2011	TE Connectivity
DIMENSIONS: mm		CHK: M.D. MORRISON 13DEC2011	
TOLERANCES UNLESS OTHERWISE SPECIFIED: 0 PLC ± 1 PLC ±0.20 2 PLC ±0.15 3 PLC ±0.10 4 PLC ± ANGLES ±		APVD: M.D. MORRISON 13DEC2011 PRODUCT SPEC: 108-2481 APPLICATION SPEC: 114-13319 WEIGHT:	NAME: RECEPTACLE ASSEMBLY, 2X8, STACKED, zSFP+ SIZE: CAGE CODE DRAWING NO: A100779 CUSTOMER DRAWING: Customer Drawing
MATERIAL: SEE NOTES		FINISH: SEE NOTES	RESTRICTED TO: - SCALE: 3:1 SHEET 5 OF 6 REV: B3

LOC	DIST	REV	DATE	BY	APP'D
		1			

REVISIONS			
NO.	DESCRIPTION	DATE	BY
1	SEE SHEET 1		

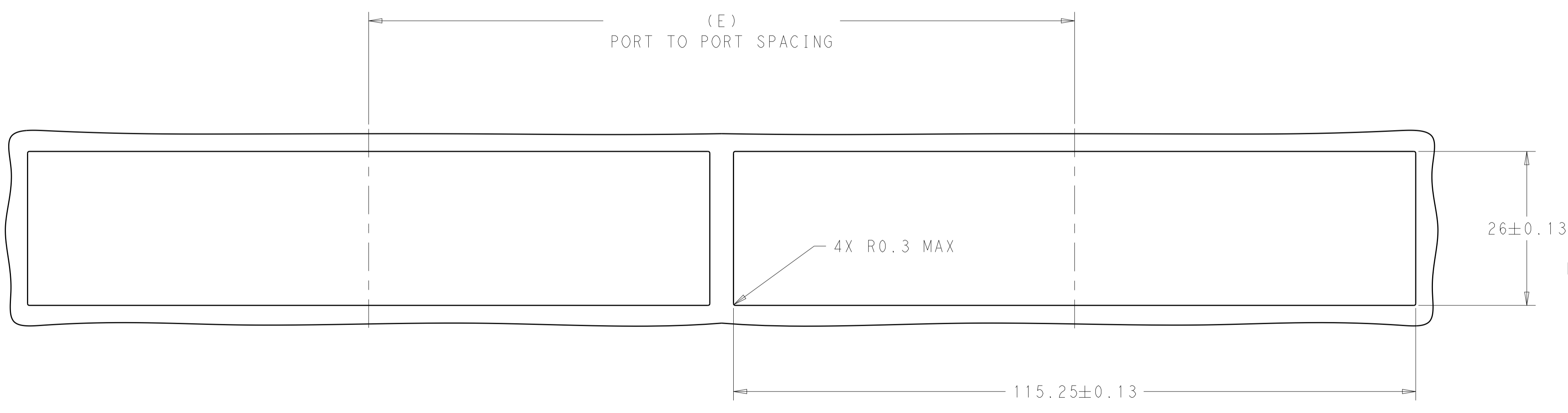


DETAIL C
 RECOMMENDED PIN AND LIGHT PIPE LAYOUT
 SCALE 15:1

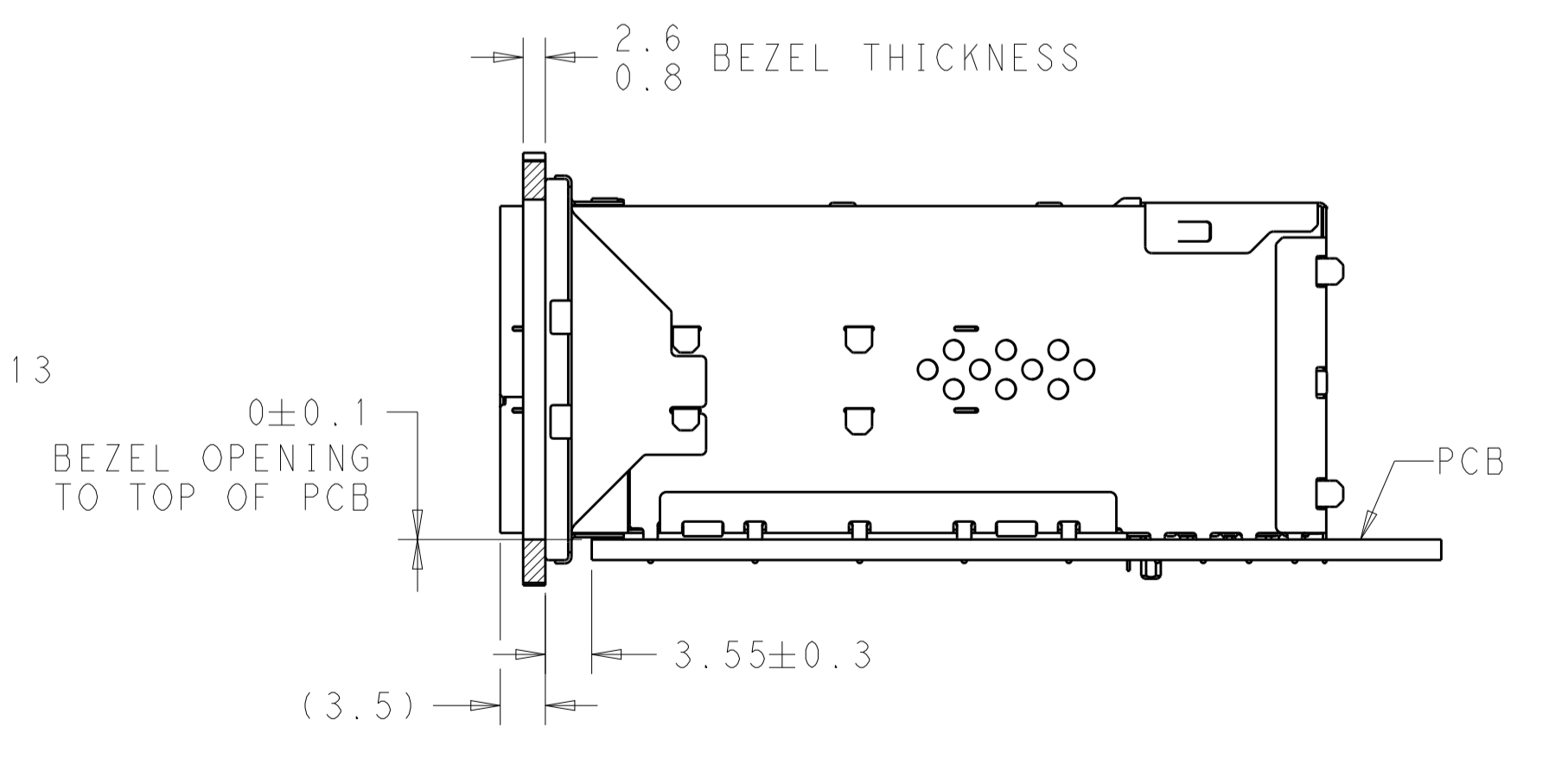


PIN MAP LEGEND	
PIN NUMBER	FUNCTION
L1/T1	VEET
L2/T2	TX-FAULT
L3/T3	TX-DISABLE
L4/T4	SDA
L5/T5	SCL
L6/T6	MOD_ABS
L7/T7	RS0
L8/T8	RX_LOS
L9/T9	RS1
L10/T10	VEER
L11/T11	VEER
L12/T12	RD-
L13/T13	RD+
L14/T14	VEER
L15/T15	VCCR
L16/T16	VCCT
L17/T17	VEET
L18/T18	TD+
L19/T19	TD-
L20/T20	VEET

DETAIL D
 PIN MAP
 8X PLACES
 SCALE 20:1



RECOMMENDED BEZEL CUT-OUT DETAIL
 SCALE 2:1



RECOMMENDED BEZEL LOCATION WITH EMI GASKET
 SCALE 2:1

THIS DRAWING IS A CONTROLLED DOCUMENT.		OWN: M.E. CONNER 09DEC2011	TE Connectivity
DIMENSIONS: mm		CHK: M.D. MORRISON 13DEC2011	
TOLERANCES UNLESS OTHERWISE SPECIFIED:		APVD: M.D. MORRISON 13DEC2011	NAME: RECEPTACLE ASSEMBLY, 2X8, STACKED, zSFP+
0 PLC ±0.20 2 PLC ±0.15 3 PLC ±0.10 4 PLC ±0.05 ANGLES ±°		PRODUCT SPEC: 108-2481	
MATERIAL: SEE NOTES		APPLICATION SPEC: 114-13319	SIZE: A1
FINISH: SEE NOTES		WEIGHT: -	CAGE CODE: -
Customer Drawing		SCALE: 3:1	DRAWING NO: 2198346
		SHEET: 6 OF 6	REV: B3