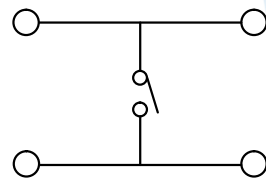
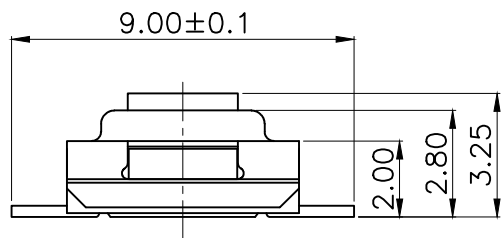
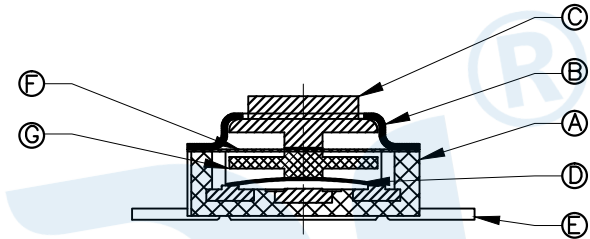
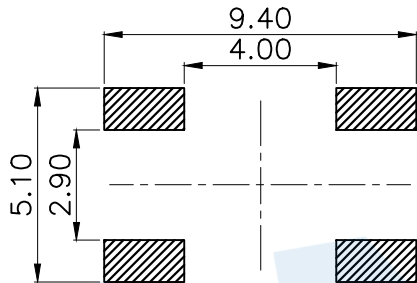
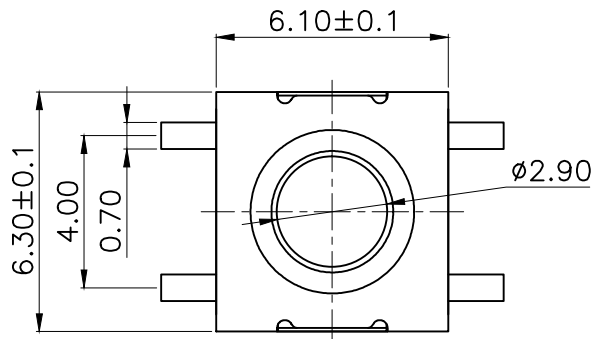


RoHS



Circuit Diagram

SHRAPNEL	
CODE	MATERIAL/QTY
D2	SUS/1PCS
D4	SUS/2PCS

OPERATING FORCE	
CODE	VIGOR
B2	180±30gf
B3	250±30gf

NO.	Name	Number	Qty	Materil	Remarkd
⑥	Plastic mat	1	1	LCP	Black
⑦	Dust film	1	1	Polyimide tape	
⑤	Terminal	4	4	Phosphorus copper	Silvering
④	Reed	1	1	SUS	Silver covered
③	Button	1	1	PPA	Dark red
②	Cover	1	1	SUS	Pickling
①	Base	1	1	PA6T	Black

**YUANDI®** Yuandi Electronics Co, Ltd

design	date	name	TACT SWITCHS
Review	date	name	TS-1081A-B□D□
Approved	date	name	

Drawing number: Proportion 1:1 unit mm gage number A4

modify Review Approved Tolerance not specified

angle ±2'  
10~30 ±0.30  
5~10 ±0.20  
~ 5 ±0.10