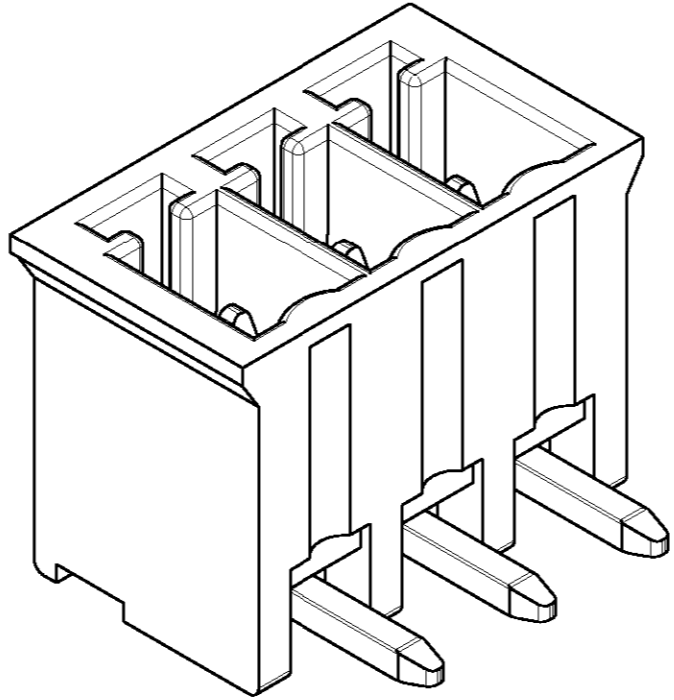
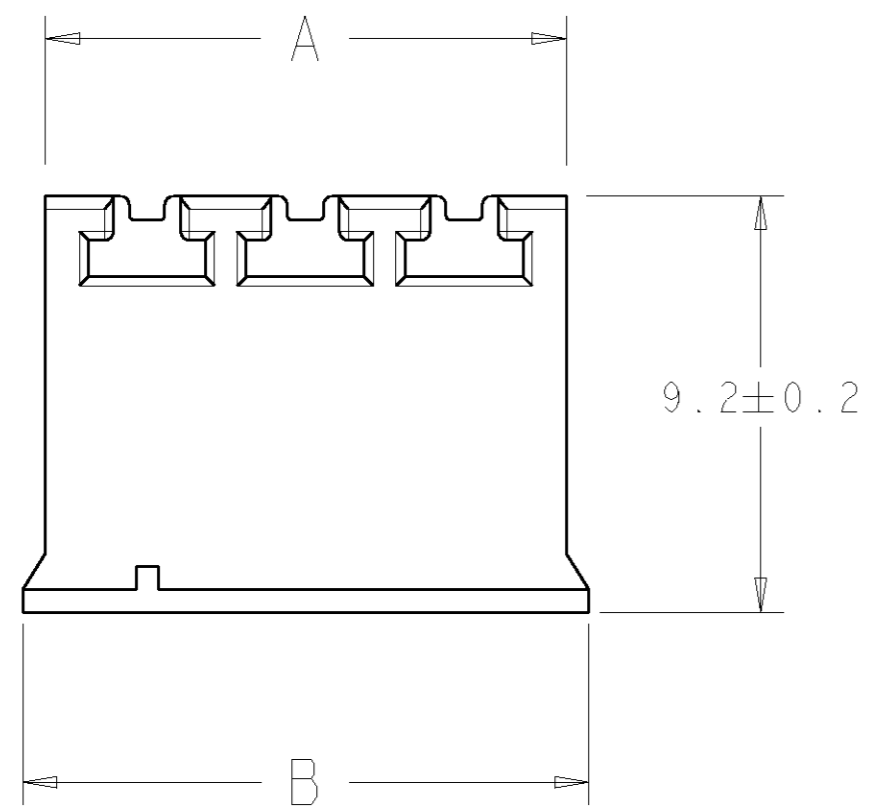


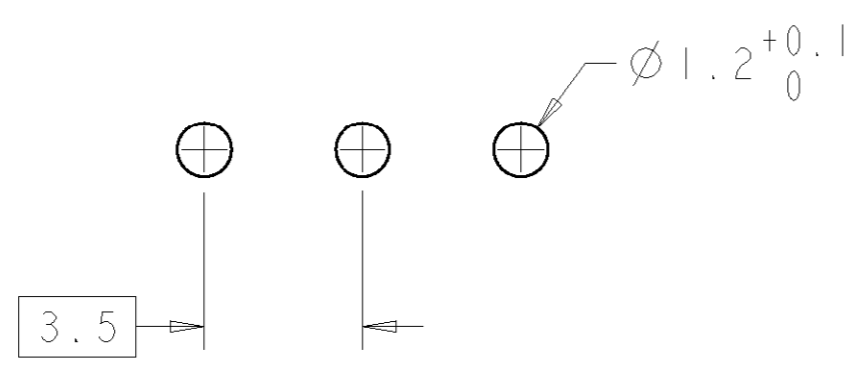
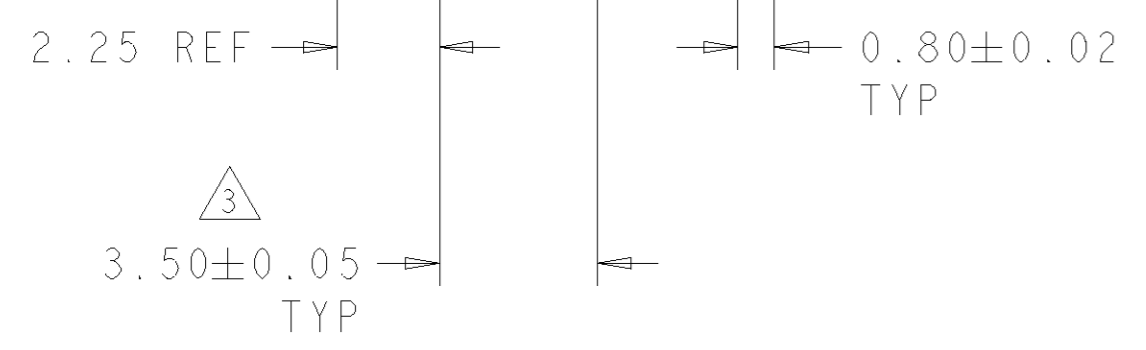
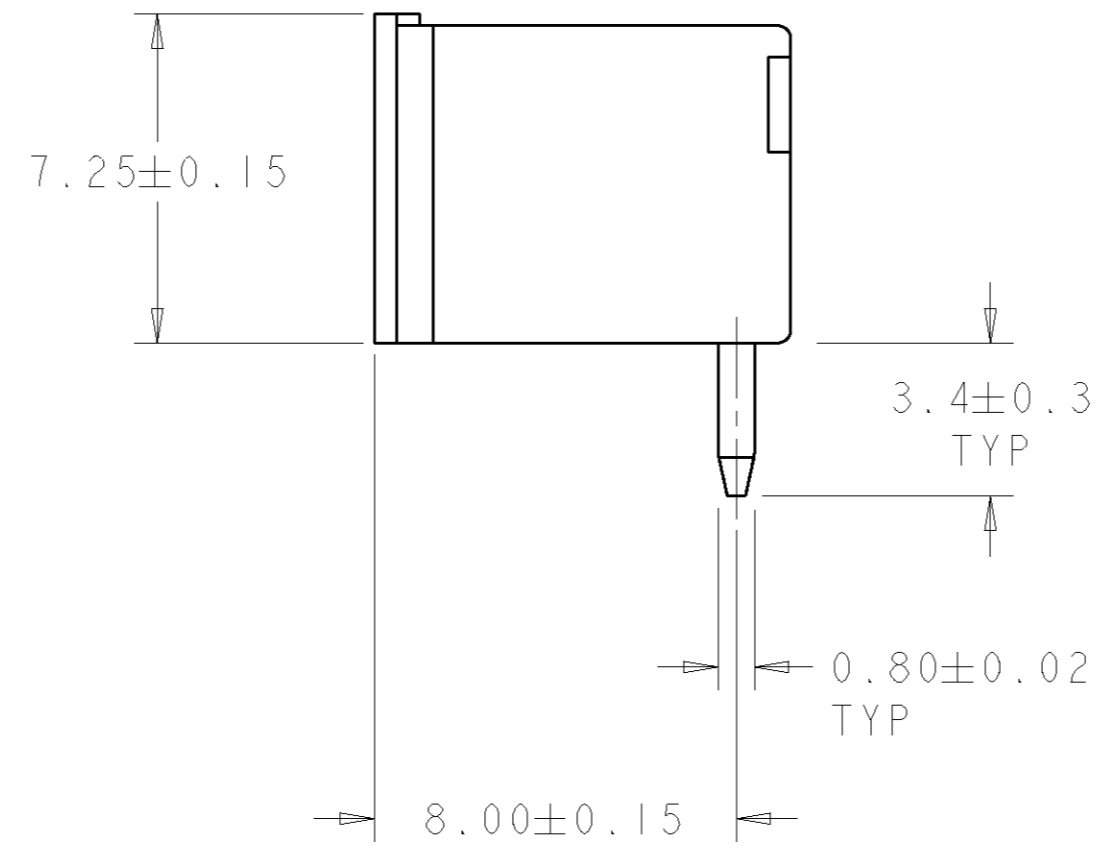
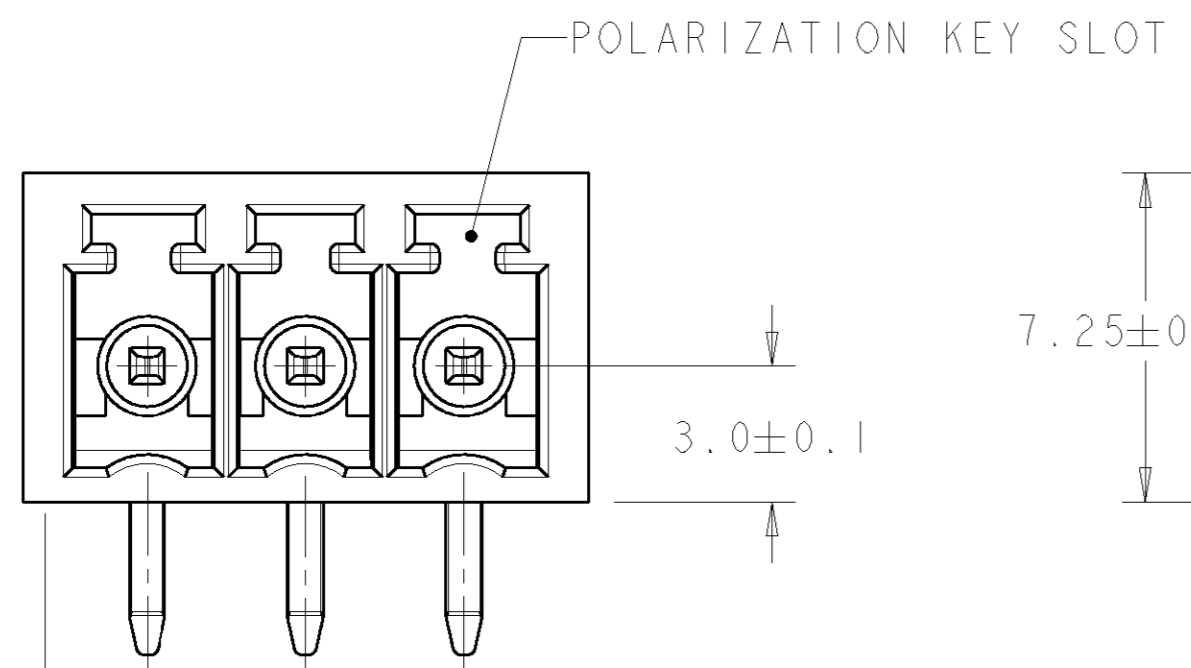
THIS DRAWING IS UNPUBLISHED. RELEASED FOR PUBLICATION 20  
 © COPYRIGHT 20 BY TYCO ELECTRONICS CORPORATION. ALL RIGHTS RESERVED.

| LOC | DIST | REVISIONS |     |                         |           |     |      |
|-----|------|-----------|-----|-------------------------|-----------|-----|------|
| FT  | 0    | P         | LTR | DESCRIPTION             | DATE      | DWN | APVD |
|     |      | A         |     | RELEASED                | 27NOV2000 | -   | -    |
|     |      | B         |     | REVISED EC 0G3B-0401-04 | 02JUN2004 | SW  | CR   |



796695-3 AS SHOWN

- 1. MATERIALS AND FINISH:  
 HOUSING : PA 6.6, UL 94-V0, COLOR: BLUE (RAL 5012)  
 TERMINAL : BRASS, TIN PLATED
- 2. RECOMMENDED PC BOARD THICKNESS 1.6-2.4 MM.
- 3. NOT CUMULATIVE TOLERANCE.



RECOMMENDED PC BOARD LAYOUT

|      |      |             |             |
|------|------|-------------|-------------|
| 89.5 | 88.5 | 25          | 2-796695-5  |
| 86.0 | 85.0 | 24          | 2-796695-4  |
| 82.5 | 81.5 | 23          | 2-796695-3  |
| 79.0 | 78.0 | 22          | 2-796695-2  |
| 75.5 | 74.5 | 21          | 2-796695-1  |
| 72.0 | 71.0 | 20          | 2-796695-0  |
| 68.5 | 67.5 | 19          | 1-796695-9  |
| 65.0 | 64.0 | 18          | 1-796695-8  |
| 61.5 | 60.5 | 17          | 1-796695-7  |
| 58.0 | 57.0 | 16          | 1-796695-6  |
| 54.5 | 53.5 | 15          | 1-796695-5  |
| 51.0 | 50.0 | 14          | 1-796695-4  |
| 47.5 | 46.5 | 13          | 1-796695-3  |
| 44.0 | 43.0 | 12          | 1-796695-2  |
| 40.5 | 39.5 | 11          | 1-796695-1  |
| 37.0 | 36.0 | 10          | 1-796695-0  |
| 33.5 | 32.5 | 9           | 796695-9    |
| 30.0 | 29.0 | 8           | 796695-8    |
| 26.5 | 25.5 | 7           | 796695-7    |
| 23.0 | 22.0 | 6           | 796695-6    |
| 19.5 | 18.5 | 5           | 796695-5    |
| 16.0 | 15.0 | 4           | 796695-4    |
| 12.5 | 11.5 | 3           | 796695-3    |
| 9.0  | 8.0  | 2           | 796695-2    |
| B    | A    | NO. OF POSN | PART NUMBER |

|  |   |  |   |
|--|---|--|---|
| THIS DRAWING IS A CONTROLLED DOCUMENT FOR TYCO ELECTRONICS CORPORATION<br>IT IS SUBJECT TO CHANGE AND THE CONTROLLING ENGINEERING ORGANIZATION<br>SHOULD BE CONTACTED FOR THE LATEST REVISION. |   | DWN S. WELDON 27NOV2000<br>CHK D. BIEVENOUR 27NOV2000<br>APVD D. BIEVENOUR 27NOV2000 | Tyco Electronics<br>Harrisburg, PA 17105-3608   |
| DIMENSIONS:<br>mm  | TOLERANCES UNLESS OTHERWISE SPECIFIED:<br>0 PLC ±<br>1 PLC ±0.3<br>2 PLC ±0.25<br>3 PLC ±0.000<br>4 PLC ±0.0000<br>ANGLES ±<br>FINISH | PRODUCT SPEC -<br>APPLICATION SPEC -<br>WEIGHT -                                     | NAME<br>TERMI BLOK, HEADER ASSEMBLY,<br>90 DEGREE, CLOSED ENDS,<br>3.5 mm PITCH                     |
| MATERIAL   | FINISH  | CUSTOMER DRAWING   | SIZE A2<br>CAGE CODE 00779<br>DRAWING NO. 796695<br>RESTRICTED TO -<br>SCALE 6:1 SHEET 1 OF 1 REV B |