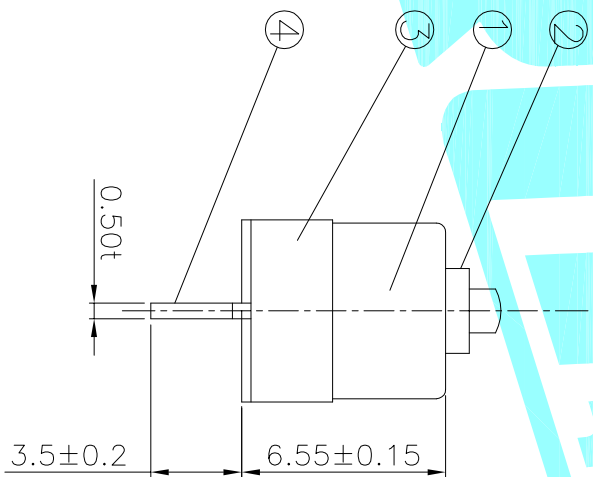
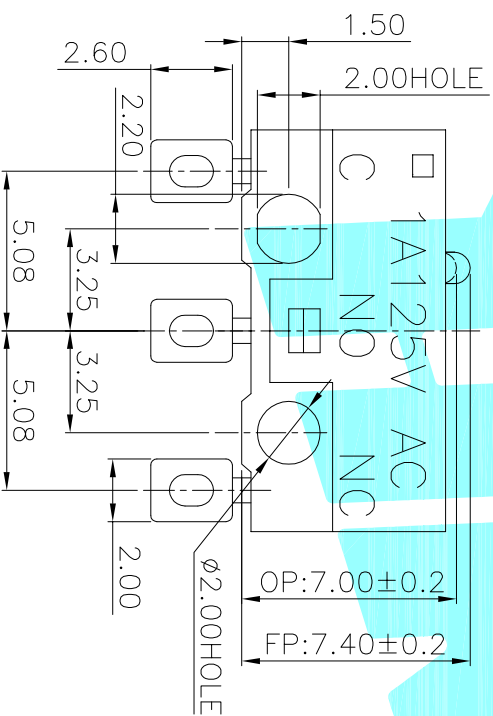


Circuit Diagram



- NOTE:
1. Rating: DC30V 0.1A
 2. OP: 7.00±0.2
 3. Operating force: 30±15gf
 4. Mechanical Life: 3,000,000

ITEM	PART NAME	TER'NO.	QTY.	MATERIAL	FINISHING	REMARK
⑥	Shrapnel Contact	—	1	Beryllium Copper Ag	—	—
⑤	Contact	—	1	—	—	—
④	Terminal	—	3	Brass(0.50t)	Plating silver	—
③	Housing	—	1	PBT	White	—
②	Knob	—	1	POM	White	—
①	Cover	—	1	PBT	Black	—

APPROVALS		DATE	TITLE	
DRAWN	J.X.Zhang	2013/6/4	ELECTRONICS CO.,LTD	
CHECKED			MICRO SWITCHS	

APPROVALS		PART NO.	SCALE:	PROJ.
APPROVALS		K9-1267QW	1:1	④

ECN NO.	REV.	DATE.	DESCRIPTION.	CHANGE.	CHECK.	APPRO.
	A		NEW			

TOLERANCES ARE	ANGLE	UNIT:	SCALE:	SHEET
30~R/L 10~S0 5~10 ~5	±0.30 ±0.20 ±0.15 ±2°	mm	1:1	1 OF 1