

**PLEASE CHECK WWW.MOLEX.COM FOR LATEST PART INFORMATION**

**Part Number:** [5017450501](#)  
**Status:** **Active**  
**Overview:** [slimstack\\_mm016\\_pitch](#)  
**Description:** 0.40mm (.016") Pitch SlimStack™ Board-to-Board Plug, Surface Mount, Dual Row, Vertical, Lead-free, 50 Circuits

**Documents:**

[Drawing \(PDF\)](#) [Product Specification PS-51338-003 \(PDF\)](#)  
[Product Specification PS-500913-002 \(PDF\)](#) [RoHS Certificate of Compliance \(PDF\)](#)

**General**

Product Family	PCB Headers
Series	<a href="#">501745</a>
Application	Board-to-Board
Comments	Solder Tab Plating: Tin
Overview	<a href="#">slimstack_mm016_pitch</a>
Product Name	SlimStack™

**Physical**

Breakaway	No
Circuits (Loaded)	50
Color - Resin	Black
Durability (mating cycles max)	30
Glow-Wire Compliant	No
Keying to Mating Part	None
Lock to Mating Part	Yes
Mated Height (in)	0.079 In, 0.091 In
Mated Height (mm)	2.00 mm, 2.30 mm
Material - Metal	Brass, Phosphor Bronze
Material - Plating Mating	Gold
Material - Plating Termination	Gold
Number of Rows	2
Orientation	Vertical
PCB Locator	No
PCB Retention	Yes
Packaging Type	Embossed Tape on Reel
Pitch - Mating Interface (in)	0.016 In
Pitch - Mating Interface (mm)	0.40 mm
Polarized to Mating Part	No
Polarized to PCB	No
Stackable	No
Temperature Range - Operating	-25°C to +85°C
Termination Interface: Style	Surface Mount

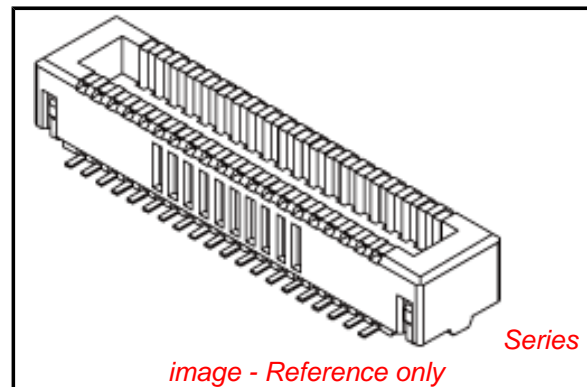
**Electrical**

Current - Maximum per Contact	0.3A
Voltage - Maximum	50V AC (RMS)/DC

**Material Info**

**Reference - Drawing Numbers**

Packaging Specification	SPK-501745-001
Product Specification	PS-500913-002, PS-51338-003, RPS-51338-029
Sales Drawing	SD-501745-001, SD-501745-002



**EU RoHS**

**ELV and RoHS Compliant**  
**REACH SVHC**  
 Not Reviewed  
**Halogen-Free Status**

**China RoHS**



**Not Reviewed**

**Need more information on product environmental compliance?**

Email [productcompliance@molex.com](mailto:productcompliance@molex.com)  
 For a multiple part number RoHS Certificate of Compliance, [click here](#)

Please visit the [Contact Us](#) section for any non-product compliance questions.

**Search Parts in this Series**

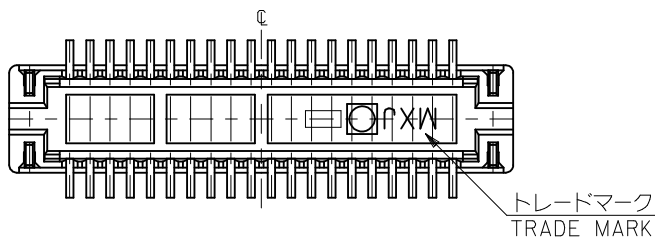
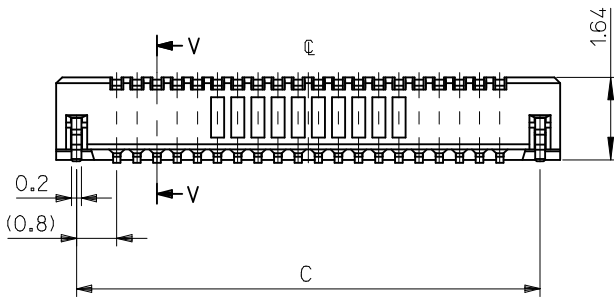
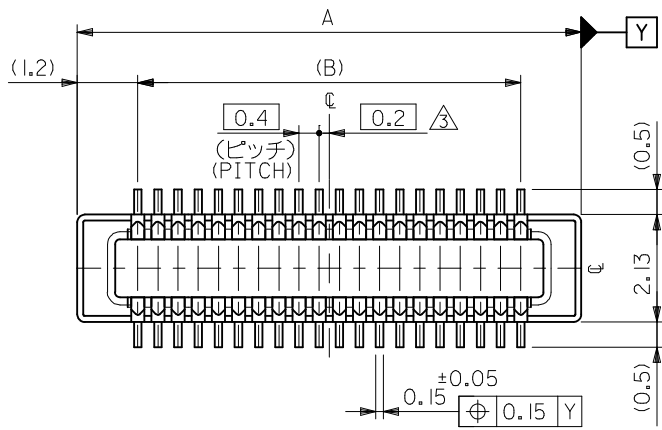
[501745Series](#)

**Mates With**

[51338 PCB Receptacle](#). [500913 PCB Receptacle](#)

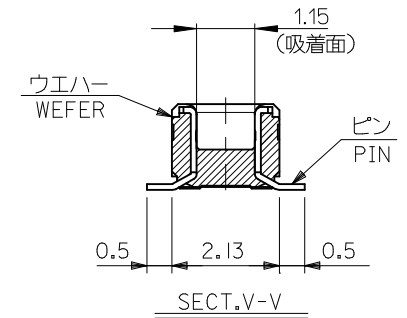
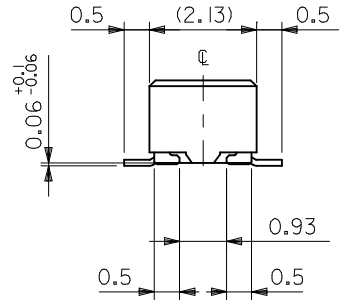
This document was generated on 06/07/2010

**PLEASE CHECK [WWW.MOLEX.COM](http://WWW.MOLEX.COM) FOR LATEST PART INFORMATION**



注記 NOTES:

1. 使用材料 MATERIAL  
 ウエハー: 液晶ポリマー (LCP) ガラス充填 UL94V-0 (黒)  
 WAFER: LIQUID CRYSTAL POLYMER (GLASS FILLED)  
 UL94V-0 (COLOR: BLACK)  
 ピン: 黄銅 (t=0.12)  
 PIN: BRASS (t=0.12)  
 金具: リン青銅 (t=0.2)  
 FITTING NAIL: PHOSPHOR BRONZE (t=0.2)
2. メッキ仕様 PLATING  
 ピン PIN  
 金メッキ 0.2 マイクロメートル以上 (コンタクト部)  
 GOLD 0.2MICROMETER MINIMUM (CONTACT AREA)  
 金メッキ 0.4 マイクロメートル以下 (テール部)  
 GOLD 0.4MICROMETER MAXIMUM (TAIL AREA)  
 下地メッキ: ニッケルメッキ 1.5 マイクロメートル以上  
 UNDER PLATING: NICKEL 1.5MICROMETER MINIMUM  
 金具 FITTING NAIL  
 錫メッキ 1.0 マイクロメートル以上  
 TIN PLATING 1.0MICROMETER MINIMUM  
 下地メッキ: ニッケルメッキ 1.0 マイクロメートル以上  
 UNDER PLATING: NICKEL 1.0MICROMETER MINIMUM



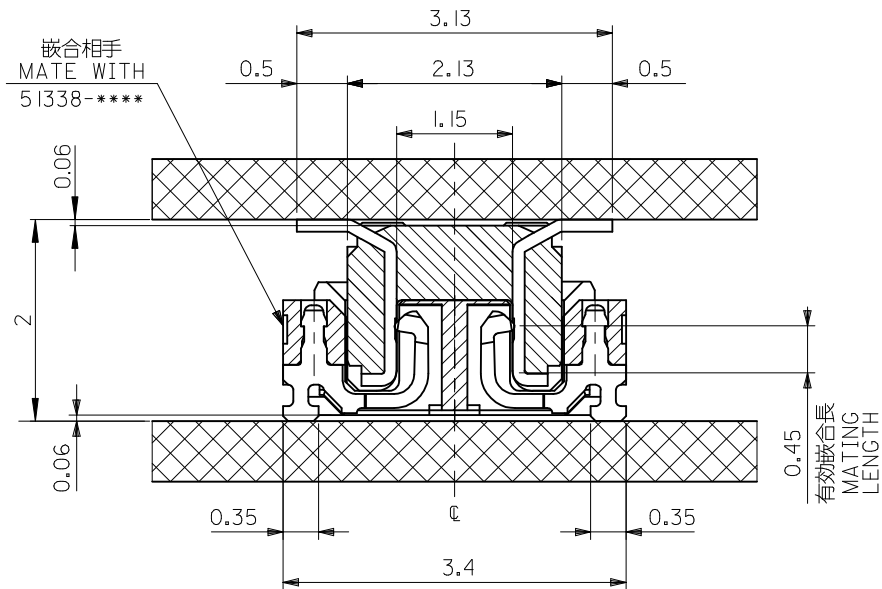
-	O	17.2	15.6	18.0	501745-0801	80
O	O	13.2	11.6	14.0	501745-0601	60
O	O	11.2	9.6	12.0	501745-0501	50
O	O	9.2	7.6	10.0	501745-0401	40
-	O	8.0	6.4	8.8	501745-0341	34
2.3	2.0	C		B	A	EMBOSSED PACKAGE
MATED HEIGHT				ORDER NO. オーダー番号		CKT.

CONNECTOR SERIES No. 501745-\*\*\*0

REVISED EC NO: J2010-0060 DRWN:MTAKASHI 03/2009/08/07 CHKD:THARUYAMA 2009/08/17 APPR:MSASAO 2009/08/17	GENERAL TOLERANCES (UNLESS SPECIFIED)		DIMENSION STYLE MM ONLY		SCALE ---	DESIGN UNITS METRIC	THIRD ANGLE PROJECTION
	10 UNDER	±0.2	DRAWN BY K. SAITO	DATE 2007/03/01	TITLE 0.4 B-TO-B CONN. PLUG ASSY (HGT=2/2.3) WITH NAIL		
	10 OVER 30 UNDER	±0.25	CHECKED BY K. KASAHARA	DATE 2007/03/01	MOLEX INCORPORATED		
	30 OVER	±0.3	APPROVED BY N. UKITA	DATE 2007/03/01	DOCUMENT NO. SD-501745-001		
	ANGULAR ±3 °	DRAFT WHERE APPLICABLE MUST REMAIN WITHIN DIMENSIONS		MATERIAL NO. SEE TABLE		SHEET NO. 1 OF 2	
		THIS DRAWING CONTAINS INFORMATION THAT IS PROPRIETARY TO MOLEX INCORPORATED AND SHOULD NOT BE USED WITHOUT WRITTEN PERMISSION					

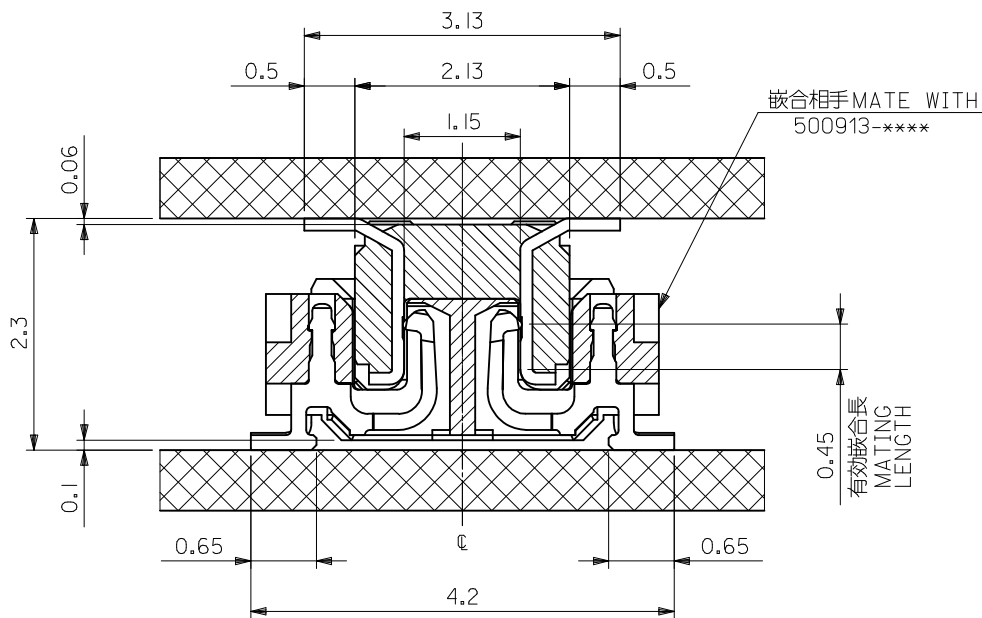
10 9 8 7 6 5 4 3 2 1

F



嵌合相手  
MATE WITH  
51338-\*\*\*\*

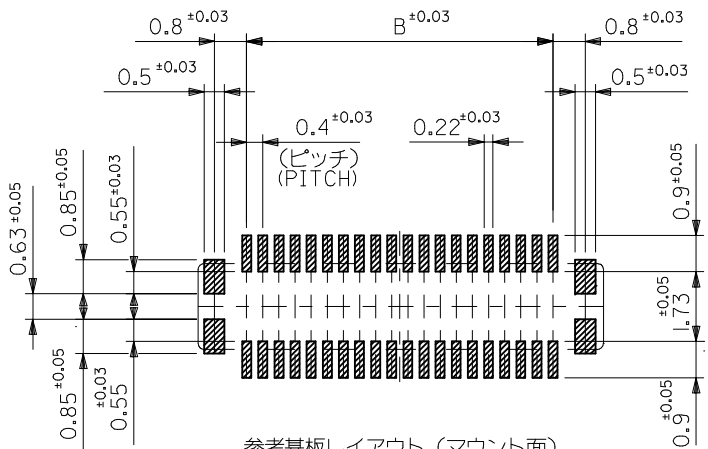
嵌合相手 MATE WITH  
500913-\*\*\*\*



嵌合断面図 (参考)  
MATED DRAWING (REFERENCE)

嵌合断面図 (参考)  
MATED DRAWING (REFERENCE)

B



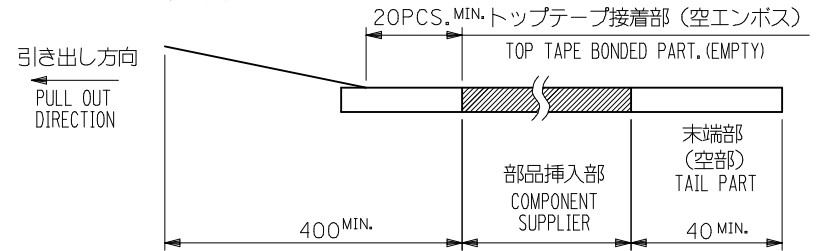
参考基板レイアウト (マウント面)  
P.C.BOARD PATTERN DIMENSION.  
(REFERENCE)  
(MOUNTING AREA)

A

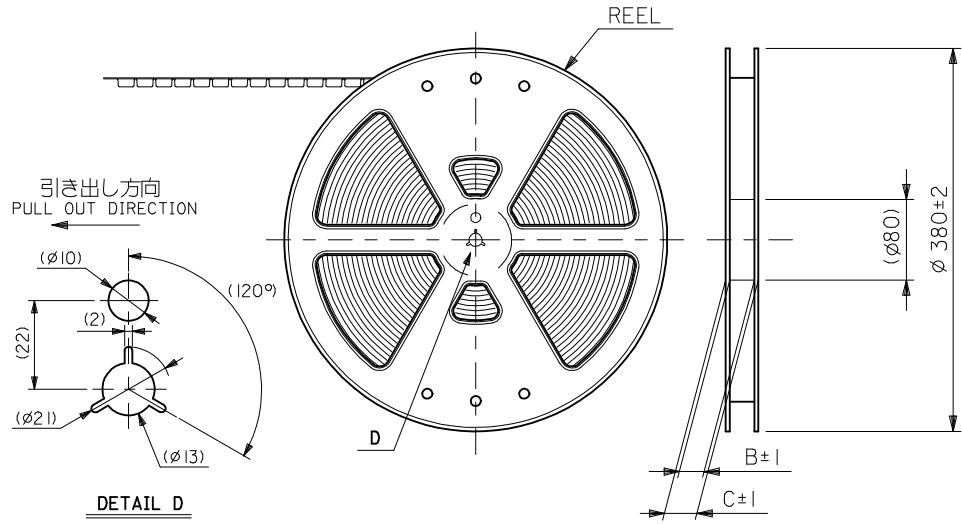
REVISED EC NO: J2010-0060 DRWN:MTAKAHASHI 03/2009/08/07 CHKD:THIRATA 2009/08/17 APPR:MSASAO 2009/08/17	GENERAL TOLERANCES (UNLESS SPECIFIED)		DIMENSION STYLE <b>MM ONLY</b>		CONNECTOR SERIES No. 501745-***0	
	10 UNDER ±0.2 10 OVER 30 UNDER ±0.25 30 OVER ±0.3		DRAWN BY DATE K. SAITO 2007/03/01		SCALE DESIGN UNITS --- METRIC	
	ANGULAR ±3 ° DRAFT WHERE APPLICABLE MUST REMAIN WITHIN DIMENSIONS		CHECKED BY DATE K. KASAHARA 2007/03/01		THIRD ANGLE PROJECTION	
			APPROVED BY DATE N. UKITA 2007/03/01		TITLE 0.4 B-TO-B CONN. PLUG ASSY (HGT=2/2.3) WITH NAIL	
		MATERIAL NO. SEE SHEET 1		MOLEX INCORPORATED		
		SIZE A3		DOCUMENT NO. SD-501745-001		
		THIS DRAWING CONTAINS INFORMATION THAT IS PROPRIETARY TO MOLEX INCORPORATED AND SHOULD NOT BE USED WITHOUT WRITTEN PERMISSION				SHEET NO. 2 OF 2

NOTES

- 製品詳細寸法については製品単体図面を参照下さい。  
RE DETAILED DIMENSION, SEE PRODUCT DRAWING.
- 梱包数量：2500個/リール  
NUMBER OF CONNECTORS : 2500PCS/REEL
- リードテープ長さ LEAD TAPE LENGTH



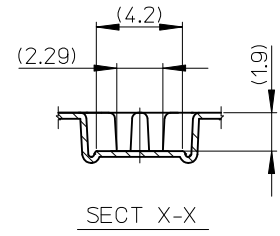
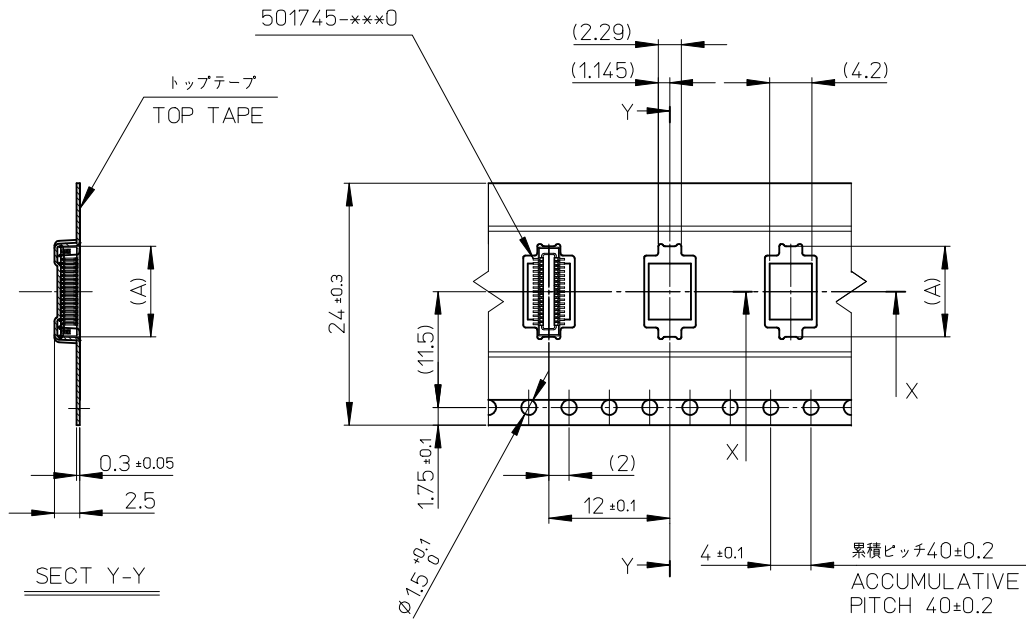
- 材料 MATERIAL  
キャリアテープ (CARRIER TAPE) : ポリプロピレン (POLYPROPYLENE)  
トップテープ (TOPTAPE) : PET , PE , PEF  
リール (REEL) : ポリスチレン (PS) <リサイクル材を含む>  
POLYSTYRENE (PS) <RECYCLE MATERIAL CONTAINED>
- ELV 及び RoHS 適合品  
ELV AND RoHS COMPLIANT.



CONNECTOR SERIES No. 501745-\*\*\*1

REVISED EC NO: J2010-0060 DRWN:MTAKAHASHI 03/2009/08/07 CHKD:THIRATA 2009/08/17 APPR:MSASAO 2009/08/17	GENERAL TOLERANCES (UNLESS SPECIFIED)		DIMENSION STYLE MM ONLY		SCALE ---	DESIGN UNITS METRIC	THIRD ANGLE PROJECTION
	10 UNDER	±0.2	DRAWN BY K. SAITO	DATE 2007/03/01	TITLE 0.4 B-TO-B CONN. PLUG ASSY (HGT=2/2.3) EMBSTP PKG		
	10 OVER 30 UNDER	±0.25	CHECKED BY K. KASAHARA	DATE 2007/03/01	MOLEX INCORPORATED		
	30 OVER	±0.3	APPROVED BY N. UKITA	DATE 2007/03/01	MATERIAL NO. SEE TABLE	DOCUMENT NO. SD-501745-002	SHEET NO. 1 OF 3
	ANGULAR ±3 °	DRAFT WHERE APPLICABLE MUST REMAIN WITHIN DIMENSIONS		THIS DRAWING CONTAINS INFORMATION THAT IS PROPRIETARY TO MOLEX INCORPORATED AND SHOULD NOT BE USED WITHOUT WRITTEN PERMISSION			

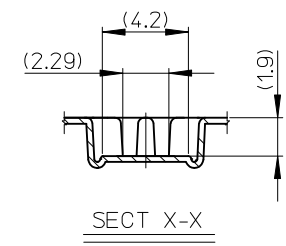
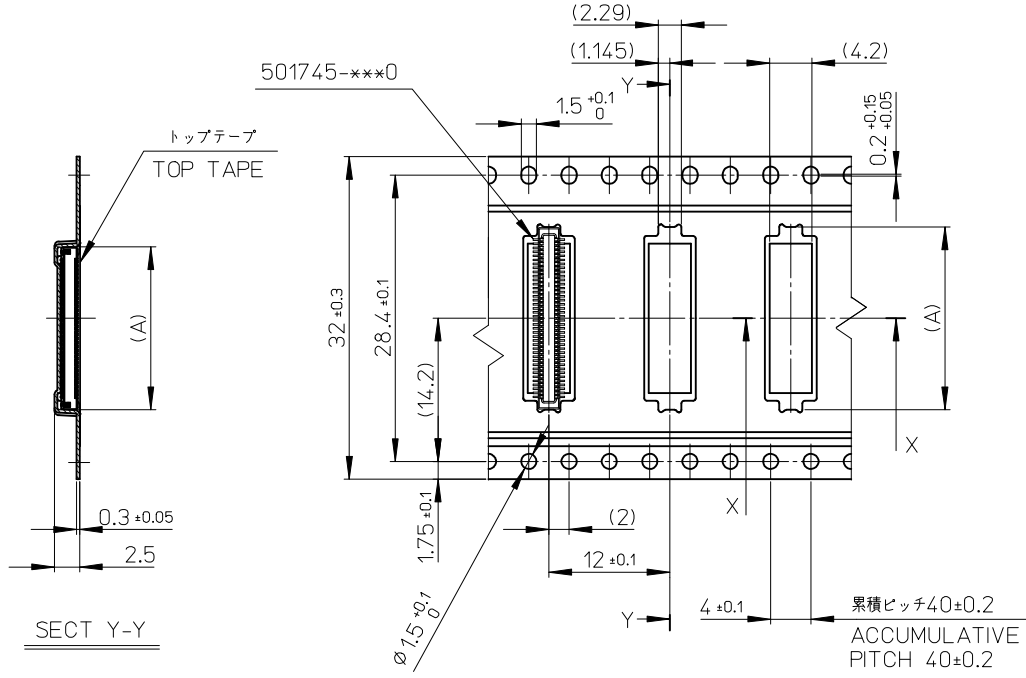
引き出し方向  
PULL OUT  
DIRECTION



24	29.4	25.4	14.16	501745-0601	60
			12.16	501745-0501	50
			10.16	501745-0401	40
			8.96	501745-0341	34
キャリアテープ幅 CARRIER TAPE WIDTH	C	B	(A)	EMBOSSED PACKAGE ORDER NO.	極数 CKT.

REVISED EC NO: J2010-0060 DRWN:MTAKAHASHI 03/2009/08/07 CHKD:THIRATA 2009/08/17 APPR:MSASAO 2009/08/17	DESCRIPTION	GENERAL TOLERANCES (UNLESS SPECIFIED)	DIMENSION STYLE MM ONLY	SCALE ---	DESIGN UNITS METRIC	CONNECTOR SERIES No.   501745-***1
	REV	10 UNDER ± 0.2 10 OVER 30 UNDER ± 0.25 30 OVER ± 0.3 ANGULAR ± 3 ° DRAFT WHERE APPLICABLE MUST REMAIN WITHIN DIMENSIONS	DRAWN BY DATE K. SAITO 2007/03/01 CHECKED BY DATE K. KASAHARA 2007/03/01 APPROVED BY DATE N. UKITA 2007/03/01 MATERIAL NO.	TITLE	THIRD ANGLE PROJECTION 0.4 B-TO-B CONN. PLUG ASSY (HGT=2/2.3) EMBSTP PKG MOLEX INCORPORATED DOCUMENT NO. SD-501745-002	SHEET NO. 2 OF 3
	C	SEE TABLE	THIS DRAWING CONTAINS INFORMATION THAT IS PROPRIETARY TO MOLEX INCORPORATED AND SHOULD NOT BE USED WITHOUT WRITTEN PERMISSION			
				SIZE A3		

引き出し方向  
PULL OUT  
DIRECTION



SECT Y-Y

32	37.4	33.4	18.16	501745-0801	80
キャリアテープ幅 CARRIER TAPE WIDTH	C	B	(A)	EMBOSSED PACKAGE ORDER NO.	極数 CKT.

CONNECTOR SERIES No. | 501745-\*\*\*1

REVISED EC NO: J2010-0060 DRWN:MTAKAHASHI 03/2009/08/07 CHKD:THIRATA 2009/08/17 APPR:MSASAO 2009/08/17	GENERAL TOLERANCES (UNLESS SPECIFIED)		DIMENSION STYLE MM ONLY		SCALE ---	DESIGN UNITS METRIC	THIRD ANGLE PROJECTION
	10 UNDER	± 0.2	DRAWN BY K. SAITO	DATE 2007/03/01	TITLE 0.4 B-TO-B CONN. PLUG ASSY (HGT=2/2.3) EMBSTP PKG		
	10 OVER 30 UNDER	± 0.25	CHECKED BY K. KASAHARA	DATE 2007/03/01	MOLEX INCORPORATED		
	30 OVER	± 0.3	APPROVED BY N. UKITA	DATE 2007/03/01	MATERIAL NO. SEE TABLE	DOCUMENT NO. SD-501745-002	SHEET NO. 3 OF 3
	ANGULAR ± 3 °	THIS DRAWING CONTAINS INFORMATION THAT IS PROPRIETARY TO MOLEX INCORPORATED AND SHOULD NOT BE USED WITHOUT WRITTEN PERMISSION					
	DRAFT WHERE APPLICABLE MUST REMAIN WITHIN DIMENSIONS						