



M.S.KENNEDY CORP.

**RAD HARD,  
HIGH SPEED,  
BUFFER AMPLIFIER**

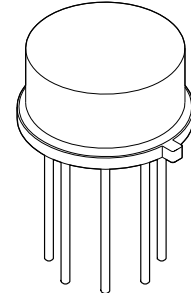
**0002RH**

4707 Dey Road Liverpool, N.Y. 13088

(315) 701-6751

**FEATURES:**

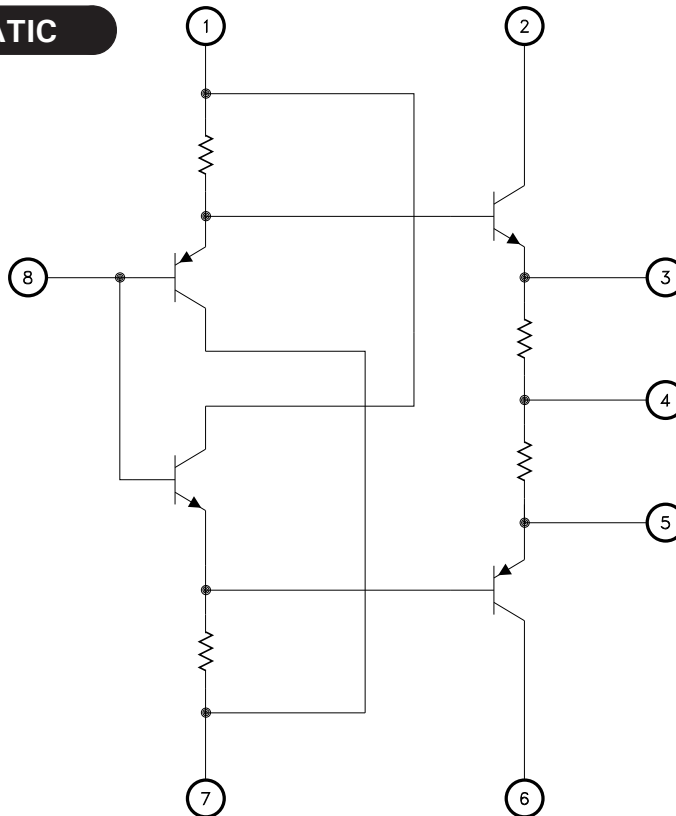
- Radiation Hardened to 100 Krads(Si) (Method 1019.7 Condition A)
- Radiation Hardened LH0002 Replacement
- High Input Impedance-180KΩ Min
- Low Output Impedance-10Ω Max
- Low Harmonic Distortion
- DC to 30 MHz Bandwidth
- Slew Rate is Typically 400 V/μS
- Operating Range from ±5V to ±20V
- Available to DSCC SMD 5962-78013
- Equivalent Non Rad Hard Device MSK 0002



**DESCRIPTION:**

The MSK 0002RH is a general purpose current amplifier. It is the industry wide RAD tolerant replacement for the LH0002. The device is ideal for use with an operational amplifier in a closed loop configuration to increase current output. The MSK 0002RH is designed with a symmetrical output stage that provides low output impedances to both the positive and negative portions of output pulses. The MSK 0002RH is packaged in a hermetic 8 lead low profile TO-5 header and is specified over the full military temperature range.

**EQUIVALENT SCHEMATIC**



**TYPICAL APPLICATIONS**

- High Speed D/A Conversion
- 30MHz Buffer
- Line Driver
- Precision Current Source

**PIN-OUT INFORMATION**

1	V1 +	5	E4
2	V2 +	6	V2-
3	E3	7	V1-
4	Output	8	Input

CASE = ISOLATED

## ABSOLUTE MAXIMUM RATINGS <sup>⑦</sup>

$\pm V_{CC}$ Supply Voltage . . . . .	$\pm 20V$	$T_{ST}$ Storage Temperature Range. . . . .	$-65^{\circ}C$ to $+150^{\circ}C$
$V_{IN}$ Input Voltage . . . . .	$\pm 20V$	$T_{LD}$ Lead Temperature Range . . . . .	$+300^{\circ}C$ (10 Seconds)
$P_d$ Power Dissipation . . . . .	600mW	$T_J$ Junction Temperature . . . . .	$+175^{\circ}C$
$T_C$ Case Operating Temperature (MSK 0002K/H RH). . . . .	$-55^{\circ}C$ to $+125^{\circ}C$	$\theta_{JC}$ Thermal Resistance @ $T_C = 125^{\circ}C$ Output Devices . . . . .	$55^{\circ}C/W$
(MSK 0002RH). . . . .	$-40^{\circ}C$ to $+85^{\circ}C$		

## ELECTRICAL SPECIFICATIONS

Parameter <sup>⑥</sup>	Test Conditions <sup>①</sup> <sup>⑧</sup>	Group A Subgroup	MSK 0002K/H RH <sup>④</sup>			MSK 0002RH			Units
			Min.	Typ.	Max.	Min.	Typ.	Max.	
Quiescent Current	$V_{IN} = 0V$ $R_S = 10K\Omega$ $R_L = 1.0K\Omega$	1	-	$\pm 6.3$	$\pm 10$	-	$\pm 6.3$	$\pm 12$	mA
Input Current	$R_S = 10K\Omega$ $R_L = 1.0K\Omega$	1	-	$\pm 5$	$\pm 15$	-	$\pm 5$	$\pm 20$	$\mu A$
		2,3	-	$\pm 10$	$\pm 20$	-	-	-	$\mu A$
	Post Radiation	1	-	-	$\pm 30$	-	-	$\pm 30$	$\mu A$
Output Offset Voltage	$R_S = 300\Omega$ $R_L = 1.0K\Omega$	1	-	$\pm 6$	$\pm 30$	-	$\pm 6$	$\pm 35$	mV
		2,3	-	$\pm 10$	$\pm 30$	-	-	-	mV
Input Impedance <sup>③</sup>	$V_{IN} = 1.0V_{RMS}$ $R_S = 200K\Omega$ $R_L = 1K\Omega$ $f = 1.0KHz$	4	180	-	-	180	-	-	$K\Omega$
Output Impedance <sup>③</sup>	$V_{IN} = 1.0V_{RMS}$ $R_S = 10K\Omega$ $R_L = 50\Omega$ $f = 1.0KHz$	4	-	-	10	-	-	10	$\Omega$
Output Voltage Swing	$R_L = 1.0K\Omega$ $f = 1.0KHz$	4	$\pm 10$	$\pm 11$	-	$\pm 10$	$\pm 11$	-	Vp
	$R_L = 100\Omega$ $f = 1.0KHz$	4	$\pm 9.5$	-	-	$\pm 9.5$	-	-	Vp
	Post Radiation	4	$\pm 8.4$	-	-	$\pm 8.4$	-	-	Vp
Voltage Gain <sup>②</sup>	$V_{IN} = 3.0V_{pp}$ $f = 1.0KHz$ $R_S = 10K\Omega$ $R_L = 1.0K\Omega$	4	0.95	0.97	-	0.95	0.97	-	V/V
		5,6	0.92	-	-	0.92	-	-	V/V
	Post Radiation	4	0.90	-	-	0.90	-	-	V/V
Rise Time	$V_{OUT} = 2.5V_{pp}$ $f = 10KHz$ $R_S = 100\Omega$ $R_L = 50\Omega$	4	-	6	12	-	6	15	nS

### NOTES:

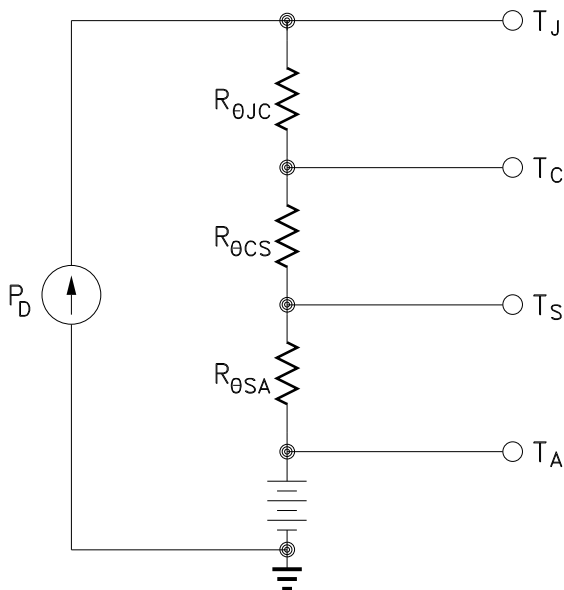
- ① Unless otherwise specified  $\pm V_{CC} = \pm 12V_{DC}$ ,  $R_L = 1K\Omega$ .
- ② Subgroups 5 & 6 shall be tested as part of device initial characterization and after design and process changes. Parameter shall be guaranteed to the limits specified for subgroups 5 & 6 for all lots not specifically tested.
- ③ Devices shall be capable of meeting the parameter, but need not be tested.
- ④ Subgroup 1,4  $T_A = T_C = +25^{\circ}C$   
Subgroup 2,5  $T_A = T_C = +125^{\circ}C$   
Subgroup 3,6  $T_A = T_C = -55^{\circ}C$
- ⑤ Refer to SMD 5962-78013 for electrical parameters for devices purchased as such.
- ⑥ Continuous operation at or above absolute maximum ratings may adversely effect the device performance and/or life cycle.
- ⑦ Pre and post irradiation limits at  $25^{\circ}C$ , up to  $100Krad$  TID, are identical unless otherwise specified.

## APPLICATION NOTES

### HEAT SINKING

To determine if a heat sink is necessary for your application and if so, what type, refer to the thermal model and governing equation below.

#### Thermal Model:



#### Governing Equation:

$$T_J = P_D \times (R_{\theta JC} + R_{\theta CS} + R_{\theta SA}) + T_A$$

Where

$T_J$  = Junction Temperature

$P_D$  = Total Power Dissipation

$R_{\theta JC}$  = Junction to Case Thermal Resistance

$R_{\theta CS}$  = Heat Sink to Ambient Thermal Resistance

$T_C$  = Case Temperature

$T_A$  = Ambient Temperature

$T_S$  = Sink Temperature

#### Example:

This example demonstrates a worst case analysis for the buffer output stage. This occurs when the output voltage is 1/2 the power supply voltage. Under this condition, maximum power transfer occurs and the output is under maximum stress.

Conditions:

$$V_{CC} = \pm 12\text{VDC}$$

$$V_o = \pm 6\text{Vp Sine Wave, Freq.} = 1\text{KHz}$$

$$R_L = 100\Omega$$

For a worst case analysis we will treat the  $\pm 6\text{Vp}$  sine wave as an 6 VDC output voltage.

1.) Find Driver Power Dissipation

$$\begin{aligned} PD &= (V_{CC} - V_o) (V_o / R_L) \\ &= (12\text{V} - 6\text{V}) (6\text{V} / 100\Omega) \\ &= 360\text{mW} \end{aligned}$$

2.) For conservative design, set  $T_J = +125^\circ\text{C}$  Max.

3.) For this example, worst case  $T_A = +80^\circ\text{C}$

4.)  $R_{\theta JC} = 55^\circ\text{C/W}$  from MSK 0002RH Data Sheet

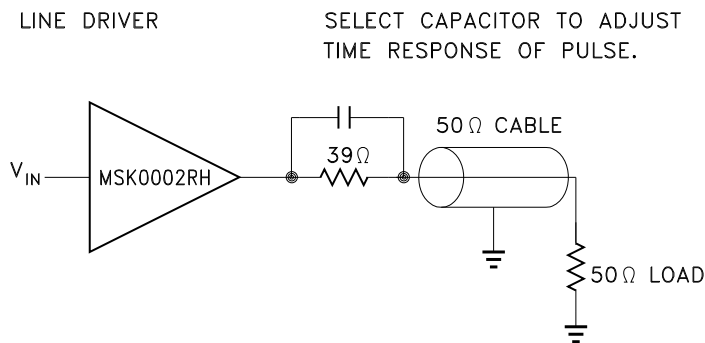
5.)  $R_{\theta CS} = 0.15^\circ\text{C/W}$  for most thermal greases

6.) Rearrange governing equation to solve for  $R_{\theta SA}$

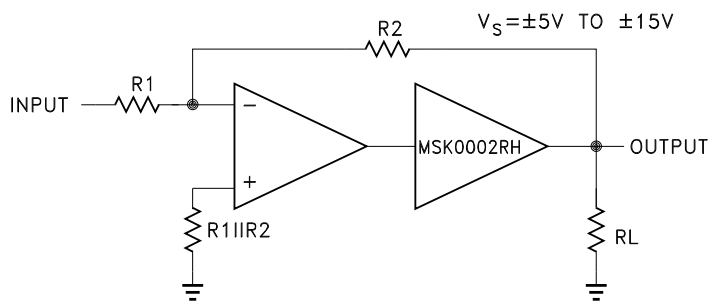
$$\begin{aligned} R_{\theta SA} &= ((T_J - T_A) / P_D) - (R_{\theta JC}) - (R_{\theta CS}) \\ &= ((125^\circ\text{C} - 80^\circ\text{C}) / 0.36\text{W}) - 55^\circ\text{C/W} - 0.15^\circ\text{C/W} \\ &= 125 - 55.15 \\ &= 69.9^\circ\text{C/W} \end{aligned}$$

This heat sink in this example must have a thermal resistance of no more than  $69.9^\circ\text{C/W}$  to maintain a junction temperature of no more than  $+125^\circ\text{C}$ .

#### Typical Applications:



#### HIGH CURRENT OPERATIONAL AMPLIFIER



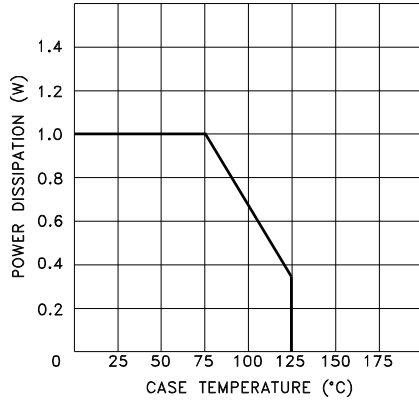
### TOTAL DOSE RADIATION TEST PERFORMANCE

Radiation performance curves for TID testing have been generated for all radiation testing performed by MS Kennedy. These curves show performance trends throughout the TID test process and can be located in the MSK 0002RH radiation test report. The complete radiation test report is available in the RAD HARD PRODUCTS section on the MSK website.

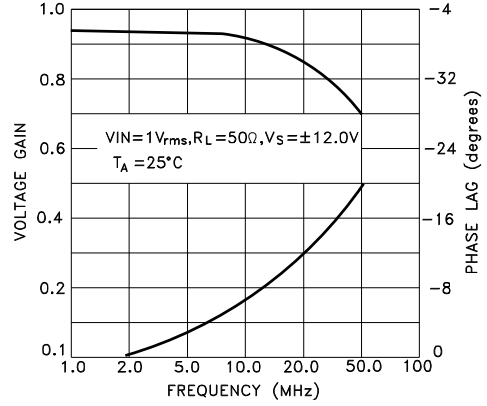
<http://www.mskennedy.com/store.asp?pid=9951&catid=19680>

# TYPICAL PERFORMANCE CURVES

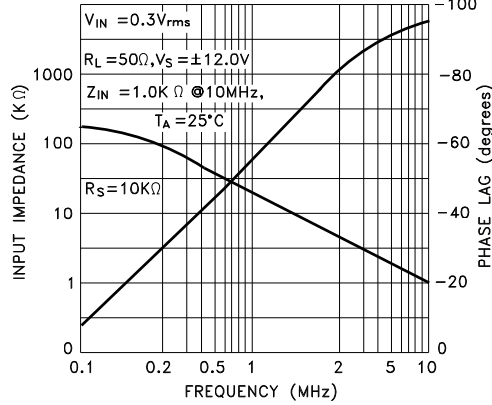
MAXIMUM POWER DISSIPATION



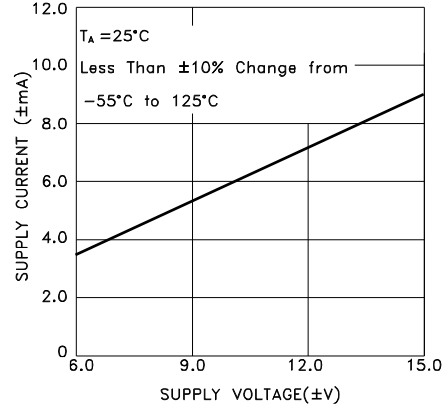
FREQUENCY RESPONSE



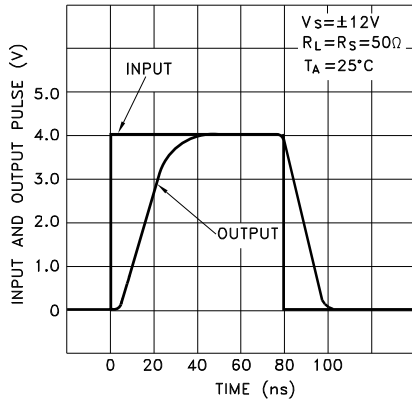
INPUT IMPEDANCE (Magnitude&Phase)



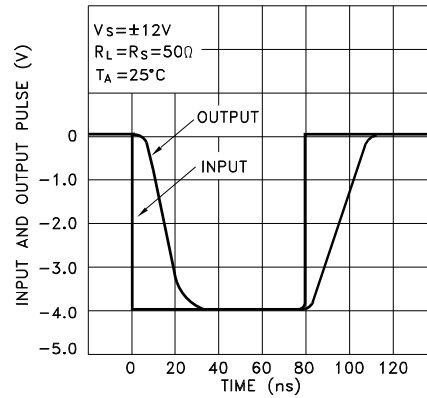
SUPPLY CURRENT



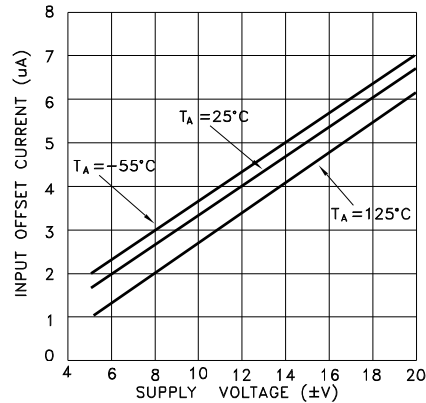
POSITIVE PULSE



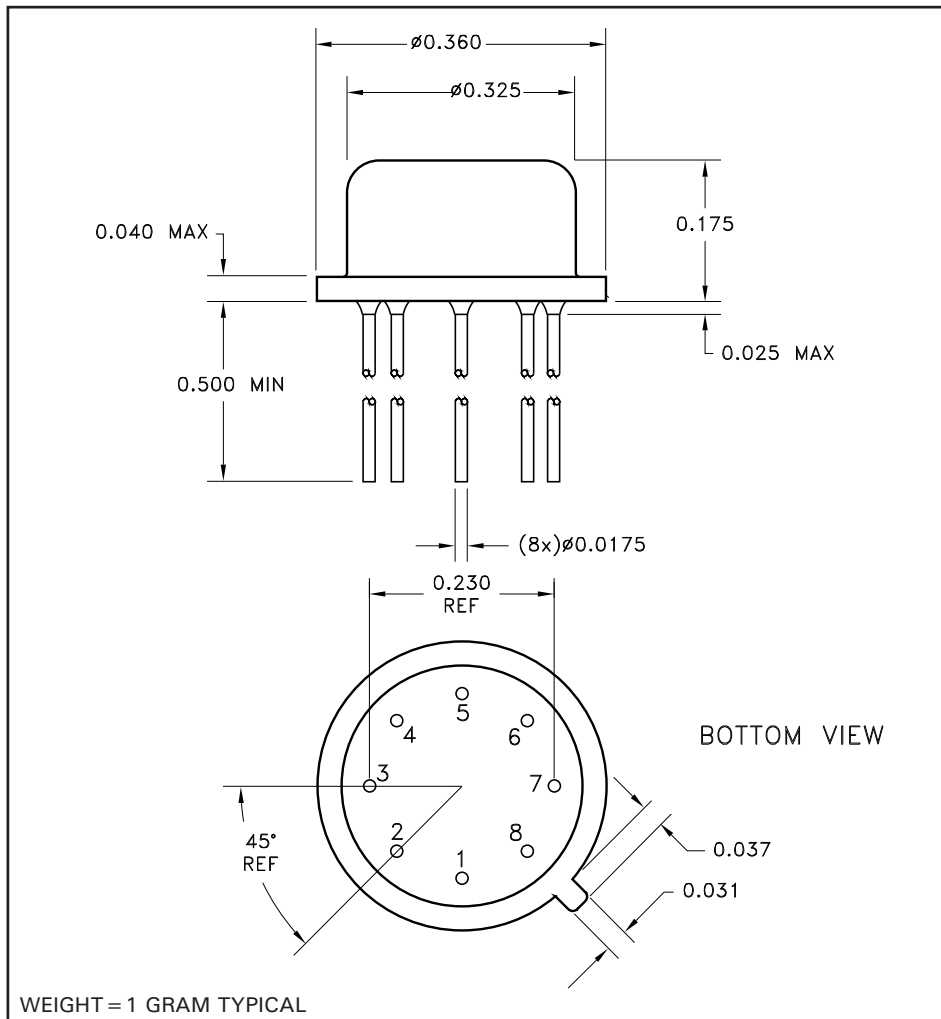
NEGATIVE PULSE



INPUT OFFSET CURRENT



## MECHANICAL SPECIFICATIONS



ALL DIMENSIONS ARE  $\pm 0.010$  INCHES UNLESS OTHERWISE LABELED

## ORDERING INFORMATION

Part Number	Screening Level
MSK0002RH	Industrial
MSK0002HRH	MIL-PRF-38534 Class H
MSK0002KRH	MIL-PRF-38534 Class K
5962-78013	DSCC SMD

M.S. Kennedy Corp.  
 4707 Dey Road, Liverpool, New York 13088  
 Phone (315) 701-6751  
 FAX (315) 701-6752  
[www.mskennedy.com](http://www.mskennedy.com)

The information contained herein is believed to be accurate at the time of printing. MSK reserves the right to make changes to its products or specifications without notice, however, and assumes no liability for the use of its products. Please visit our website for the most recent revision of this datasheet.