

UNAUTHORIZED USE OF THIS  
DRAWING IS STRICTLY PROHIBITED

DAR	REV	DESCRIPTION	APPVD	DATE
1270	A	INITIAL RELEASE	TJD	3-07
1317	B	CHANGE TEMPERATURE TO 150 DEGREES	TJD	7-07
1544	C	CHANGE LD HEIGHT & HEIGHT DIMS	DG	9-08
2035	D	SEE DAR	DG	9-09
5098	E	SEE DAR	DG	7-14

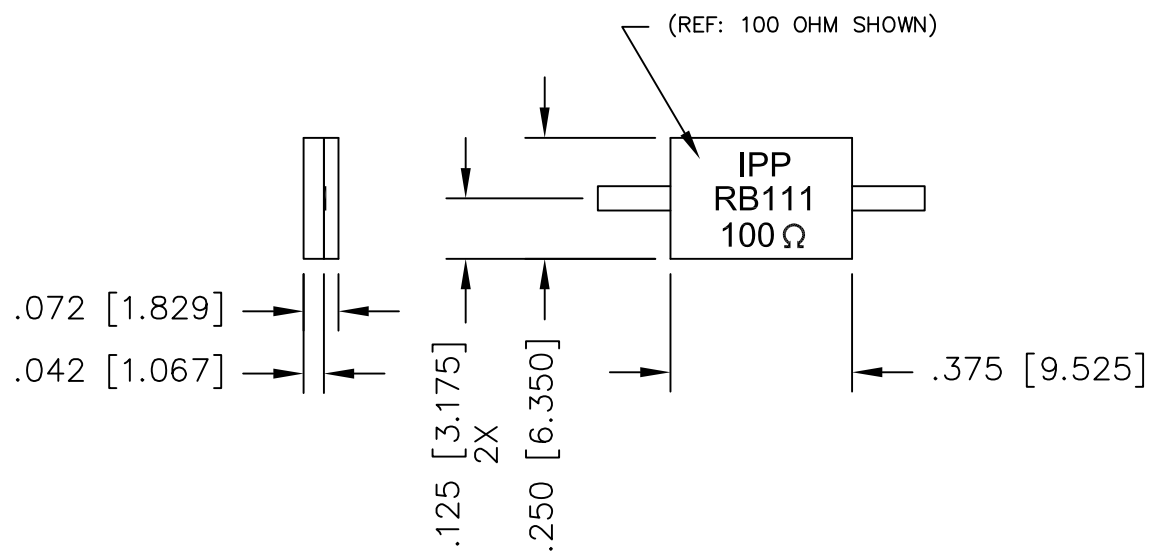
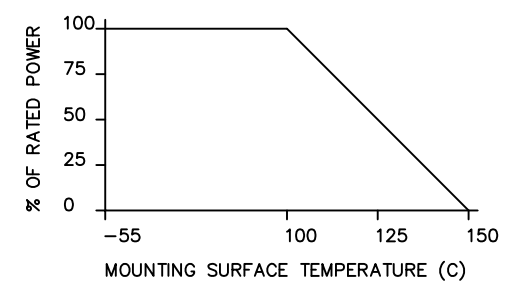
**NOTES**

- LEAD MATERIAL:  
99.99% PURE SILVER  
.050 [1.270] WIDE x .005 [.127] THICK
- LEAD LENGTH: .150 [3.810] MIN.
- SUBSTRATE MATERIAL: BeO  
COVER MATERIAL: Al<sub>2</sub>O<sub>3</sub>
- DIMENSIONS: INCHES, [mm]
- BOTTOM SIDE METALIZATION:  
THICK FILM PLATINUM SILVER
- RoHS COMPLIANT.

**ELECTRICAL SPECIFICATIONS**

INPUT POWER: 150 WATT  
 FREQUENCY: DC - 2.0 GHZ.  
 CAPACITANCE: 3.5 pF

**POWER DERATING CURVE**



PART NO.	VALUE	TOLERANCE
IPP-RB111-50	50 OHMS	+/- 5%
IPP-RB111-100	100 OHMS	+/- 5%
IPP-RB111-200	200 OHMS	+/- 5%

MATERIAL	[3]	DWN DG	DATE 3-07	<b>Innovative Power Products</b>
FINISH	[5]	ENG TJD	DATE 3-07	
TOLERANCE		MANUF TP	DATE 3-07	TITLE
IN [MM]	.xx ±.02 [.50] .xxx ±.010 [.254]	CAGE CODE: 437R2		RESISTOR, 150 WATT, FLANGELESS
		SHEET OF	SCALE	P/N
		1 1	4:1	IPP-RB111-XXX
				REV.
				E