

● PROFESSIONAL LED INDICATORS Ø12.7mm Mounting

## FEATURES



### 692 SERIES

PACK QUANTITY = 10 PIECES

- Black anodised aluminium housing
- Flame retardant flying lead options
- Sealed to IP67
- Full internal potting makes this product ideal for high vibration applications
- Internal reverse protection diode fitted as standard in all voltage models

## SPECIFICATION

Ordering Information & Typical Technical Characteristics (Ta = 25°C)

Mean Time Between Failure = 100,000 Hours. Luminous intensity figures refer to the unmodified discrete LED.

PART NUMBER	COLOUR	LENS	VOLTAGE DC (Vdc) Vopr	CURRENT DC (mA) Iopr	LUMINOUS INTENSITY Iv@20mA (mcd)	WAVE LENGTH λp (nm)	OPERATING TEMP Topr	STORAGE TEMP Tstg		
<b>HIGH INTENSITY</b>										
692-501-21	Red		Colour Diffused	12	20	11000	643	-40 ~ +95 <sup>^</sup>	-40 ~ +100	Yes
692-521-21	Yellow		Colour Diffused	12	20	16000	591	-40 ~ +95 <sup>^</sup>	-40 ~ +100	Yes
692-532-21	Green		Colour Diffused	12	20	23000	527	-40 ~ +95 <sup>^</sup>	-40 ~ +100	Yes
692-930-21	Blue		Colour Diffused	12	20	7000	470	-40 ~ +95 <sup>^</sup>	-40 ~ +100	Yes
692-997-21	Cool White		Colour Diffused	12	20	7800	see below	-30 ~ +85 <sup>^</sup>	-40 ~ +100	Yes
692-501-23	Red		Colour Diffused	24-28	20	11000	643	-40 ~ +95 <sup>^</sup>	-40 ~ +100	Yes
692-521-23	Yellow		Colour Diffused	24-28	20	16000	591	-40 ~ +95 <sup>^</sup>	-40 ~ +100	Yes
692-532-23	Green		Colour Diffused	24-28	20	23000	527	-40 ~ +95 <sup>^</sup>	-40 ~ +100	Yes
692-930-23	Blue		Colour Diffused	24-28	20	7000	470	-40 ~ +95 <sup>^</sup>	-40 ~ +100	Yes
692-997-23	Cool White		Colour Diffused	24-28	20	7800	see below	-30 ~ +85 <sup>^</sup>	-40 ~ +100	Yes
<b>UNITS</b>			<b>Vdc</b>	<b>mA</b>	<b>mcd</b>	<b>nm</b>	<b>°C</b>	<b>°C</b>		



Other voltages AC/DC available. Please contact our Technical Sales.

<sup>^</sup> = Products must be derated according to the derating information. Each derating graph refers to specific LEDs.

<b>997F</b>	*Typical emission colour cool white			
x	0.296	0.283	0.330	0.330
y	0.276	0.305	0.360	0.318

Intensities (Iv) and colour shades of white (x,y co-ordinates) may vary between LEDs within a batch.

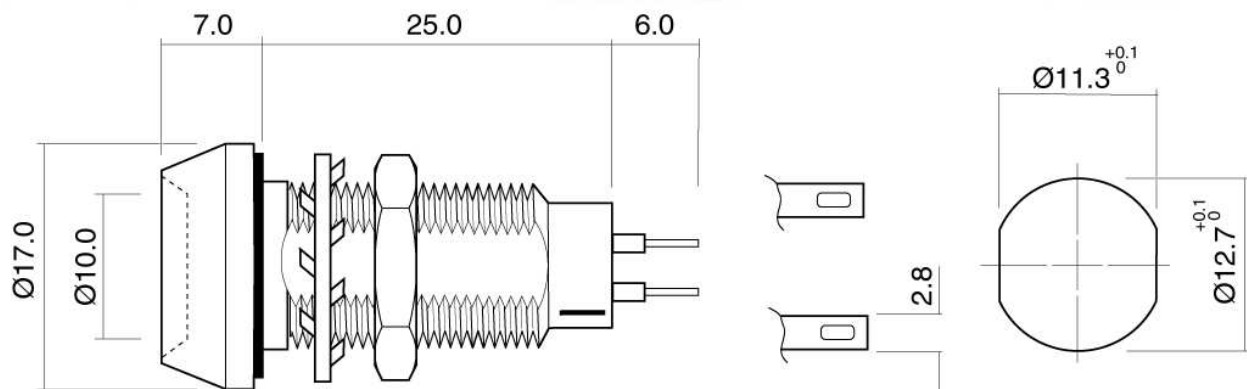
### How to Order:

website: [www.marl.co.uk](http://www.marl.co.uk) • email: [sales@marl.co.uk](mailto:sales@marl.co.uk) • webstore: [www.leds.co.uk](http://www.leds.co.uk)

• Telephone +44 (0)1229 582430 • Fax: +44 (0)1229 585155

The information contained in this datasheet does not constitute part of any order or contract and should not be regarded as a representation relating to either products or service. Marl International reserve the right to alter without notice the specification or any conditions of supply for products or service.

### 692 Series



**MOUNTING HOLE**

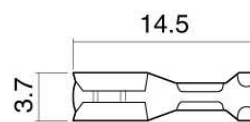
Dimensions in mm (Typical)  
Not to scale

Anode termination indicated by red sleeve  
Mounting hole to be clean and burr free

### MATERIALS

Body	Black Anodised Aluminium
Nut	Black Anodised Aluminium
Panel Seal	Viton
Termination Tags	Silver Flash Coated Brass
Fresnel lens	Polycarbonate
Encapsulation	PC5430 resin
Lock Washer	Spring Steel

### PUSH-ON CONNECTORS



925-000-00 is brass tin plated.  
For use with 692 series lamps.

Dimensions in mm (Typical)  
Not to scale

### TECHNICAL CHARACTERISTICS

SERIES	MAXIMUM POWER DISSIPATION	MAXIMUM REVERSE VOLTAGE	PANEL CUTOUT	NUT MOUNTING TORQUE	MINIMUM MOUNTING CENTRES	MIN/MAX. PANEL THICKNESS
692	1000	3* / 1000•	12.7	1.0	x,y = 19.5	1.5-8.0
UNITS	mW	Vdc	mm	Nm	mm	mm

\* = Current Version    • = Voltage Version

### OPTIONAL FLYING LEAD TERMINATIONS

ORDER CODE SUFFIX	SUPPLY VOLTAGE	WIRE COLOUR	WIRE LENGTH	NO/DIAMETER OF CONDUCTORS	DIAMETER OVER INSULATION	COMMENTS
15	DC Products	Red-anode / Black-cathode	150mm	19/0.15mm	1.2mm	Customised lengths available
15	AC Products	Brown-live / Blue-neutral	150mm			
19	DC Products	Red-anode / Black-cathode	1000mm			
19	AC Products	Brown-live / Blue-neutral	1000mm			

website: [www.marl.co.uk](http://www.marl.co.uk) • email: [sales@marl.co.uk](mailto:sales@marl.co.uk) • webstore: [www.leds.co.uk](http://www.leds.co.uk)

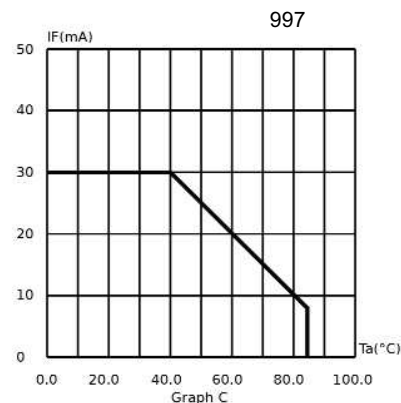
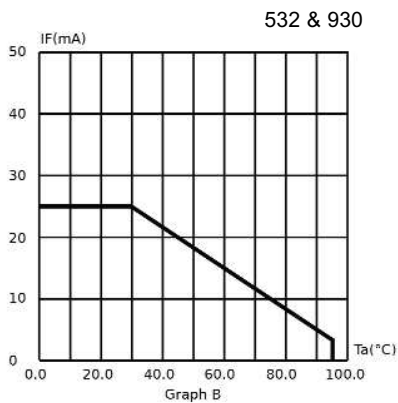
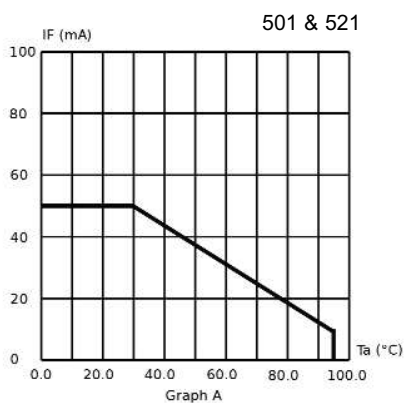
• Telephone +44 (0)1229 582430 • Fax: +44 (0)1229 585155

The information contained in this datasheet does not constitute part of any order or contract and should not be regarded as a representation relating to either products or service. Marl International reserve the right to alter without notice the specification or any conditions of supply for products or service.



BS EN ISO 9001:2000  
Approved Manufacturer

## DERATING INFORMATION



website: [www.marl.co.uk](http://www.marl.co.uk) • email: [sales@marl.co.uk](mailto:sales@marl.co.uk) • webstore: [www.leds.co.uk](http://www.leds.co.uk)

• Telephone +44 (0)1229 582430 • Fax: +44 (0)1229 585155

The information contained in this datasheet does not constitute part of any order or contract and should not be regarded as a representation relating to either products or service. Marl International reserve the right to alter without notice the specification or any conditions of supply for products or service.

