

HSF

NOTES:
 Current Rating: 1AMP
 Contact Resistance: 20mΩ max
 Withstand Voltage: 500V AC/DC
 Insulation Resistance: 1000MΩ min
 Operation Temperature: -40°C to +105°C

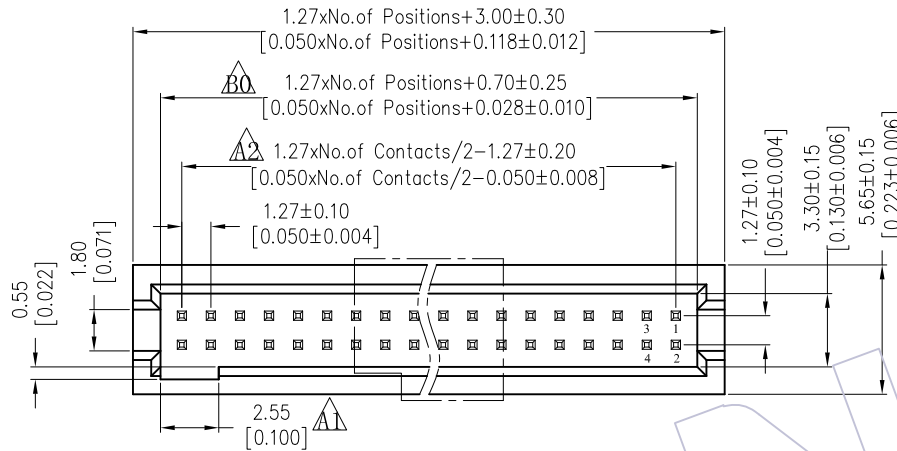
Contact Material: Brass
 Contact plating: Au or Sn Over Ni
 Insulator Material: PA9T+33%GF(UL94V-0)

6 To 8 Pin No "D" Configuration

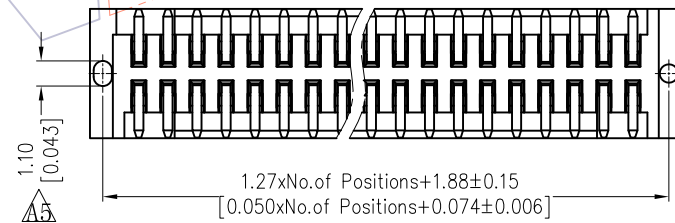
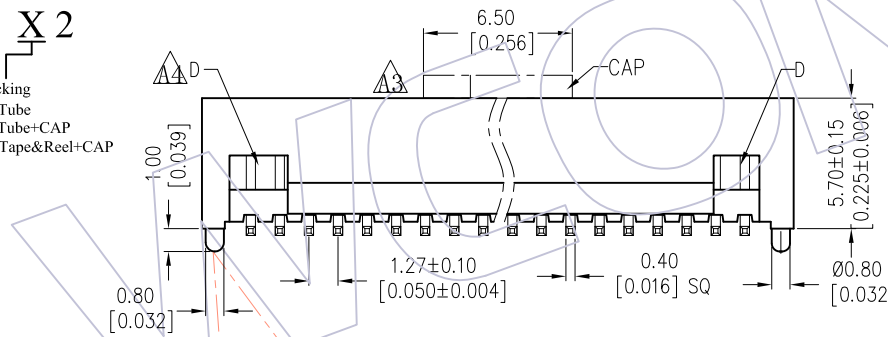
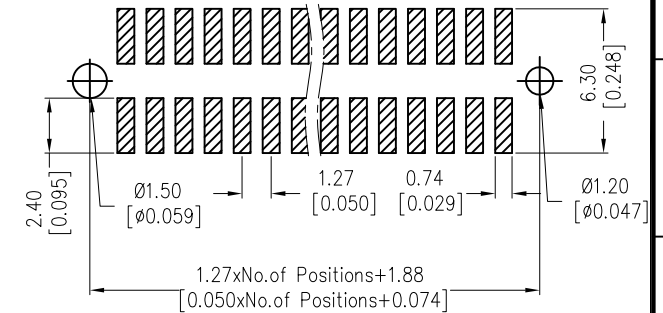
Ordering Information

3131-XX M XX BK 00 X 2

No. of Pins	Contact Plating	Color Insulator	Packing
10 34	G0=Gold Flash	B=Black	T=Tube
14 40	G3=10u"Gold		P=Tube+CAP
20 44	G4=15u"Gold		R=Tape&Reel+CAP
24 50	G5=30u"Gold		
26 60	S0=Gold Flash/Tin		
30 64	S3=10u"Gold/Tin		
32 80	S4=15u"Gold/Tin		
100	S5=30u"Gold/Tin		
	SN=Tin		



Recommended P.C.B Layout (Top Side)
 (PCB BOARD TOLERANCE ± 0.05)



B0	2016/11/11	Change Dimension	△	OPERATION	DRAW	DATE	SCALE	FIT	PART NO. 3131-XXMXXBK00X2
A5	2014/09/16	Modify		X.X	±0.40	DingWenMin	2016/11/11	UNIT	
A4	2013/09/27	Modify	△	X.XX	±0.25	CHECK	DATE	SIZE	A4
A0	2008/04/25	NEW		X.XXX	±0.15	APPROVE	DATE	SHEET	1/1
REV	DATE	MODIFICATION DESCRIPTION	CHANGE	Angle	± 3'			PROJ.	Customer NO.
				DIM	TOL				

WCON
 Http: www.wcon.com

TITLE:
 1.27 BOX HEADER SMT
 H=5.70 WITH POST

WCON-Dongguan
 Tel: +86 769 85358920
 Fax: +86 769 85358915
 E-mail: sales@wcon.com

WCON-Kunshan
 Tel: +86 512 57468408
 Fax: +86 512 57468468
 E-mail: salesks@wcon.com