



1668

CMOS IC

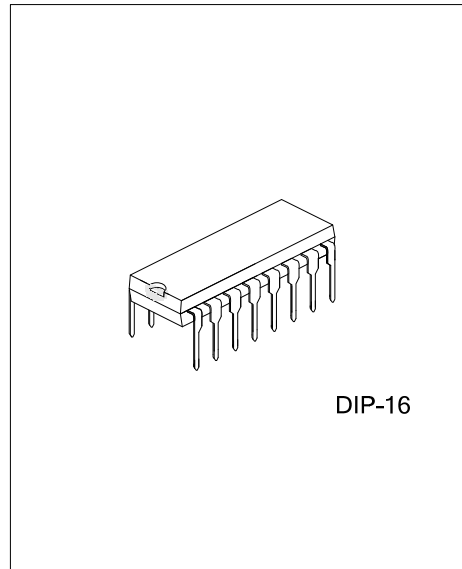
DUAL TONE MELODY XMAS LIGHT CONTROL

FEATURES

- * 5 SCR outputs
- * 2 Mode sequence trigger key
- * Mode 0: 7 function Vol pin control volume
- * Mode 1: 8 function Auto Volume control
- *OPT "Floation" Mode 0
"VSS" Mode 1

APPLICATION

- * Xmas light control etc

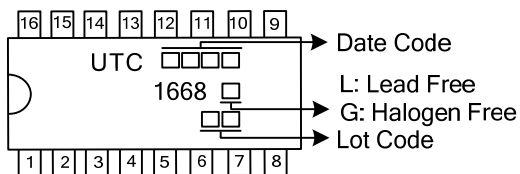


ORDERING INFORMATION

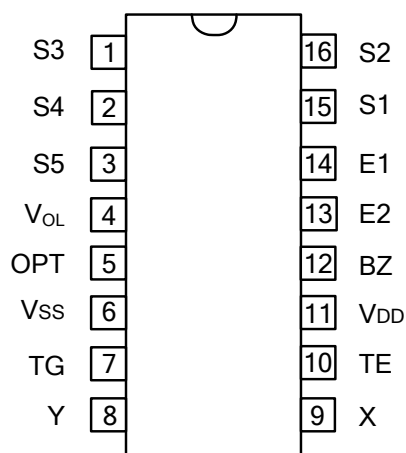
Ordering Number		Package	Packing
Lead Free	Halogen Free		
1668L-D16-T	1668G-D16-T	DIP-16	Tube

<p>1668G-D16-T</p> <ul style="list-style-type: none"> (1) Packing Type (2) Package Type (3) Green Package 	<ul style="list-style-type: none"> (1) T: Tube (2) D16: DIP-16 (3) G: Halogen Free and Lead Free, L: Lead Free
--	---

MARKING



■ PIN CONFIGURATION



■ PIN DESCRIPTIONS

Pin No	Symbol	Function
1	S3	LED3 output.
2	S4	LED4 output.
3	S5	LED5 output.
4	V _{OL}	Volume control active in mode0.
5	OPT	Mode option.
6	V _{SS}	Ground.
7	TG	Music switching.
8	Y	OSC resistor out.
9	X	OSC resistor in.
10	TE	For test
11	V _{DD}	Power
12	BZ	Music output.
13	E2	Tone quality processing.
14	E1	Tone quality processing.
15	S1	LED1 output.
16	S2	LED2 output.

■ ELECTRICAL CHARACTERISTICS ($V_{DD}=4.3V$, unless otherwise specified)

PARAMETER	SYMBOL	TEST CONDITIONS	MIN.	TYP	MAX	UNIT
Operating Voltage	V_{DD}			4.3	5	V
Operating Current	I_{OP}	No load			2	mA
BZ Driving Current	I_{OH}	$V_{DS}=1V$		0.2		mA
Oscillator Frequency	F_{OSC}	External 30%, $R_{OSC}=270K$		100		KHz
Operating Temperature	T_{OPR}		0	25	60	°C

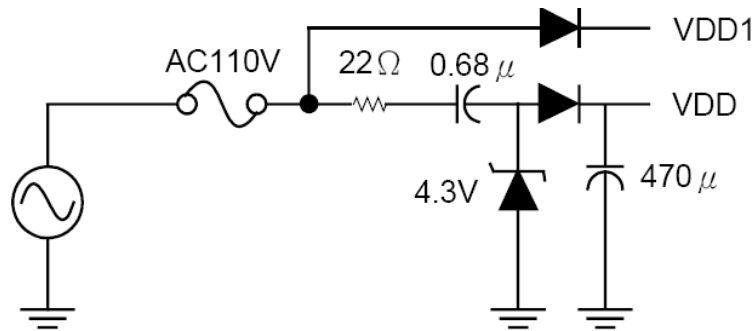
■ MODE FORMAT

MODE	MODE 0	MODE 1	
	LIGHT	LIGHT	VOLUME
M1	Inphase	Inphase	Max.
M2	Mode Sequential	2 Mode Sequential	Middle
M3	Lamp Flash	1 Lamp Flash	Min.
M4	Lamp Chasing	Rotary	Max.
M5	M1 M4 Rotary	Inphase + 2 Lamp Chasing	Middle
M6	M1 M4 Rotary	2 Mode Sequential + 1 Lamp Flash	Min.
M7	Steady on	Rotary	Mute
M8		Steady on	

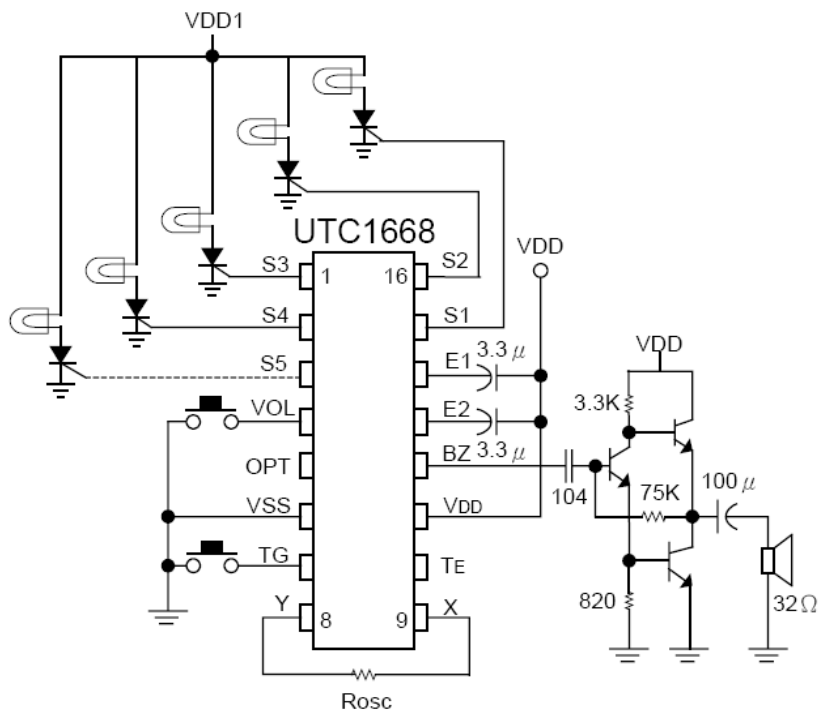
■ SONG LIST

No.	SONG NAME	No.	SONG NAME
1	Angels we have heard on high	14	Santa Claus coming to down
2	Silent night	15	O Christmas tree
3	Away in a manger	16	Rudolph,the red-nosed reindeer
4	We three king of orient are	17	What child is this
5	Jingle balls	18	I saw three ships
6	We wish you a merry Christmas	19	O litter town of Bethlehem
7	The twelve days of Christmas	20	God rest you merry,gentlemen hark
8	Up on the housetop	21	Deck the halls
9	Jolly old saint nickel	22	The heardl angels sing
10	Good king wencelas	23	The snow lay on the ground
11	O come ,all ye faithful	24	Bring a torch
12	Joy to the world	25	The first noel
13	It came upon the midnight clear		

■ APPLICATION CIRCUIT



■ APPLICATION DIAGRAM



UTC assumes no responsibility for equipment failures that result from using products at values that exceed, even momentarily, rated values (such as maximum ratings, operating condition ranges, or other parameters) listed in products specifications of any and all UTC products described or contained herein. UTC products are not designed for use in life support appliances, devices or systems where malfunction of these products can be reasonably expected to result in personal injury. Reproduction in whole or in part is prohibited without the prior written consent of the copyright owner. UTC reserves the right to make changes to information published in this document, including without limitation specifications and product descriptions, at any time and without notice. This document supersedes and replaces all information supplied prior to the publication hereof.