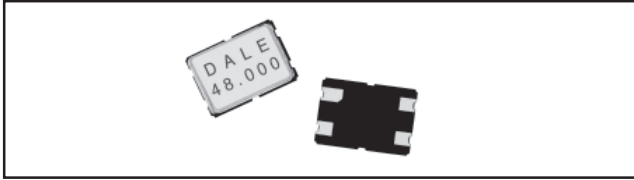




## Quartz Crystals

Surface Mount 9.8304MHz to 84.0MHz



### FEATURES

- Miniature package.
- Economical cost.

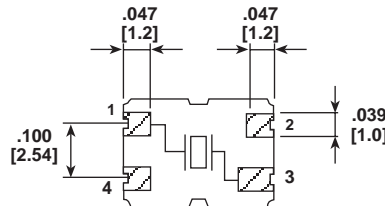
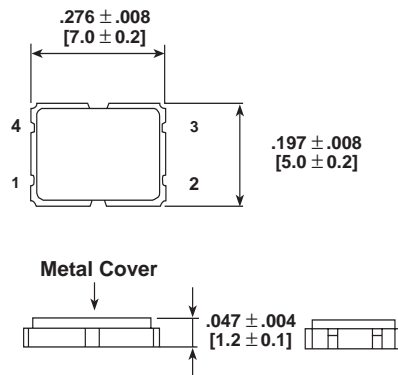
### EQUIVALENT SERIES RESISTANCE

FREQUENCY RANGE (MHz)	MODE OF VIBRATION	ESR MAX. (Ohms)
9.8304 - 16.0	Fundamental	60
16.001 - 40.0	Fundamental	40
40.001 - 84.0	3rd Overtone	60

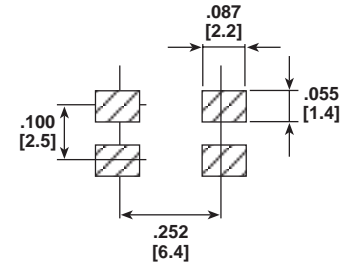
### STANDARD SPECIFICATIONS

**Operating Temperature Range:** - 10°C to + 60°C.  
**Frequency Range:** 9.8304MHz to 84.0MHz.  
**Frequency Tolerance:** ± 30PPM @ + 25°C (typical).  
**Temperature Stability:** ± 30PPM (typical).  
**Storage Temperature:** - 40°C to + 85°C.  
**Load:** 12 to 32pF or series resonant.  
**Drive Level:** 0.1mW maximum.  
**Shunt Capacitance:** 7pF maximum.  
**Tape and Reel:** 1000 pieces.

### DIMENSIONAL CONFIGURATIONS [Numbers in brackets indicate millimeters]



### Recommended Solder Pad Layout



### HOW TO ORDER

XT57C  
MODEL

- 20  
LOAD

25M  
FREQUENCY/MHz

Blank = Series  
 - 20 = 20pF Standard  
 - 32 = 32pF  
 - 16 = 16pF