

PLEASE CHECK WWW.MOLEX.COM FOR LATEST PART INFORMATION

Part Number: [0444761111](#)
Status: **Active**
Overview: [minifit_plus_hcs](#)
Description: Mini-Fit HCS™ Crimp Terminal 44476, 18-20 AWG, Reel, Copper (Cu) Alloy, Tin (Sn)

Documents:

[Drawing \(PDF\)](#) [RoHS Certificate of Compliance \(PDF\)](#)
[Product Specification PS-44476-001 \(PDF\)](#)

General

Product Family	Crimp Terminals
Series	44476
Comments	High Current
Crimp Quality Equipment	Yes
Overview	minifit_plus_hcs
Product Name	Mini-Fit HCS™

Physical

Gender	Female
Material - Metal	High Performance Alloy (HPA)
Material - Plating Mating	Tin
Material - Plating Termination	Tin
Packaging Type	Reel
Plating min: Mating (µin)	100
Plating min: Mating (µm)	2.5
Termination Interface: Style	Crimp or Compression
Wire Insulation Diameter	1.30-3.10mm (.051-.122")
Wire Size AWG	18, 20
Wire Size mm²	N/A

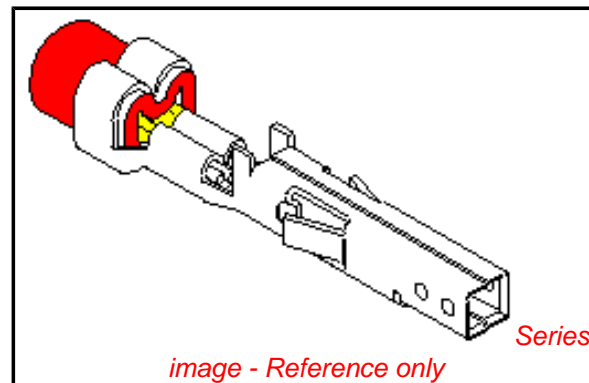
Electrical

Current - Maximum per Contact	11A
-------------------------------	-----

Material Info

Reference - Drawing Numbers

Packaging Specification	PK-44476-001
Product Specification	PS-44476-001, RPS-44476-001
Sales Drawing	SD-44476-****



EU RoHS

ELV and RoHS Compliant
REACH SVHC Contains SVHC: No
Halogen-Free Status
Halogen-Free

China RoHS



Need more information on product environmental compliance?

Email productcompliance@molex.com
 For a multiple part number RoHS Certificate of Compliance, [click here](#)

Please visit the [Contact Us](#) section for any non-product compliance questions.

Search Parts in this Series

44476Series

Application Tooling | FAQ

Tooling specifications and manuals are found by selecting the products below. Crimp Height Specifications are then contained in the Application Tooling Specification document.

Global

Description	Product #
Hand Crimp Tool for Mini-Fit™ Jr. Male and Female Crimp Terminals, 16-24 AWG	0638190900
Extraction Tool	0011030044
T2 Terminator	0639102900
Tooling Die	
FineAdjust™	0639015600
Applicator for Mini-Fit Jr.™, Mini-Fit HCS™ Crimp Terminals,	

18-24 AWG and smaller insulation	
T2 Terminator Die	<u>0639102600</u>
FineAdjust™	<u>0639002600</u>
Applicator	
FineAdjust™	<u>0639002900</u>
Applicator, Small Insulation	

This document was generated on 05/27/2010

PLEASE CHECK WWW.MOLEX.COM FOR LATEST PART INFORMATION

ITEM NO.	FORM	WIRE GAGE	QUANTITY PER REEL	DIM. "B"	DIM. "C"	DIM. "D"	DIM. "E"	DIM. "F"	DIM. "G"
44476-1111	CHAIN	18-20 GA.	4,000	.142±.012 (3.60±0.30)	.177±.016 (4.50±0.40)	.035 (0.90)	.075±.012 (1.90±0.30)	.091±.016 (2.30±0.40)	.020 (0.50)
44476-1112	LOOSE								
44476-3111	CHAIN	16 GA.	4,000	.142±.012 (3.60±0.30)	.177±.016 (4.50±0.40)	.035 (0.90)	.091±.012 (2.30±0.30)	.106±.016 (2.70±0.40)	.024 (0.60)
44476-3112	LOOSE								

LEGEND:

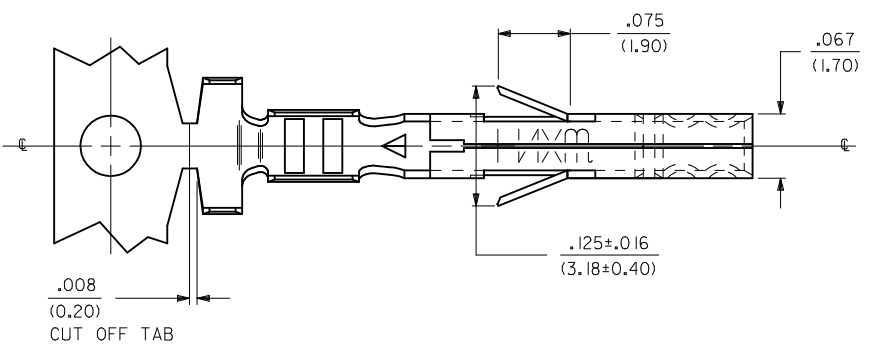
44476 - * * 1 *

BASE NO. _____

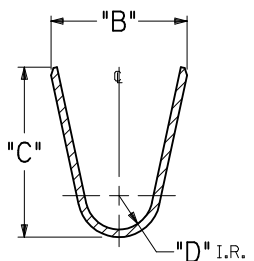
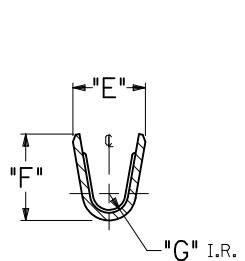
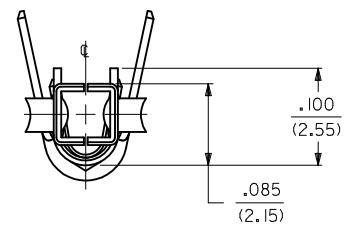
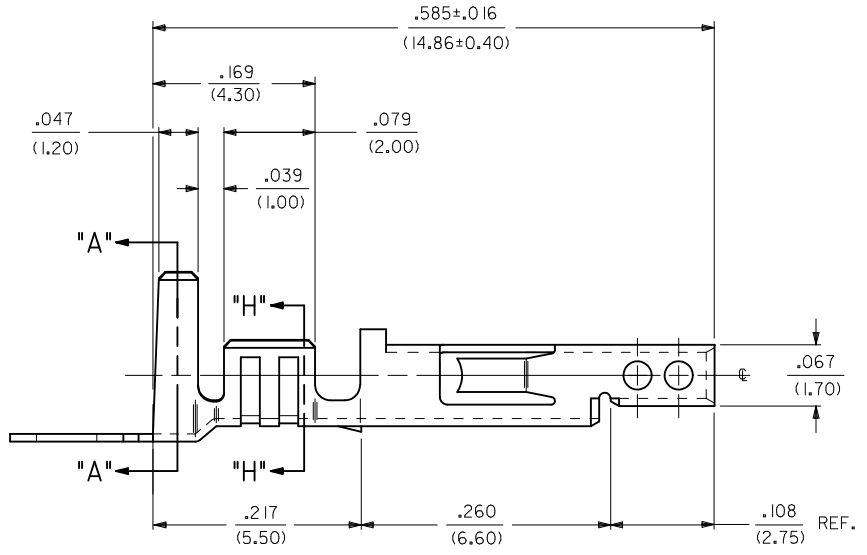
WIRE GAGE
1 = 18-20 AWG
3 = 16 AWG

PLATING
SEE NOTE 2

CHAIN OR LOOSE
"1" = CHAIN
"2" = LOOSE



- NOTES:
- MATERIAL: COPPER ALLOY, .008/(.203) THICK.
 - FINISH:
 - *1 = POSTPLATE .000100/(.00254) MIN. BRIGHT TIN OVER .000050/(0.00127) MIN. NICKEL OVERALL.
 - *THE PRIMARY SHIPPING CARTON WILL BE LABELED "COMPLIANT TO RoHS DIRECTIVE 2002/95/EC AND ELV ANNEX II OF DIRECTIVE 2000/53/EC." CARTONS WITHOUT THIS LABEL MAY CONTAIN PRODUCT WITH TIN-LEAD PLATING.
 - PRODUCT SPECIFICATION AND PROCESSING PARAMETERS: SEE PS-44476-001.
 - PACKAGING SPECIFICATION: PK-44476-001 FOR CHAIN TERMINALS
PK-5556-003 FOR LOOSE TERMINALS
 - MATES WITH 44478 MALE TERMINAL AND 43810, 44068, 44472, 44473, 44474, 42404, 5569 AND 30070 SERIES CONNECTORS.
 - TERMINAL FOR USE WITH 5557, 30067 & 42474 SERIES HOUSINGS.
 - ITEM NUMBERS PRECEDED BY AN "X" IN THE CHART ARE NOT AVAILABLE.



SECT. "H-H"

SECT. "A-A"

CHANGED NOTE 4 EC NO: UCP2010-0471 DRWN: JAGUILAR 2009/12/23 CHKD: J.BELL 2009/12/23 APPR: F.S.MITH 2009/12/28 REV: D2	QUALITY SYMBOLS ▽=0 ▽=0	GENERAL TOLERANCES (UNLESS SPECIFIED) <table border="1"> <thead> <tr> <th></th> <th>mm</th> <th>INCH</th> </tr> </thead> <tbody> <tr> <td>4 PLACES</td> <td>± .010</td> <td>± .0004</td> </tr> <tr> <td>3 PLACES</td> <td>± .010</td> <td>± .0004</td> </tr> <tr> <td>2 PLACES</td> <td>± 0.25</td> <td>± .010</td> </tr> <tr> <td>1 PLACE</td> <td>± 0.38</td> <td>± .015</td> </tr> </tbody> </table>		mm	INCH	4 PLACES	± .010	± .0004	3 PLACES	± .010	± .0004	2 PLACES	± 0.25	± .010	1 PLACE	± 0.38	± .015	DIMENSION STYLE IN/MM	SCALE 10:1	DESIGN UNITS METRIC	THIRD ANGLE PROJECTION
		mm	INCH																		
	4 PLACES	± .010	± .0004																		
	3 PLACES	± .010	± .0004																		
2 PLACES	± 0.25	± .010																			
1 PLACE	± 0.38	± .015																			
DRAWN BY: GEP DATE: 1992/09/14 CHECKED BY: R.J.F. DATE: 1992/09/14 APPROVED BY: R.J.F. DATE: 1992/09/14		MATERIAL NO. SEE CHART		TITLE TERMINAL, FEMALE, CRIMP MINI-FIT H.C.S. SERIES BLANK-PLATE-FORM		MOLEX INCORPORATED DOCUMENT NO. SD-44476-****															
DRAFT WHERE APPLICABLE MUST REMAIN WITHIN DIMENSIONS		SIZE C		SHEET NO. 1 OF 1																	
THIS DRAWING CONTAINS INFORMATION THAT IS PROPRIETARY TO MOLEX INCORPORATED AND SHOULD NOT BE USED WITHOUT WRITTEN PERMISSION																					