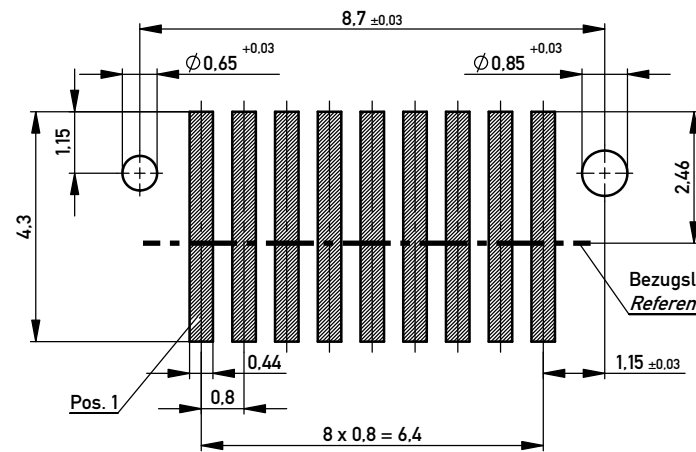
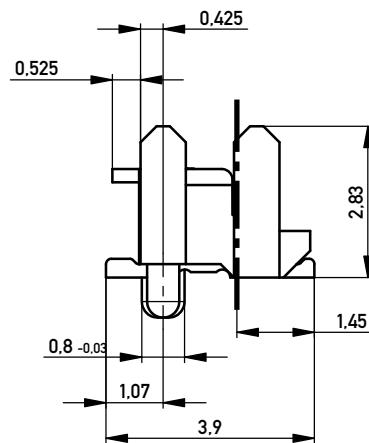


Leiterplatten-Layout Vorschlag
PCB-Layout Proposal



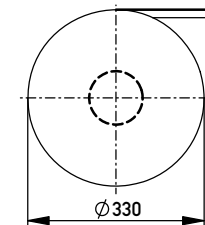
Bezugslinie für gestecktes Paar
Referenceline for mated pair



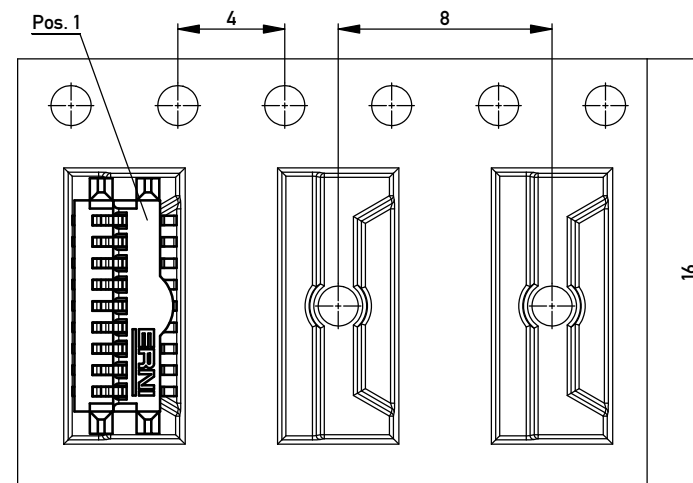
Koplanarität der Anschlüsse $\leq 0.1\text{mm}$
Coplanarity area of termination $\leq 0.1\text{mm}$

RoHS: 6/6
MSL: 1

Verpackt in Gurtverpackung
Tape on Reel Packaging
Verpackungseinheit: 1750 Stück
Packaging unit: 1750 pcs



Abspulrichtung - Reel off Direction



einreihig, mit Zapfen

1 row, with pegs

Information:	Tolerances	 All Dimensions in mm	Scale	10:1
	All rights reserved. Only for Information. To ensure that this is the latest version of this drawing, please contact one of the ERNI companies before using.			
Subject to modification without prior notice. Drawing will not be updated.		Designation MicroStac Steckv. 9 polig 3mm MicroStac conn. 9 cont. 3mm		
www.ERNI.com		224920		I A3
g	13.07.2012	Class		
Index	Date			

Copyright by ERNI GmbH
Preparatory notice pursuant to ISO 9006 to be observed.