

- Series 450, 460, 470 & 480 double row Header strips come with various styles (pin, slotted head, turret and solder cup) with pluggable solder tails.

450...001 uses pin #0290
460...001 uses pin #0282
470...001 uses pin #0700
480...001 uses pin #8000
See pages 182 & 183 for details.

- Insulators are high temp. thermoplastic.



Ordering Information

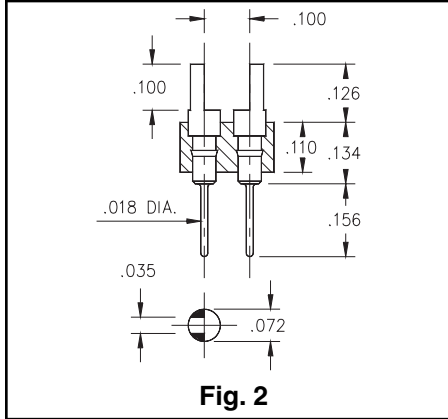


Fig. 1

Series 450...001 Pin / Solder Tail

450-XX-2__-00-001000

Specify # of pins → 02-64

Fig. 2

Series 460...001 Slotted Head / Solder Tail

460-10-2__-00-001000

Specify # of pins → 02-64

Fig. 3

Series 470...001 Turret / Solder Tail

470-XX-2__-00-001000

Specify # of pins → 02-64

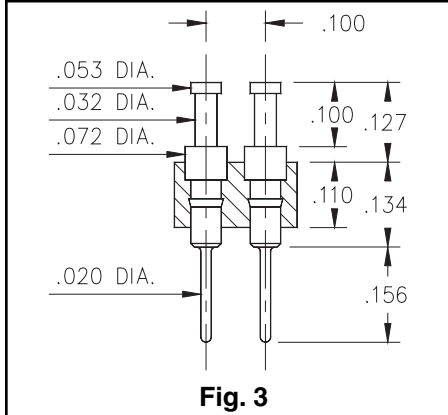
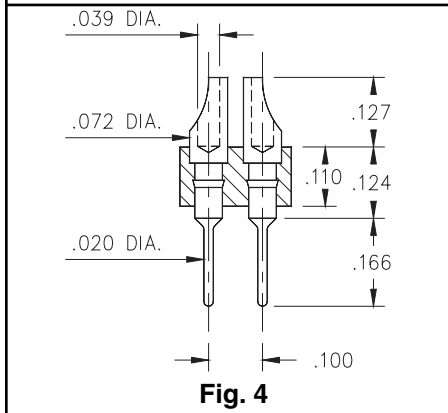


Fig. 4

Series 480...001 Solder Cup / Solder Tail

480-10-2__-00-001000

Specify # of pins → 02-64



For Electrical, Mechanical & Environmental Data, See pg. 4

XX=Plating Code See Below

For RoHS compliance select ◇ plating code.

SPECIFY PLATING CODE XX=	10◇	90	40◇	
Pin Plating	10μ" Au	200μ" Sn/Pb	200μ" Sn	