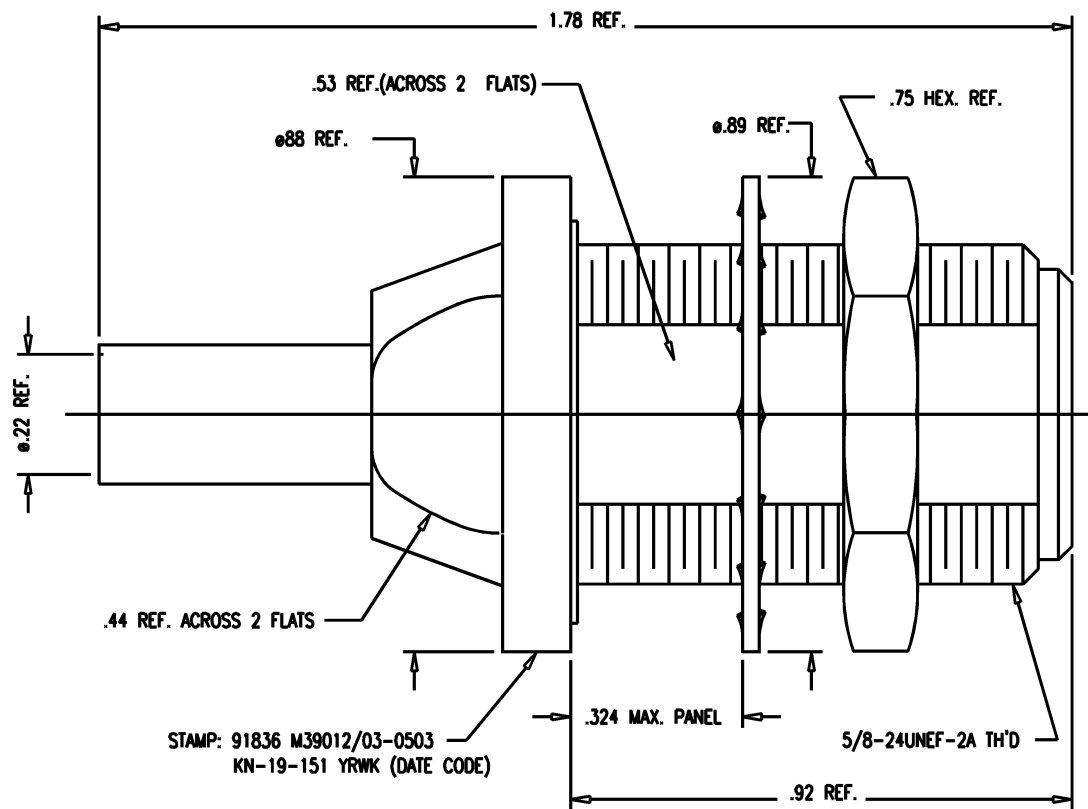


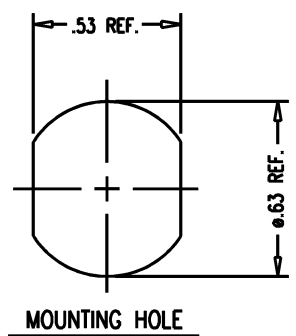
DASH NO.	M CODE	MADE FROM
----------	--------	-----------

SD

M39012/03-0503



- NOTES:
1. FOR USE RG-142, 223 & 400/U CABLE GROUPS.
 2. FOR CABLING INSTRUCTIONS SEE CP-489.
 3. FOR CRIMPING USE DIE KTH-2042.
 4. INTERFACE PER MIL-STD-348, FIG. 304-2.
 5. CENTER CONTACT (1-534-82 M9D) SUPPLIED UNASSEMBLED.
 6. MATERIALS:
 INSULATOR-TEFLON, ASTM-D-4894
 LOCKWASHER-PHOS. BRONZE, ASTM-B-103
 CENTER CONTACT-BER. COP., ASTM-B-196
 K-GRIP SLEEVE-COM. BRONZE, ASTM-B-140
 GASKET-SILICONE RUBBER, ZZ-R-765
 ALL OTHER METAL PARTS-BRASS, ASTM-B16
 7. FINISHES:
 CENTER CONTACT-GOLD PLATE PER MIL-G-45204
 ALL OTHER METAL PARTS-SILVER PLATE PER QQ-S-365
 8. ELECTRICAL CHARACTERISTICS:
 NOMINAL IMPEDANCE-50 OHMS
 FREQUENCY RANGE-DC TO 11 GHZ
 WORKING VOLTAGE-1000 VRMS



REVISIONS

ISSUE	CHANGES
5	CN 37427 C KH 08/15/90

KN19151S

SCALE 4:1

APPROX SURFACE AREA

KN-19-151

USED ON

REF:

JACK, BULKHEAD, N

DRAWN KH DATE 12/15/97

DESIGN LI DATE 12/16/97

APPR. DATE

KINGS
ELECTRONICS CO., INC.
TUCKAHOE, NEW YORK 10707

M39012/03-0503

SD