

UNSHIELDED SMD POWER INDUCTOR

AISC-1206H

RoHS
Compliant



3.2 x 1.6 x 1.8mm

FEATURES:

- Low profile dimension and small size, suitable for portable equipment
- Suitable for flow and reflow soldering
- Low DC resistance, high current capacity make it excellent for using as a choke coil in DC power supply circuits.

APPLICATIONS:

- Excellent for power line DC/DC conversion applications
- Used in hard disk , notebook computer and other electronic equipment.

STANDARD SPECIFICATIONS:

PARAMETERS

ABRACON P/N:	AISC-1206H-xxx Series
Operating temperature:	-40°C to + 85°C
Storage temperature:	-40°C to + 125°C

Part Number AISC-1206H-	Inductance (uH)	Tolerance %	Test Frequency (KHz)	Rated DC Current (mA)Max	DC Resistance (Ω)Max
AISC-1206H-45N	0.045	N	1000	1	0.027
AISC-1206H-95N	0.095	N	1000	0.9	0.035
AISC-1206H-R18	0.18	N	1000	0.8	0.048
AISC-1206H-R29	0.29	N	1000	0.7	0.072
AISC-1206H-R39	0.39	M, N	1000	0.6	0.082
AISC-1206H-R55	0.55	N	1000	0.5	0.15
AISC-1206H-R75	0.75	N	1000	0.4	0.18
AISC-1206H-R88	0.88	N	1000	0.3	0.20
AISC-1206H-1R0	1	N	1000	175	0.15
AISC-1206H-1R2	1.2	N	1000	170	0.17
AISC-1206H-1R5	1.5	N	1000	160	0.22
AISC-1206H-1R8	1.8	N	1000	150	0.32
AISC-1206H-2R2	2.2	N	1000	140	0.34
AISC-1206H-2R7	2.7	N	1000	135	0.35
AISC-1206H-3R3	3.3	N	1000	130	0.6
AISC-1206H-3R9	3.9	N	1000	125	0.64
AISC-1206H-4R7	4.7	N	1000	120	0.68
AISC-1206H-5R6	5.6	N	1000	115	0.94
AISC-1206H-6R8	6.8	N	1000	110	0.96
AISC-1206H-8R2	8.2	N	1000	105	1.08
AISC-1206H-100	10	M,N	1000	100	1.34
AISC-1206H-120	12	M,N	1000	95	1.4
AISC-1206H-150	15	M,N	1000	90	1.57
AISC-1206H-180	18	M,N	1000	85	1.71
AISC-1206H-220	22	M,N	1000	85	2.4
AISC-1206H-270	27	M,N	1000	85	2.9
AISC-1206H-330	33	M,N	1000	80	3.25
AISC-1206H-390	39	M,N	1000	55	3.47
AISC-1206H-470	47	M,N	1000	55	3.77
AISC-1206H-560	56	M,N	1000	50	6.37
AISC-1206H-680	68	M,N	1000	50	6.72
AISC-1206H-820	82	M,N	1000	45	8.2
AISC-1206H-101	100	M,N	1000	45	8.45

* Please contact Abracon for tighter tolerance.

Definition of Max. Rated DC Current (Ir): Maximum allowable DC current is that which causes a 10% inductance reduction from the initial value, or coil temperature to rise by 40C, whichever is smaller. (Reference ambient temperature 25C)

ABRACON IS
ISO 9001:2008
CERTIFIED



Visit www.abracon.com for Terms & Conditions of Sale
30332 Esperanza, Rancho Santa Margarita, California 92688
tel 949-546-8000 fax 949-546-8001 www.abracon.com

Revised: 08.06.13

UNSHIELDED SMD POWER INDUCTOR

AISC-1206H

RoHS
Compliant



3.2 x 1.6 x 1.8mm

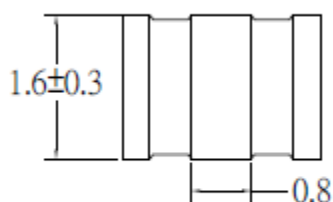
OPTIONS & PART IDENTIFICATION:

(Left blank if standard)

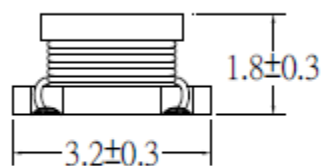
AISC-1206H- -

Inductance Code	Tolerance Code	Packaging
Please refer to the Table	M: ± 20% N: ± 30%	T: 1500 pcs/reel

OUTLINE DIMENSIONS:



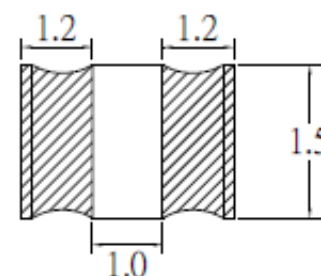
(TOP VIEW)



(FRONT VIEW)



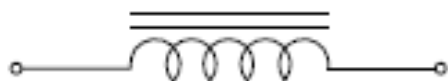
(SIDE VIEW)



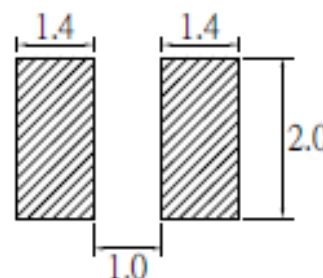
(BOTTOM VIEW)

Dimension: mm

Schematic



Pad Layout



Materials

Item	Material	SUPPLIER OF THE MATERIAL	UL CARD
Core	1CDH321816	FENGYIN ELECTRONICS (WU JIANG) CORP	
Wire	1W2UEW	PACIFIC ELECTRIC WIRE & CABLE CO., LTD.	E201757
Solder	1MTIN-Sn0.7Cu-2	DYFENCO ELECTRONIC CHEMICAL CORP	

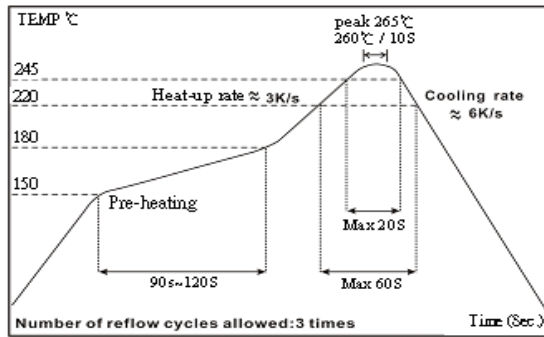
UNSHIELDED SMD POWER INDUCTOR

AISC-1206H

RoHS
Compliant

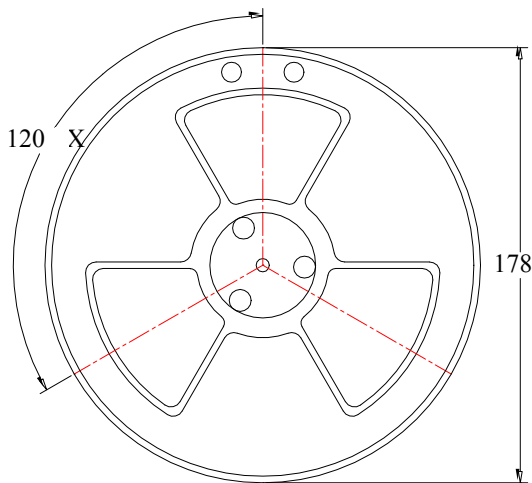
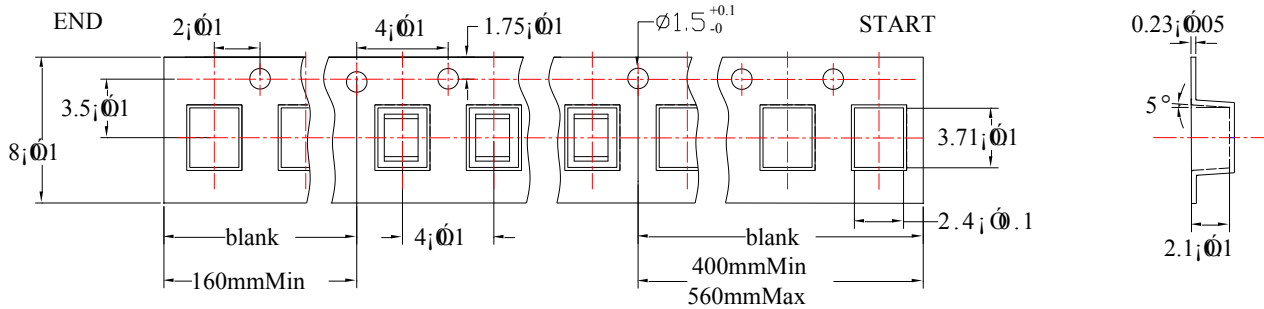


REFLOW PROFILE:



TAPE & REEL:

T= tape and reel (1,500pcs/reel)



A±0.1	B±0.1	C±0.1
8.5	2.3	100

Dimension: mm

ATTENTION: Abracon Corporation's products are COTS – Commercial-Off-The-Shelf products; suitable for Commercial, Industrial and, where designated, Automotive Applications. Abracon's products are not specifically designed for Military, Aviation, Aerospace, Life-dependant Medical applications or any application requiring high reliability where component failure could result in loss of life and/or property. For applications requiring high reliability and/or presenting an extreme operating environment, written consent and authorization from Abracon Corporation is required. Please contact Abracon Corporation for more information.

ABRACON IS
ISO 9001:2008
CERTIFIED



Visit www.abracon.com for Terms & Conditions of Sale
30332 Esperanza, Rancho Santa Margarita, California 92688
tel 949-546-8000 fax 949-546-8001 www.abracon.com

Revised: 08.06.13