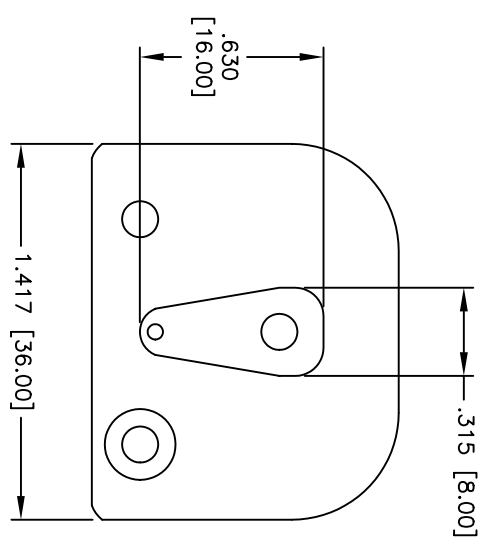
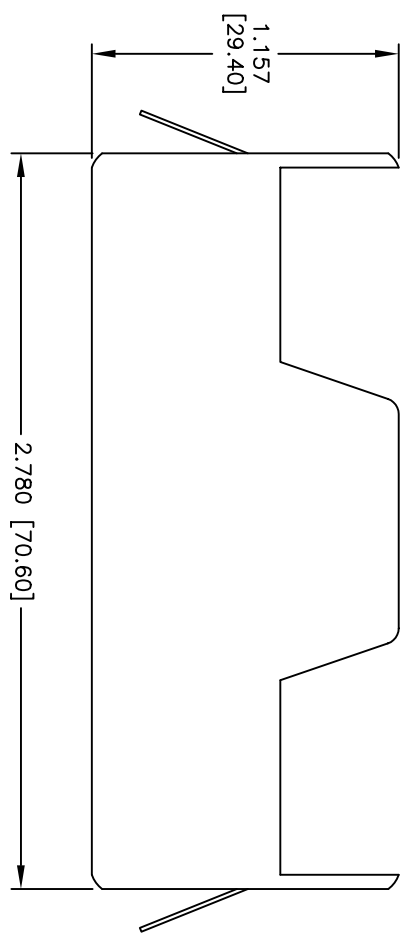
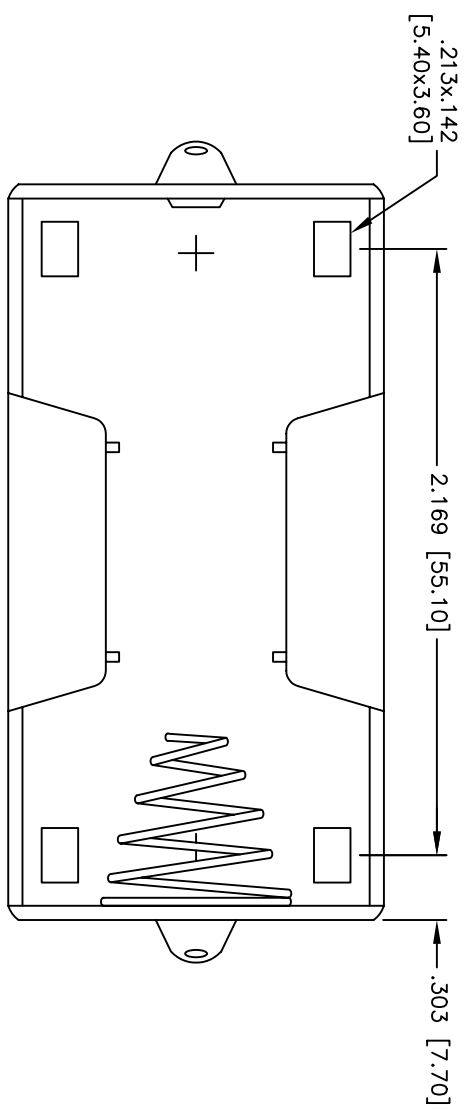


APPROVED: _____	DATE: _____	TITLE: _____
Rev	AWO #	Description
-		RELEASED
		Date
		1/21/05
		Appr



**SPECIFICATIONS:**

- Material: Insulator: Impact resistant Polypropylene, rated UL94-HB
- Insulator color: Black
- Spring: Steel, Nickel plated
- Contacts: Steel, Nickel plated
- Electrical: Operating voltage: 1.5 VDC max.
- Temperature Rating: Operating temperature: -10°C to +80°C
- Environmental: Lead free, RoHS compliant



UNLESS OTHERWISE SPECIFIED ALL DIMENSIONS ARE INCHES [MM] TOLERANCES: EXCEPT AS NOTED	
INCHES	HOLES
.X ± .10	ØX ± .10
.XX ± .020	ØXX ± .015
.XXX ± .015	ØXXX ± .010
APPROVALS	
DRAWN	SS
CHECKED	1/21/05
APPROVED	

**ADAM TECH**  
909 Rahway Avenue, Union, NJ 07083  
Phone: 908-687-5000 Fax: 908-687-5710

TITLE: BATTERY HOLDER, SOLDER TERMINALS FOR ONE "D" CELL

SIZE: X PART NO.: BH-18-3

SCALE: NTS SHEET 1 OF 1