

Tous droits strictement réservés. Reproduction ou communication a des tiers interdite sous quelque forme que ce soit sans autorisation écrite du propriétaire. Propriété de c FCI. Droits de reproduction FCI.



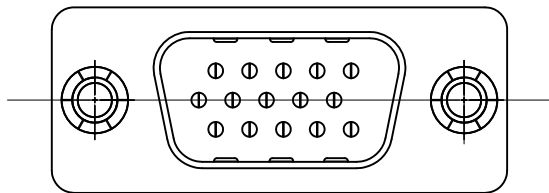
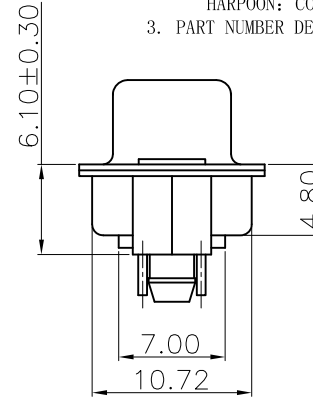
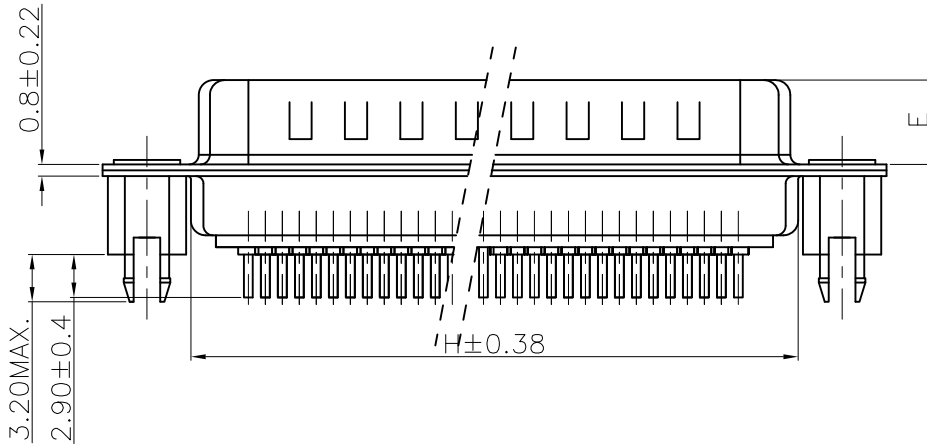
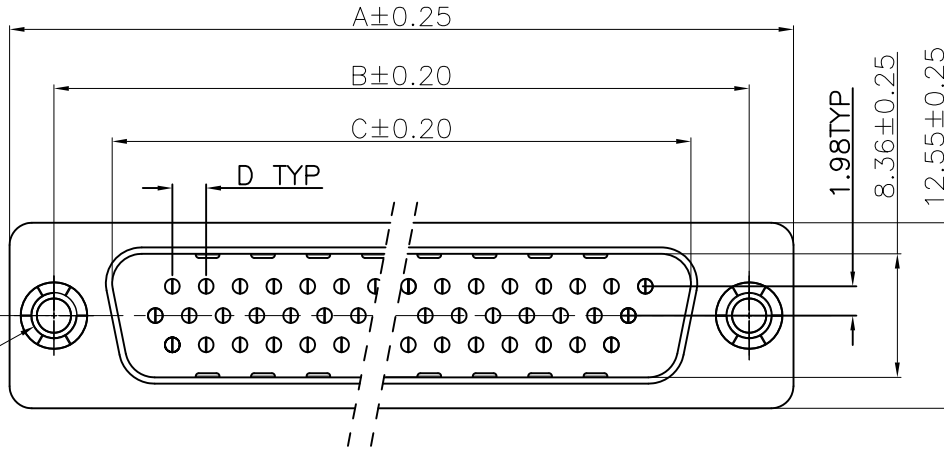
All rights strictly reserved. Reproduction or issue to third parties in any form whatever is not permitted without written authority from the proprietor. Property of FCI. Copyright FCI.

B

1 | 2

3 |

4



1 | 2

3 |

4

REMARK:

1. CHARACTERISTICS:

RATED VOLTAGE: 250V
 RATED CURRENT: 2.5AMP
 CONTACT RESISTANCE: 25mohms MAX. INITIAL,
 40mohms MAX. AFTER.
 INSULATION RESISTANCE: 5000Mohms MIN. at 500V DC
 DIELECTRIC STRENGTH: 750VRMS
 OPERATING TEMPERATURE RANGE: -55° C~105° C
 INSERTION/EXTRACTION FORCE PER CONTACT: 5N Max./0.2N Min..
 MATING/UNMATING CYCLES: 200MATINGS MIN FOR GOLD-FLASH
 500MATINGS MIN FOR 30u" GOLD.

2. MATERIAL:

INSULATORS: THERMOPLASTIC G.F(UL94V-0) BLACK
 CONTACTS: COPPER ALLOY, GOLD(G/F or 30u") TOP OVER CONTACT
 AREA, 100u" Min MATTE TIN TOP OVER SOLDER AREA,
 50u" Min NICKEL UNDER PLATE.
 SHELL: CARBON STEEL, 100u" Min NICKEL TOP OVER,
 50u" Min COPPER UNDER PLATE.
 HARPOON: COPPER ALLOY , 100u" Min MATTE TIN PLATED.

3. PART NUMBER DESCRIPTION: 10090928-P XX X X LF

SERIES NO. _____
 TYPE _____
 P: PIN (MALE)
 NUMBER OF CONTACTS _____
 15: 15-PIN
 26: 26-PIN
 44: 44-PIN
 62: 62-PIN
 LF: ROHS COMPLIANT
 FLANGE MOUNTING OPTION
 X: UNC #4-40 CLINCHNUTS
 L: M3 CLINCHNUTS
 CONTACT FINISH
 4: GOLD FLASH
 6: 30u" GOLD

POS.	PART NO.	THREAD TYPE
15	10090928-P15*LLF	M3X0.5
26	10090928-P26*LLF	M3X0.5
44	10090928-P44*LLF	M3X0.5
62	10090928-P62*LLF	M3X0.5
15	10090928-P15*XLF	UNC #4-40
26	10090928-P26*XLF	UNC #4-40
44	10090928-P44*XLF	UNC #4-40
62	10090928-P62*XLF	UNC #4-40

POS.	A	B	C	D	E	H
15	30.81	24.99	16.92	2.29	5.90 ^{+0.25} ₀	19.10
26	39.24	33.32	25.25	2.29	5.90 ^{+0.25} ₀	27.75
44	53.04	47.04	38.96	2.29	5.70 ^{+0.25} ₀	41.30
62	69.32	63.50	55.42	2.41	5.70 ^{+0.25} ₀	57.40

mat'l. code				tolerances unless otherwise specified				CUSTOMER COPY		FCI www.fciconnect.com	
ltr	ecn no	dr	date	linear		angles		projection	title	product family	code
A	T09-1156	J.H	12/10/09	.X ± 0.38		0° ±2'					
B	T10-0164	J.H	10/19/10	.XX ± 0.25				MM	size	dwg no	
				.XXX ± 0.10							scale
				0° ±2'				1:1			
				dr		JASON HSU 10/19/10					
				enr		JASON HSU 10/19/10					
				chr		GARY HSIEH 10/19/10					
				appd		JOSEPH HSIA 10/19/10					
sheet index	revision sheet	B 1	B 2	B 3	B 4	B 5					

ACAD

PDM: Rev:B

STATUS: Released

Printed: Nov 02, 2010

Tous droits strictement réservés. Reproduction ou communication a des tiers interdite sous quelque forme que ce soit sans autorisation écrite du propriétaire. Propriété de c FCI. Droits de reproduction FCI.



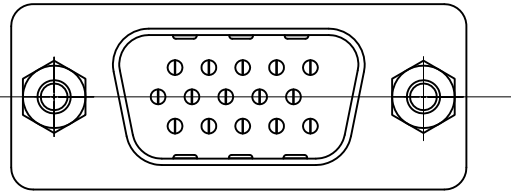
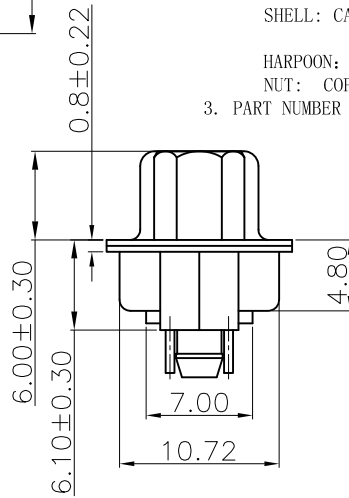
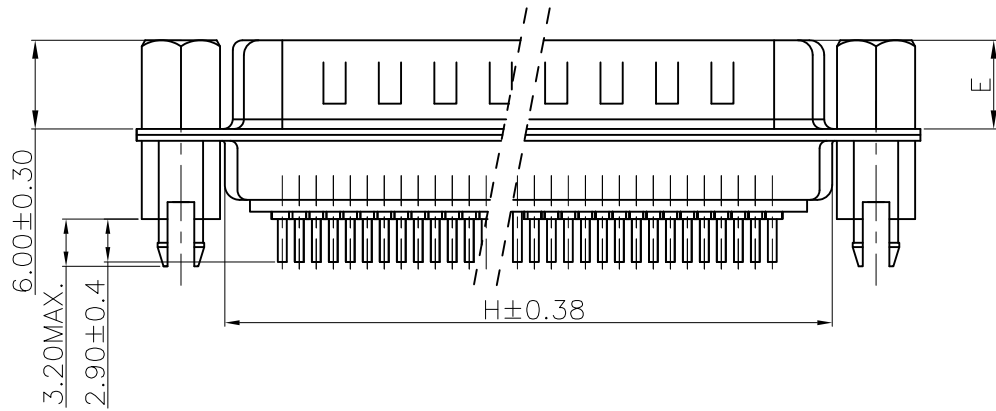
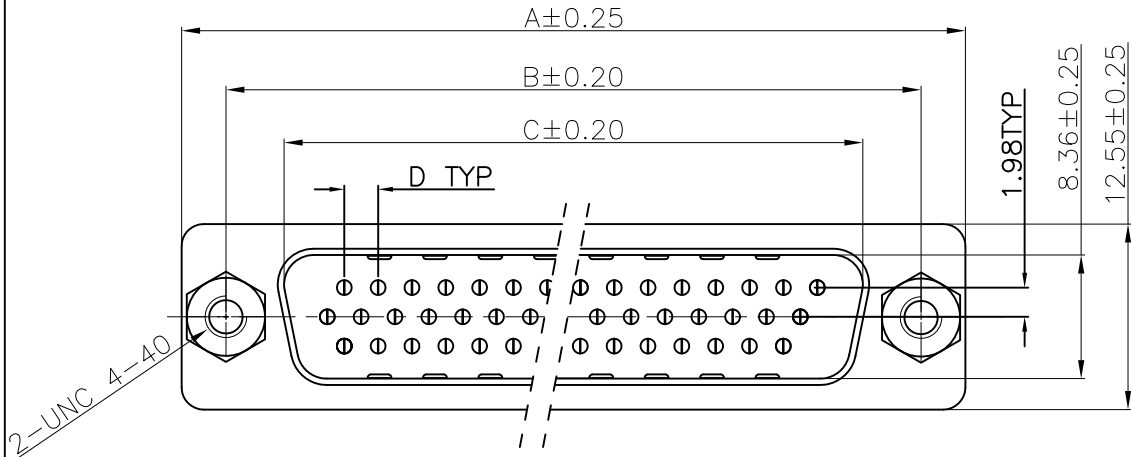
All rights strictly reserved. Reproduction or issue to third parties in any form whatever is not permitted without written authority from the proprietor. Property of FCI. Copyright FCI.

B

1 | 2

3

4



FOR 15P

1 | 2

REMARK:

- CHARACTERISTICS:
 - RATED VOLTAGE: 250V
 - RATED CURRENT: 2.5AMP
 - CONTACT RESISTANCE: 25mohms MAX. INITIAL, 40mohms MAX. AFTER.
 - INSULATION RESISTANCE: 5000Mohms MIN. at 500V DC
 - DIELECTRIC STRENGTH: 750VRMS
 - OPERATING TEMPERATURE RANGE: -55° C~105° C
 - INSERTION/EXTRACTION FORCE PER CONTACT: 5N Max./0.2N Min.
 - MATING/UNMATING CYCLES: 200MATINGS MIN FOR GOLD-FLASH 500MATINGS MIN FOR 30u" GOLD.

- MATERIAL:
 - INSULATORS: THERMOPLASTIC G.F(UL94V-0) BLACK
 - CONTACTS: COPPER ALLOY, GOLD(G/F or 30u") TOP OVER CONTACT AREA, 100u" Min MATTE TIN TOP OVER SOLDER AREA, 50u" Min NICKEL UNDER PLATE.
 - SHELL: CARBON STEEL, 100u" Min NICKEL TOP OVER, 50u" Min COPPER UNDER PLATE.
 - HARPOON: COPPER ALLOY, 100u" Min MATTE TIN PLATED.
 - NUT: COPPER ALLOY, 50u" Min NICKEL PLATED.

- PART NUMBER DESCRIPTION: **10090928-P XX X X LF**
 - SERIES NO. []
 - TYPE []
 - P: PIN (MALE)
 - NUMBER OF CONTACTS []
 - 15: 15-PIN
 - 26: 26-PIN
 - 44: 44-PIN
 - 62: 62-PIN
 - LF: ROHS COMPLIANT
 - FLANGE MOUNTING OPTION
 - V: UNC #4-40 SCREWLOCKS
 - CONTACT FINISH
 - 4: GOLD FLASH
 - 6: 30u" GOLD

POS.	PART NO.
15	10090928-P15*VLF
26	10090928-P26*VLF
44	10090928-P44*VLF
62	10090928-P62*VLF

POS.	A	B	C	D	E	H
15	30.81	24.99	16.92	2.29	5.90 ^{+0.25} ₀	19.10
26	39.24	33.32	25.25	2.29	5.90 ^{+0.25} ₀	27.75
44	53.04	47.04	38.96	2.29	5.70 ^{+0.25} ₀	41.30
62	69.32	63.50	55.42	2.41	5.70 ^{+0.25} ₀	57.40

mat'l. code				tolerances unless otherwise specified				CUSTOMER COPY		FCI	
ltr				linear				projection		title	
ecn no				.X ± 0.38				MM		www.fciconnect.com	
dr				.XX ± 0.25				H/D D-SUB MALE STRAIGHT			
date				.XXX ± 0.10				product family		code	
				0° ±2'				D-SUB		TWN	
				dr JASON HSU 10/19/10				size		sheet	
				enr JASON HSU 10/19/10				dwg no		2 of 5	
				chr GARY HSIEH 10/19/10				scale			
				appd JOSEPH HSIA 10/19/10				1:1			
sheet index		revision sheet									

ACAD

PDM: Rev:B

STATUS: Released

Printed: Nov 02, 2010

3

cage code

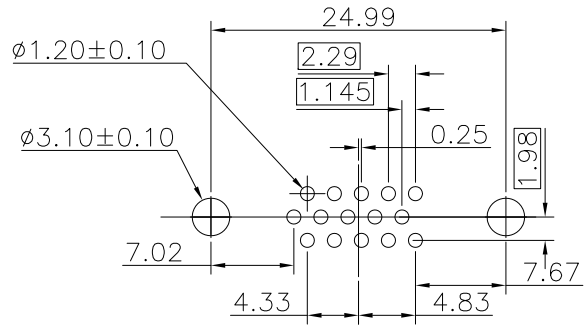
4

A

B

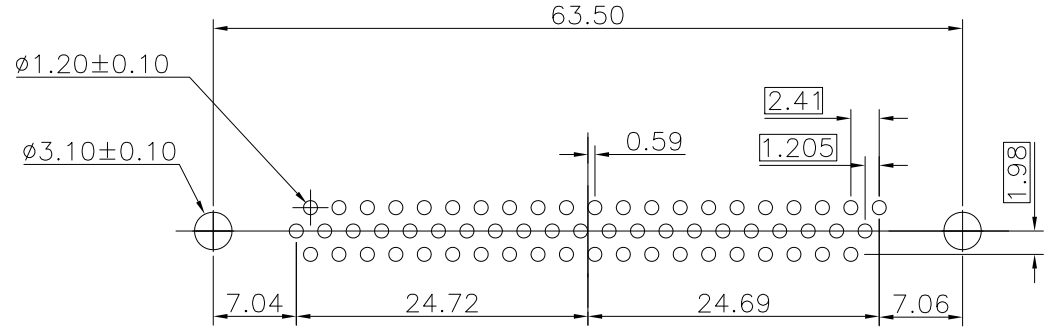


1 | 2



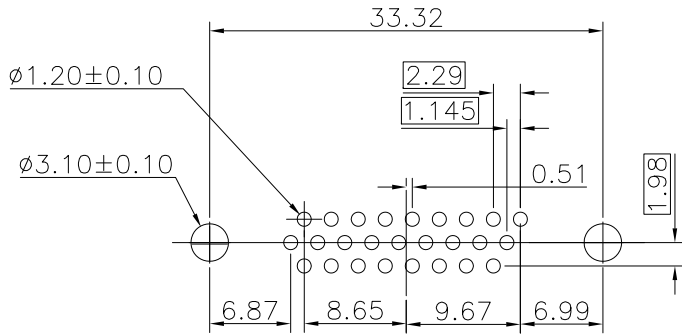
P.C.B LAYOUT(FOR 15P)

3 | 4



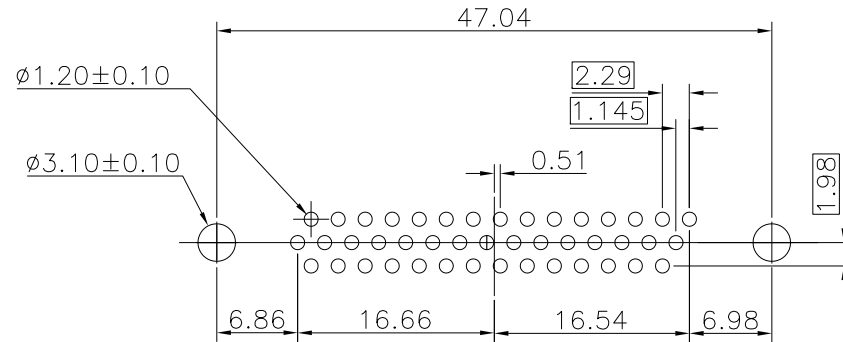
P.C.B LAYOUT(FOR 62P)

A



P.C.B LAYOUT(FOR 26P)

A



P.C.B LAYOUT(FOR 44P)

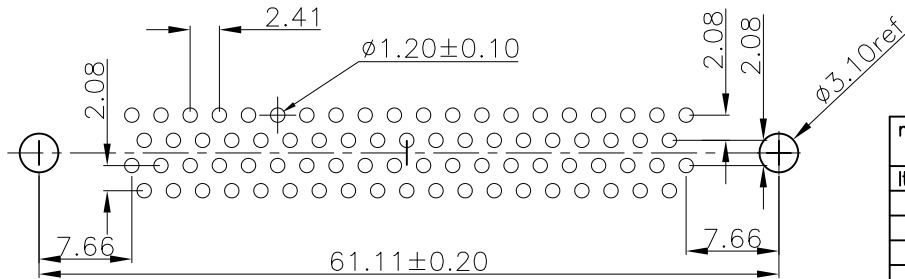
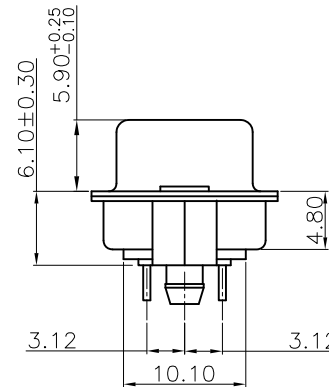
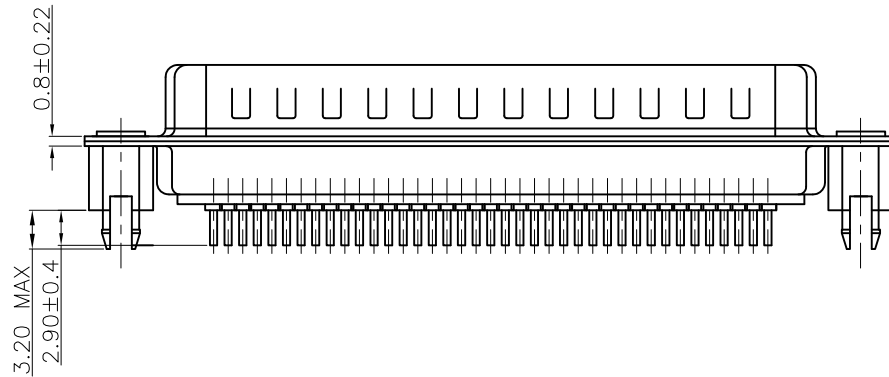
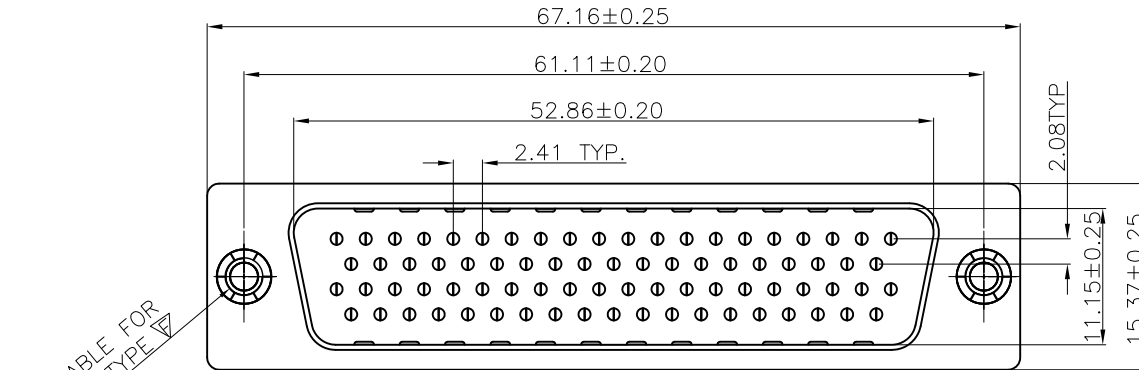
B

1 | 2

mat'l. code				tolerances unless otherwise specified			CUSTOMER COPY		 www.fciconnect.com		
ltr	ecn no	dr	date	linear	.X ± 0.38		projection	title			
B					.XX ± 0.25				H/D D-SUB MALE STRAIGHT PCB		
					.XXX ± 0.10				product family D-SUB		code
				angles	0° ± 2°			size		TWN	
				dr	JASON HSU	10/19/10		MM	D-SUB		sheet
				enrg	JASON HSU	10/19/10	scale	dwg no		3 of 5	
				chr	GARY HSIEH	10/19/10		1:1	10090928		
				appd	JOSEPH HSIA	10/19/10					
sheet index	revision sheet										

B

3 | 4



P.C.B LAYOUT

REMARK:

1. CHARACTERISTICS:

RATED VOLTAGE: 250V
 RATED CURRENT: 2.5AMP
 CONTACT RESISTANCE: 35mohms MAX. INITIAL,
 50mohms MAX. AFTER.
 INSULATION RESISTANCE: 5000Mohms MIN. at 500V DC
 DIELECTRIC STRENGTH: 750VRMS
 OPERATING TEMPERATURE RANGE: -55° C~105° C
 INSERTION/EXTRACTION FORCE PER CONTACT: 5N Max. /0.2N Min.
 MATING/UNMATING CYCLES: 200MATINGS MIN FOR GOLD-FLASH
 500MATINGS MIN FOR 30u" GOLD.

2. MATERIAL:

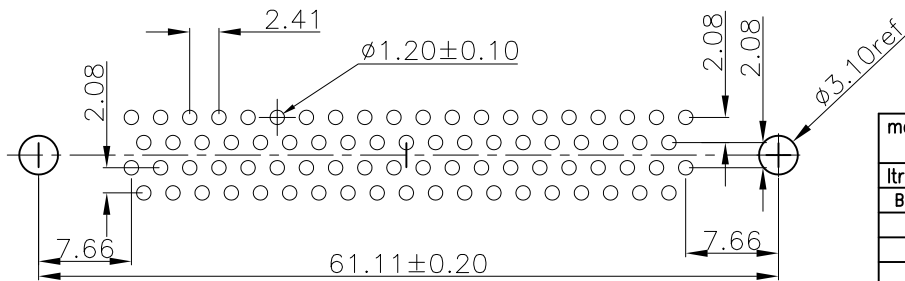
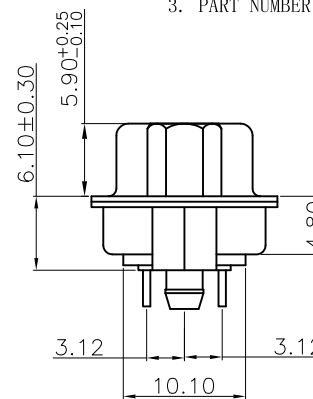
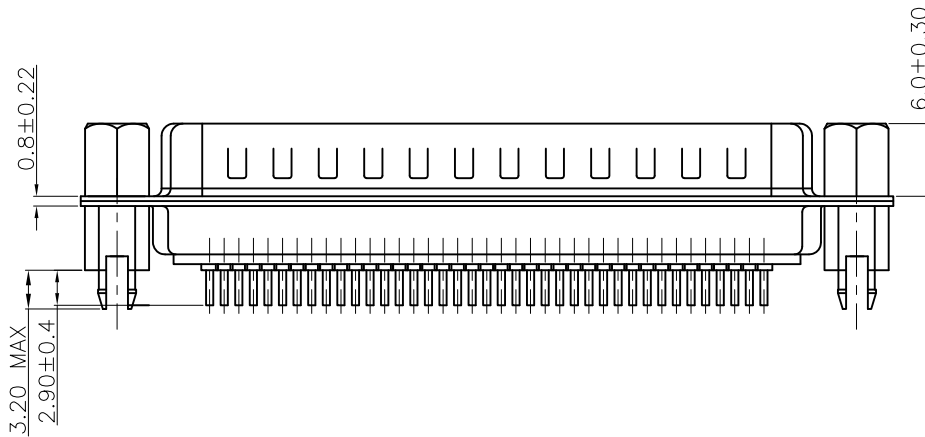
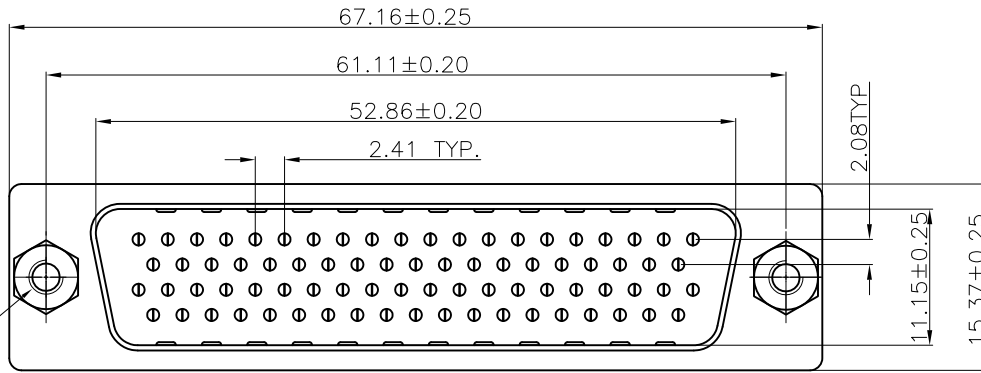
INSULATORS: THERMOPLASTIC G.F (UL94V-0) BLACK
 CONTACTS: COPPER ALLOY, GOLD(G/F or 30u") TOP OVER CONTACT
 AREA, 100u" Min MATTE TIN TOP OVER SOLDER AREA,
 50u" Min NICKEL UNDER PLATE.
 SHELL: CARBON STEEL, 100u" Min NICKEL TOP OVER,
 50u" Min COPPER UNDER PLATE.
 HARPOON: COPPER ALLOY, 100u" Min MATTE TIN PLATED.

3. PART NUMBER DESCRIPTION: 10090928-P XX X X LF

SERIES NO.	LF: ROHS COMPLIANT
TYPE P: PIN (MALE)	FLANGE MOUNTING OPTION X: UNC #4-40 CLINCHNUTS L: M3 CLINCHNUTS
NUMBER OF CONTACTS 78: 78-PIN	CONTACT FINISH 4: FLASH GOLD 6: 30u" GOLD

POS.	PART NO.	THREAD TYPE
78	10090928-P78*LLF	M3X0.5
78	10090928-P78*XLF	UNC #4-40

mat'l. code				tolerances unless otherwise specified			CUSTOMER COPY		FCI www.fciconnect.com	
ltr	ecn no	dr	date	linear	.X ± 0.38	projection		title		
B					.XX ± 0.25			H/D D-SUB MALE STRAIGHT		
					.XXX ± 0.10			product family D-SUB code TWN		
				angles	0° ±2°	MM	scale	size dwg no		
				dr	JASON HSU 10/19/10	1:1	A4	10090928		
				enr	JASON HSU 10/19/10			sheet 4 of 5		
				chr	GARY HSIEH 10/19/10					
				appd	JOSEPH HSIA 10/19/10					
sheet index	revision sheet									



P.C.B LAYOUT

REMARK:

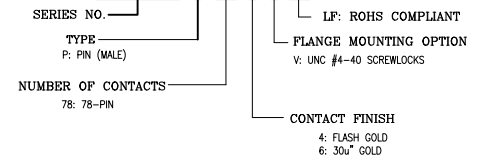
1. CHARACTERISTICS:

RATED VOLTAGE: 250V
 RATED CURRENT: 2.5AMP
 CONTACT RESISTANCE: 35mohms MAX. INITIAL,
 50mohms MAX. AFTER.
 INSULATION RESISTANCE: 5000Mohms MIN. at 500V DC
 DIELECTRIC STRENGTH: 750VRMS
 OPERATING TEMPERATURE RANGE: -55° C~105° C
 INSERTION/EXTRACTION FORCE PER CONTACT: 5N Max. /0.2N Min.
 MATING/UNMATING CYCLES: 200MATINGS MIN FOR GOLD-FLASH
 500MATINGS MIN FOR 30u" GOLD.

2. MATERIAL:

INSULATORS: THERMOPLASTIC G.F(UL94V-0) BLACK
 CONTACTS: COPPER ALLOY, GOLD(G/F or 30u") TOP OVER CONTACT
 AREA, 100u" Min MATTE TIN TOP OVER SOLDER AREA,
 50u" Min NICKEL UNDER PLATE.
 SHELL: CARBON STEEL, 100u" Min NICKEL TOP OVER,
 50u" Min COPPER UNDER PLATE.
 HARPOON: COPPER ALLOY, 100u" Min MATTE TIN PLATED.
 NUT: COPPER ALLOY, 50u" Min NICKEL PLATED.

3. PART NUMBER DESCRIPTION: 10090928-P XX X X LF



PART NO.: 10090928-P78*VLF

mat'l. code				tolerances unless otherwise specified			CUSTOMER COPY		 www.fciconnect.com		
ltr	ecn no	dr	date	linear	.X ± 0.38		projection	title			
B					.XX ± 0.25				H/D D-SUB MALE STRAIGHT		
					.XXX ± 0.10				product family D-SUB		code
				angles	0° ± 2°		 MM scale 1:1	size dwg no		TWN	
				dr	JASON HSU	10/19/10		10090928		sheet	
				enr	JASON HSU	10/19/10				5 of 5	
				chr	GARY HSIEH	10/19/10					
				appd	JOSEPH HSIA	10/19/10					
sheet index	revision sheet										