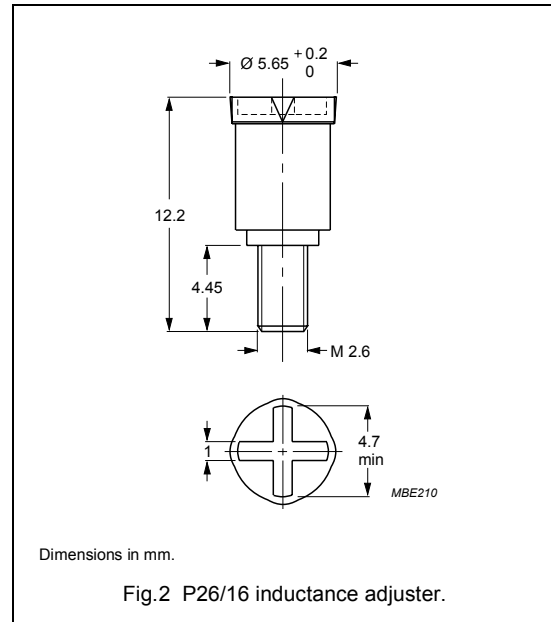


**INDUCTANCE ADJUSTERS**

**General data**

PARAMETER	SPECIFICATION
Material of head and thread	polypropylene (PP), glass fibre reinforced
Maximum operating temperature	125 °C



**Inductance adjuster selection chart <sup>sup</sup> (applies to all types)**

GRADE	A <sub>L</sub> (nH)	TYPES FOR LOW ADJUSTMENT	ΔL/L <sup>(1)</sup>	TYPES FOR MEDIUM ADJUSTMENT	ΔL/L <sup>(1)</sup>	TYPES FOR HIGH ADJUSTMENT	ΔL/L <sup>(1)</sup>
3H3	63	–	–	–	–	ADJ-P26-RED	25
	100	–	–	–	–	ADJ-P26-RED	22
	160	–	–	ADJ-P26-RED	15	–	–
	250	ADJ-P26-RED	10	–	–	ADJ-P26-BROWN	23
	315	ADJ-P26-RED	8	–	–	ADJ-P26-BROWN	18
	400	ADJ-P26-RED	6	ADJ-P26-BROWN	13	ADJ-P26-GREY	25
	630	ADJ-P26-BROWN	8	ADJ-P26-GREY	16	–	–
	1000	ADJ-P26-BROWN	5	ADJ-P26-GREY	9	–	–
3D3	1600	–	–	ADJ-P26-GREY	5	–	–
	100	–	–	–	–	ADJ-P26-RED	21
	160	–	–	ADJ-P26-RED	14	–	–
	250	ADJ-P26-RED	9	–	–	ADJ-P26-GREY	35
	400	–	8	ADJ-P26-GREY	17	–	–

**Note**

1. Maximum adjustment range.