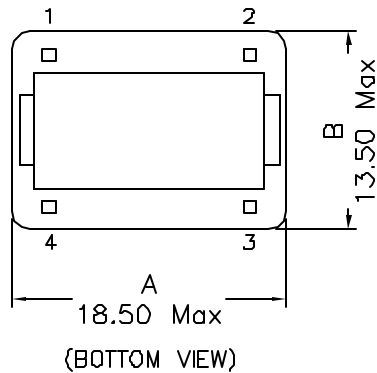
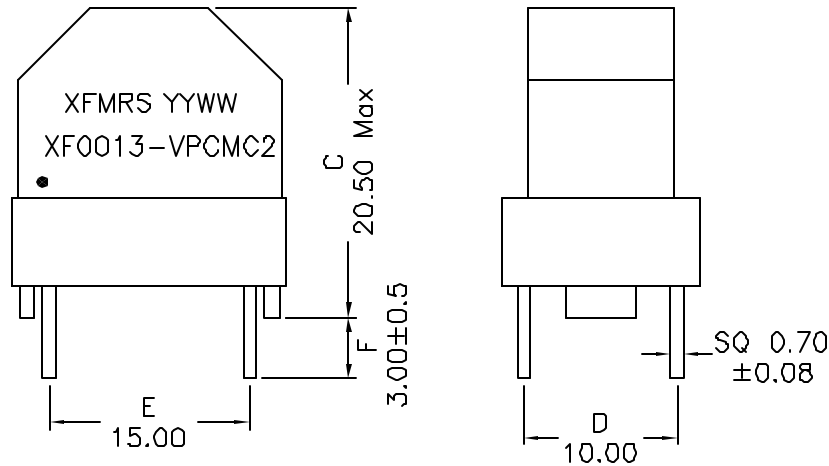


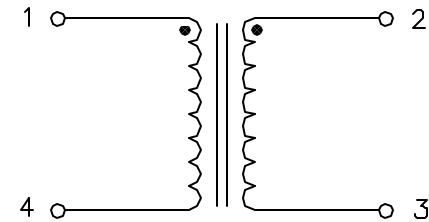
### 1. Mechanical Dimensions:



**Notes:**

1. Solderability: Leads shall meet MIL-STD-202G, Method 208H for solderability.
2. Flammability: UL94V-0
3. ASTM oxygen index: > 28%
4. Insulation System: Class F 155°C. UL file E151556
5. Operating Temperature Range: All listed parameters are to be within tolerance from -40°C to +85°C
6. Storage Temperature Range: -55°C to +125°C
7. Aqueous wash compatible
8. Electrical and mechanical specifications 100% tested
9. RoHS Compliant Component

### 2. Schematic:



### 3. Electrical Specifications:

OCL: 1.0mH ±30% @10KHz 0.1V, Each Wdg  
 LL: 13.0uH Typ @10KHz 0.1V  
 DCR: 0.090 Ohms Typ each Wdg  
 Irated: 2.0Arms  
 Isolation: 1500Vac, Wdg to Wdg, 2Sec  
 Rated Voltage: 250Vac

DOC REV: A/3

**PROPRIETARY** Document is the property of XFMR5 Group & is not allowed to be duplicated without authorization.

<b>XFMR5 Inc</b> www.XFMR5.com	Title: Common Mode Choke		
	UNLESS OTHERWISE SPECIFIED TOLERANCES: .xx ±0.25 Dimensions in MM	P/N: XF0013-VPCMC2	REV. A
SHEET 1 OF 1	DWN.	Juan Mao	Apr-02-08
	CHK.	YK Liao	Apr-02-08
	APP.	BW	Apr-02-08