

## Series BoardFit4.2 - Power Connectors Male Cable Power Connector 4.20mm Pitch (Single & Dual Row)

### Specifications

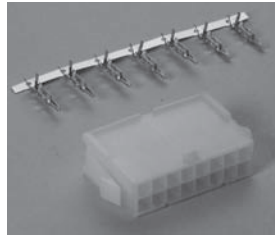
Insulation Resistance: 1,000MΩ min.  
 Withstanding Voltage: 1,500V ACrms for 1 minute  
 Contact Resistance: 10mΩ max.  
 Voltage Rating: 600V AC/DC  
 Current Rating: 9A AC/DC  
 Operating Temp. Range: -40°C to +105°C

### Materials and Finish

Insulator: Nylon66, UL94V-2 rated  
 Contact: Brass, Tin Plated  
 Crimp Terminals: Brass, Tin Plated

### Features

- Designed for high current/high density applications
- For wire-to-wire and wire-to-board applications
- Fully insulated terminals
- Low engagement terminals
- Locking function



### Part Number (Details)

**P4CP - 4 \* - C1 - LL - B**

Series

Pin Count

S = Single Row (3 to 6)  
 D = Dual Row (2 to 24)

C1 = 180° Crimp

Plating: Mating / Termination Area  
 LL = Tin / Tin

B = Bulk Packaging

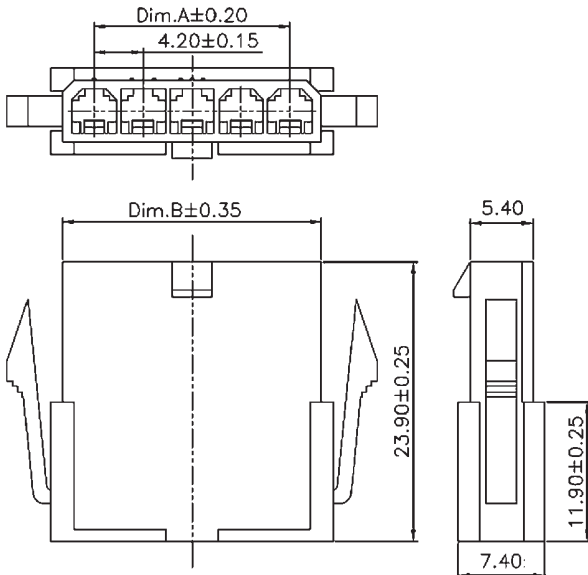
### Part Number for Crimp Contacts

**P4CP-Contact - \***

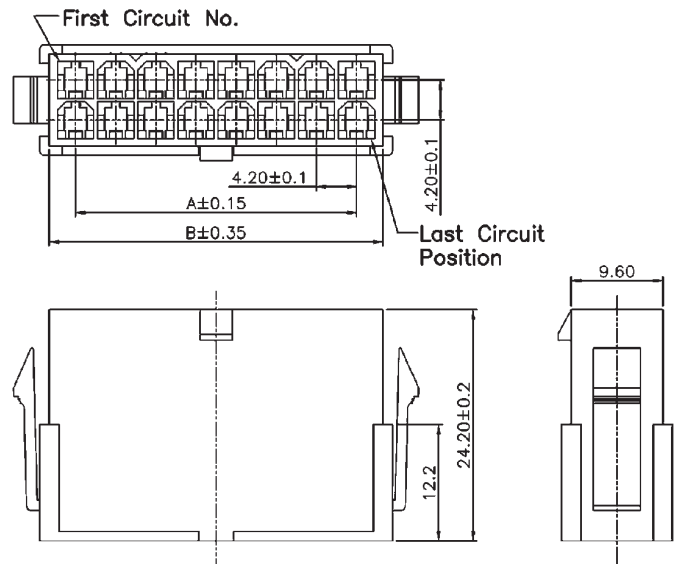
Wire gauge

- 1 = AWG 24-26 Brass
- 2 = AWG16-22 Brass
- 3 = AWG 24-26 Phosphor Bronze
- 4 = AWG 16-22 Phosphor Bronze

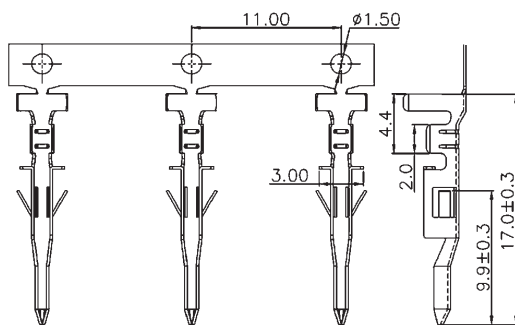
### Outline Dimensions Single Row



### Outline Dimensions Dual Row



### Outline Dimensions Crimp Contacts



### Single Row

Part Number	Pin Count	A	B
P4CP-3S-C1-LL-B	3	8.40	13.80
P4CP-4S-C1-LL-B	4	12.60	18.00
P4CP-5S-C1-LL-B	5	16.80	22.20
P4CP-6S-C1-LL-B	6	21.00	26.40

### Dual Row

Part Number	Pin Count	A	B
P4CP-2D-C1-LL-B	2	-	5.50
P4CP-4D-C1-LL-B	4	4.20	9.70
P4CP-6D-C1-LL-B	6	8.40	13.90
P4CP-8D-C1-LL-B	8	12.60	18.10
P4CP-10D-C1-LL-B	10	16.80	22.30
P4CP-12D-C1-LL-B	12	21.00	26.50
P4CP-14-D-C1-LL-B	14	25.20	30.70
P4CP-16-D-C1-LL-B	16	29.40	34.90
P4CP-18-D-C1-LL-B	18	33.60	39.10
P4CP-20-D-C1-LL-B	20	37.80	43.30
P4CP-22-D-C1-LL-B	22	42.00	47.50
P4CP-24-D-C1-LL-B	24	46.20	51.70

B-t-B and B-t-C, Power Connectors

### Specifications

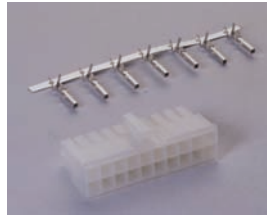
Insulation Resistance: 1,000MΩ min.  
 Withstanding Voltage: 1,500V ACrms for 1 minute  
 Contact Resistance: 10mΩ max.  
 Voltage Rating: 600V AC/DC  
 Current Rating: 9A AC/DC  
 Operating Temp. Range: -40°C to +105°C

### Materials and Finish

Insulator: Nylon66, UL94V-2 rated  
 Contact: Brass, Tin Plated  
 Crimp Terminals: Brass, Tin Plated

### Features

- Designed for high current/high density applications
- For wire-to-wire and wire-to-board applications
- Fully insulated terminals
- Low engagement terminals
- Locking function



### Part Number (Details)

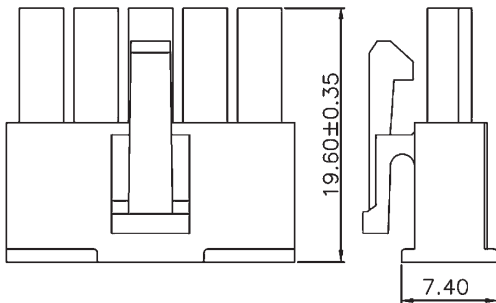
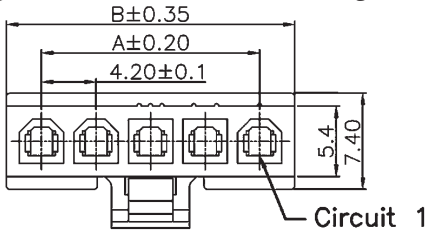
**P4CS - 4 \* - C1 - LL - B**

Series: P4CS  
 Pin Count: 4  
 S = Single Row (3 to 6)  
 D = Dual Row (2 to 24)  
 C1 = 180° Crimp  
 Plating: Mating / Termination Area  
 LL = Tin / Tin  
 B = Bulk Packaging

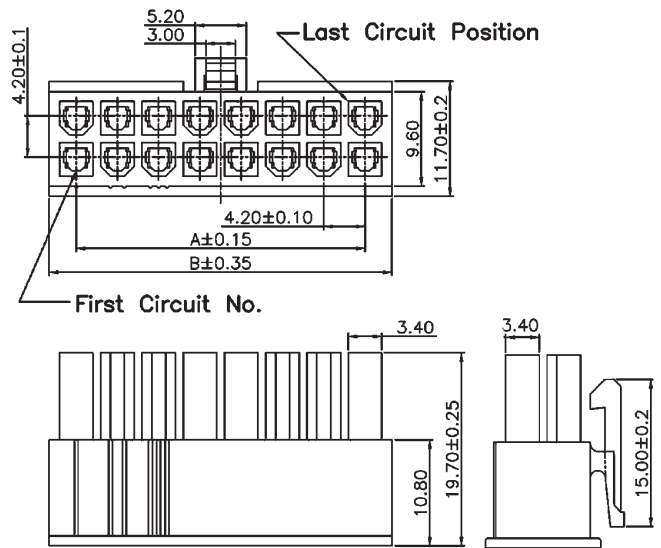
### Part Number for Crimp Contacts

**P4CS-Contact - \***  
 Wire gauge  
 1 = AWG 24-26  
 2 = AWG16-22

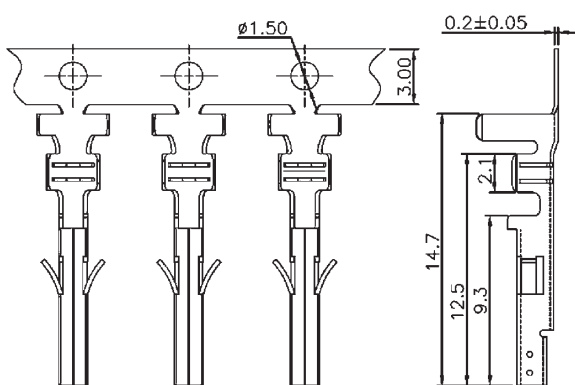
### Outline Dimensions Single Row



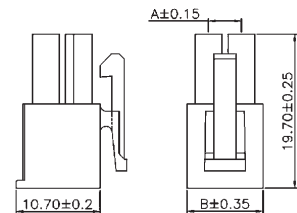
### Outline Dimensions Dual Row



### Outline Dimensions Crimp Contacts



Details for 2 and 4 pins



### Dual Row

Part Number	Pin Count	A	B
P4CS-2D-C1-LL-B	2	-	5.50
P4CS-4D-C1-LL-B	4	4.20	9.70
P4CS-6D-C1-LL-B	6	8.40	13.90
P4CS-8D-C1-LL-B	8	12.60	18.10
P4CS-10D-C1-LL-B	10	16.80	22.30
P4CS-12D-C1-LL-B	12	21.00	26.50
P4CS-14D-C1-LL-B	14	25.20	30.70
P4CS-16D-C1-LL-B	16	29.40	34.90
P4CS-18D-C1-LL-B	18	33.60	39.10
P4CS-20D-C1-LL-B	20	37.80	43.30
P4CS-22D-C1-LL-B	22	42.00	47.50
P4CS-24D-C1-LL-B	24	46.20	51.70

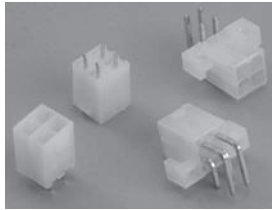
### Single Row

Part Number	Pin Count	A	B
P4CS-3S-C1-LL-B	3	8.40	13.80
P4CS-4S-C1-LL-B	4	12.60	18.00
P4CS-5S-C1-LL-B	5	16.80	22.20
P4CS-6S-C1-LL-B	6	21.00	26.40

## Series BoardFit4.2 - Power Connectors 180° and 90° Male Header 4.20mm Pitch (Dual Row) TH

### Specifications

Insulation Resistance: 1,000MΩ min.  
 Withstanding Voltage: 1,500V ACrms for 1 minute  
 Contact Resistance: 10mΩ max.  
 Voltage Rating: 600V AC/DC  
 Current Rating: 9A AC/DC  
 Operating Temp. Range: -40°C to +105°C



### Materials and Finish

Insulator: Nylon66, UL94V-2 rated  
 Contact: Brass, Tin Plated

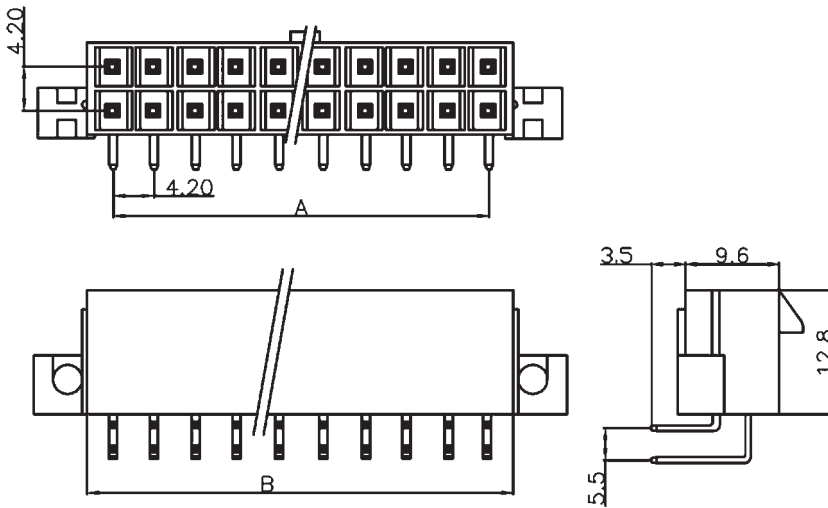
- Designed for high current/high density applications
- For wire-to-wire and wire-to-board applications
- Fully insulated terminals
- Low engagement terminals
- Locking function

### Part Number (Details)

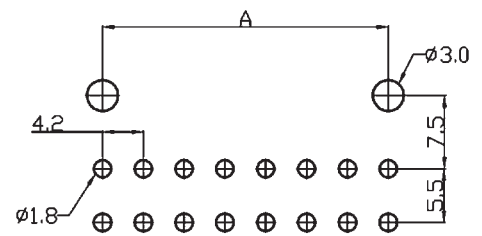
**P4BP - 4 - T\* - LL - B**

Series	P4BP
Pin Count (2 to 24)	4
T1 = 180° T9 = 90°	T*
Plating: Mating / Termination Area	LL
LL = Tin / Tin	
B = Bulk Packaging	B

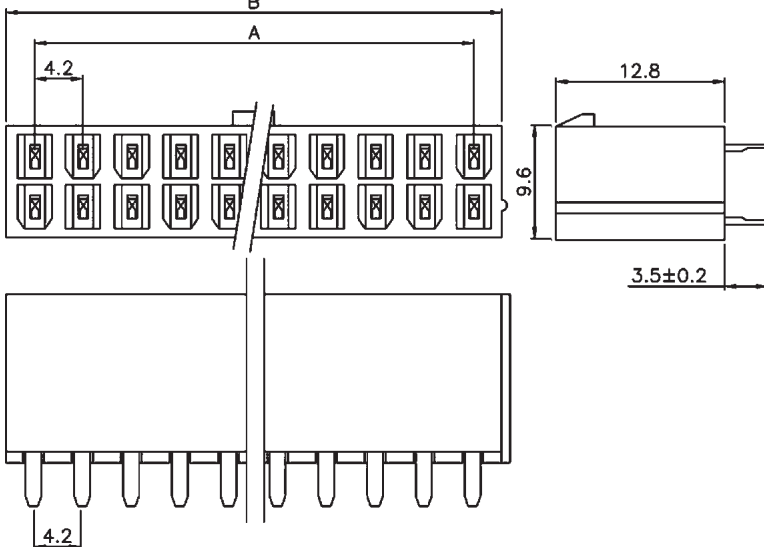
### Outline Dimensions 90° Dual Row



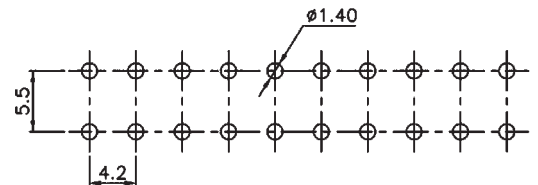
### PCB Layout



### Outline Dimensions 180° Dual Row



### PCB Layout



Part Number	Pin Count	A	B
P4BP-2-T*-LL-B	2	-	5.50
P4BP-4-T*-LL-B	4	4.20	9.70
P4BP-6-T*-LL-B	6	8.40	13.90
P4BP-8-T*-LL-B	8	12.60	18.10
P4BP-10-T*-LL-B	10	16.80	22.30
P4BP-12-T*-LL-B	12	21.00	26.50

Part Number	Pin Count	A	B
P4BP-14-T*-LL-B	14	25.20	30.70
P4BP-16-T*-LL-B	16	29.40	34.90
P4BP-18-T*-LL-B	18	33.60	39.10
P4BP-20-T*-LL-B	20	37.80	43.50
P4BP-22-T*-LL-B	22	42.00	47.50
P4BP-24-T*-LL-B	24	46.20	51.70

B-t-B and B-t-C, Power Connectors