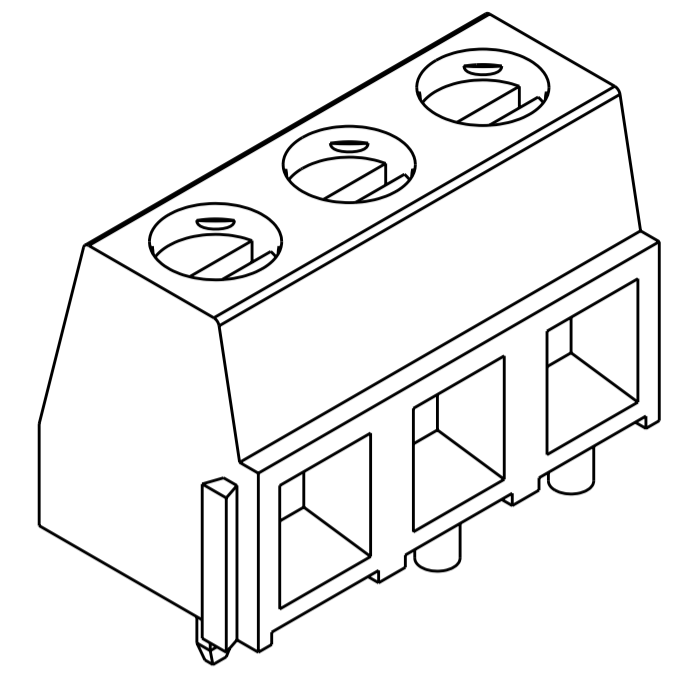
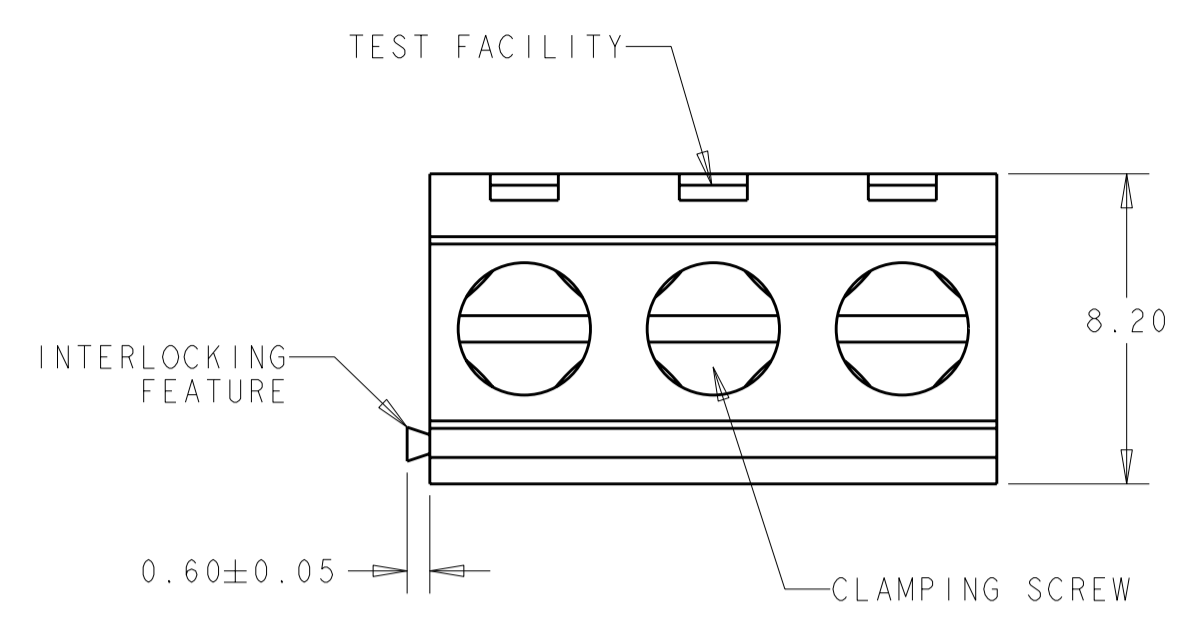
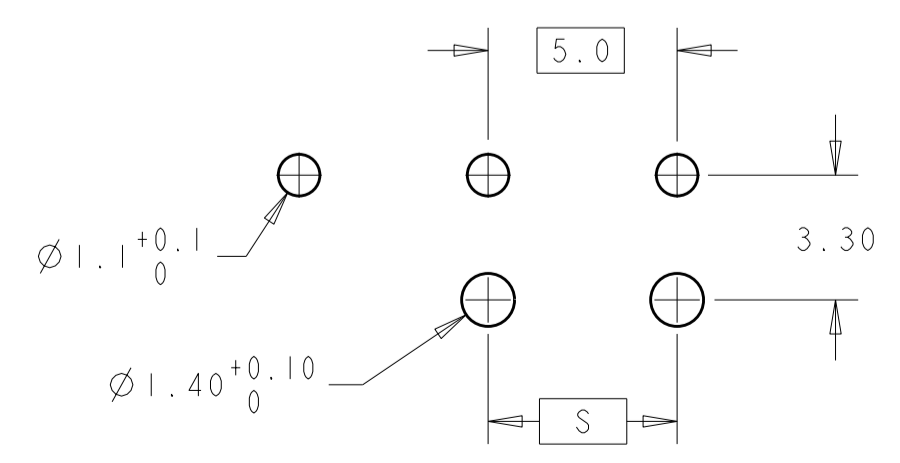
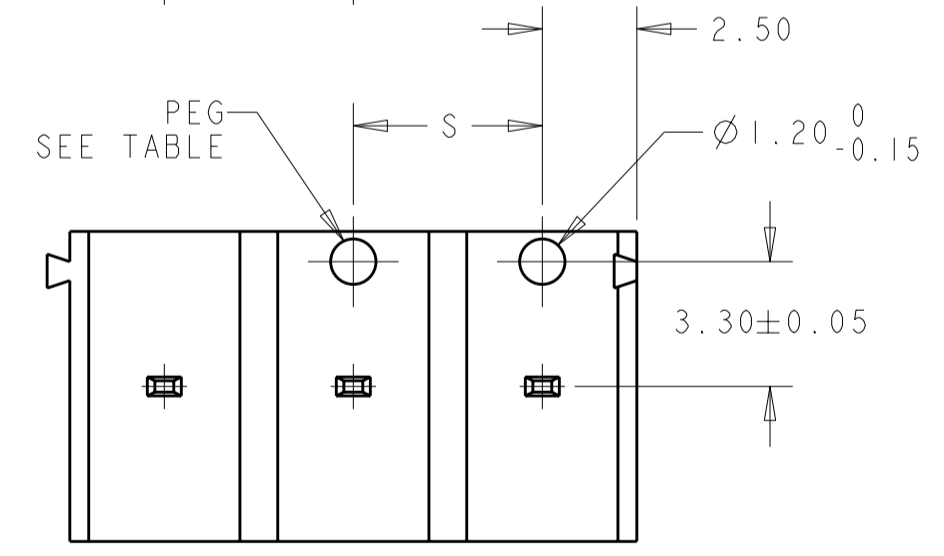
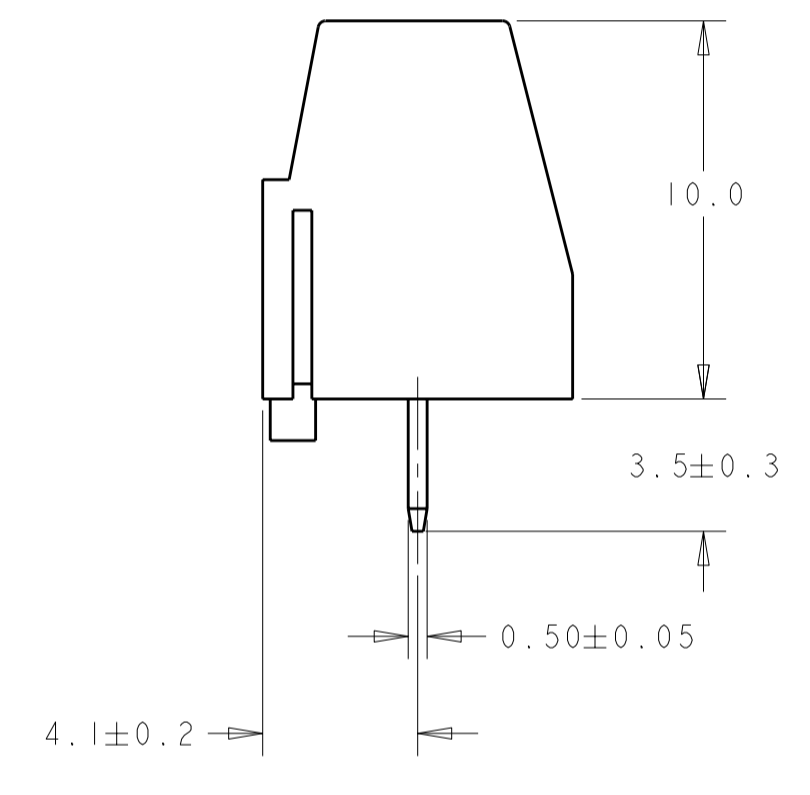
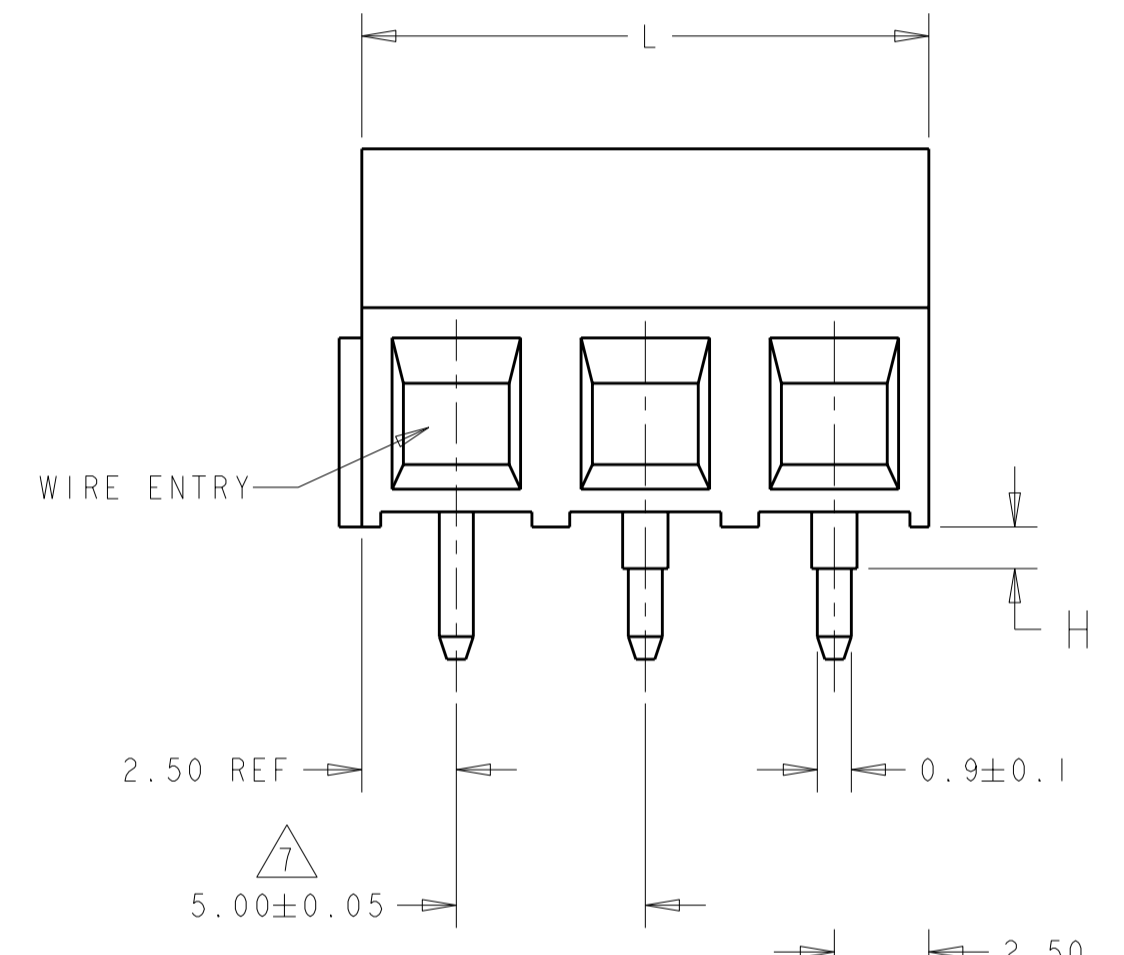


THIS DRAWING IS UNPUBLISHED. RELEASED FOR PUBLICATION 20
 © COPYRIGHT 20 BY TYCO ELECTRONICS CORPORATION. ALL RIGHTS RESERVED.

| LOC | | DIST | | REVISIONS | | | |
|-----|-----|---------------------------|--|-----------|-----|------|--|
| P | LTR | DESCRIPTION | | DATE | DWN | APVD | |
| | H7 | REVISED PER ECO-09-021031 | | 15SEP2009 | HMR | CR | |



SEE SHEET 2



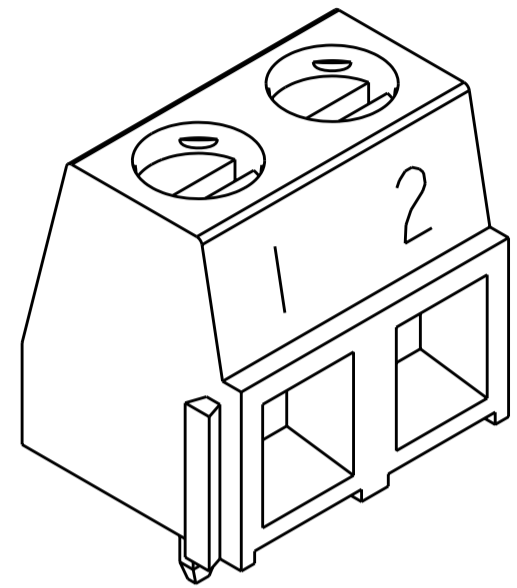
RECOMMENDED PC BOARD LAYOUT

| QTY | S | H | MARKING | L | NO OF POSN | PART NUMBER |
|-----|-----|-----|-------------|-----|------------|-------------|
| 1 | N/A | 3.5 | SEE SHEET 2 | 15 | 3 | 3-282836-5 |
| 1 | N/A | 3.5 | - | 30 | 6 | 3-282836-4 |
| 1 | N/A | 3.5 | - | 25 | 5 | 3-282836-3 |
| 1 | N/A | 3.5 | - | 20 | 4 | 3-282836-2 |
| 1 | N/A | 3.5 | - | 10 | 2 | 3-282836-1 |
| 1 | N/A | 3.5 | - | 40 | 8 | 3-282836-0 |
| 1 | N/A | 3.5 | - | 45 | 9 | 2-282836-8 |
| 0 | N/A | N/A | SEE SHEET 2 | 30 | 6 | 2-282836-7 |
| 0 | N/A | N/A | - | 125 | 25 | 2-282836-6 |
| 0 | N/A | N/A | - | 120 | 24 | 2-282836-5 |
| 0 | N/A | N/A | - | 115 | 23 | 2-282836-4 |
| 0 | N/A | N/A | - | 110 | 22 | 2-282836-3 |
| 0 | N/A | N/A | - | 105 | 21 | 2-282836-2 |
| 0 | N/A | N/A | - | 100 | 20 | 2-282836-1 |
| 0 | N/A | N/A | - | 95 | 19 | 2-282836-0 |
| 0 | N/A | N/A | - | 90 | 18 | 1-282836-9 |
| 0 | N/A | N/A | - | 85 | 17 | 1-282836-8 |
| 0 | N/A | N/A | - | 80 | 16 | 1-282836-7 |
| 0 | N/A | N/A | - | 75 | 15 | 1-282836-6 |
| 0 | N/A | N/A | - | 70 | 14 | 1-282836-5 |
| 0 | N/A | N/A | - | 65 | 13 | 1-282836-4 |
| 0 | N/A | N/A | SEE SHEET 2 | 10 | 2 | 1-282836-3 |
| 0 | N/A | N/A | - | 60 | 12 | 1-282836-2 |
| 0 | N/A | N/A | - | 55 | 11 | 1-282836-1 |
| 0 | N/A | N/A | - | 50 | 10 | 1-282836-0 |
| 0 | N/A | N/A | - | 45 | 9 | 282836-9 |
| 0 | N/A | N/A | - | 40 | 8 | 282836-8 |
| 0 | N/A | N/A | - | 35 | 7 | 282836-7 |
| 0 | N/A | N/A | - | 30 | 6 | 282836-6 |
| 0 | N/A | N/A | - | 25 | 5 | 282836-5 |
| 0 | N/A | N/A | - | 20 | 4 | 282836-4 |
| 0 | N/A | N/A | - | 15 | 3 | 282836-3 |
| 0 | N/A | N/A | - | 10 | 2 | 282836-2 |
| 2 | 5.0 | 1.1 | - | 10 | 2 | 282836-1 |

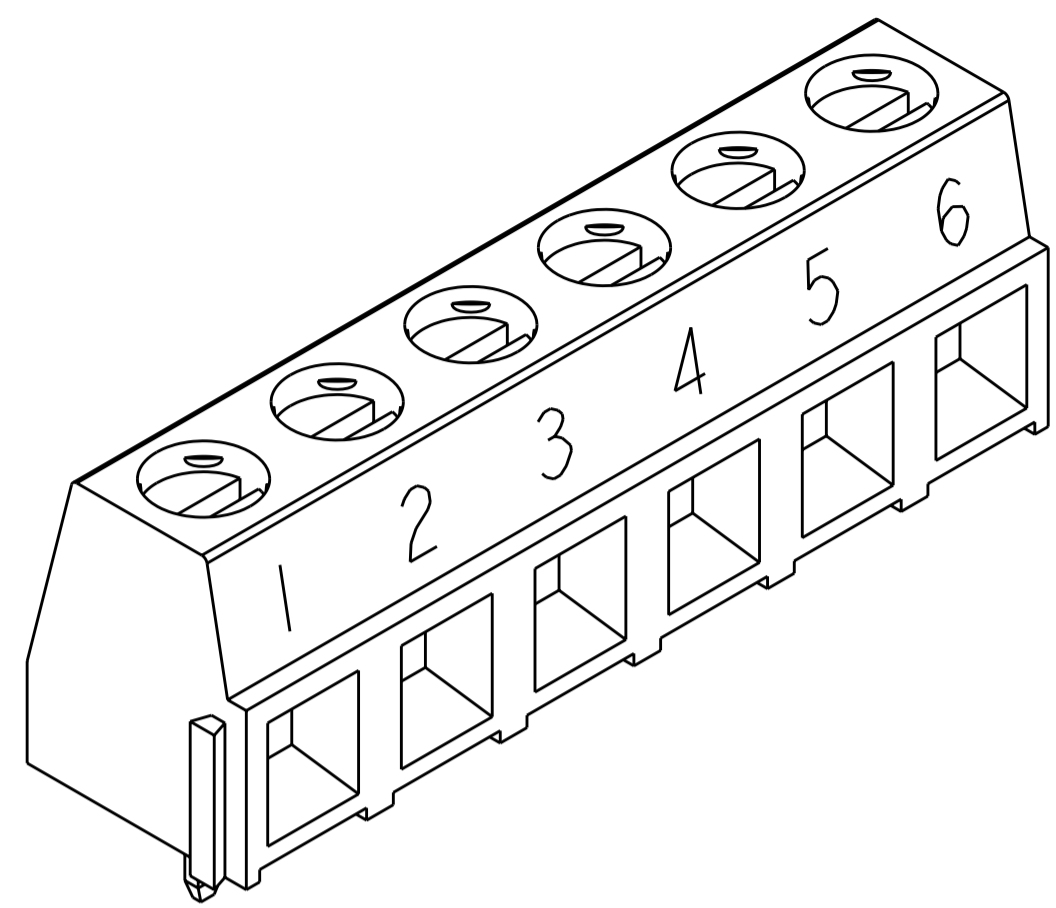
| | | | | | |
|--|--|---|--|--|--|
| THIS DRAWING IS A CONTROLLED DOCUMENT FOR TYCO ELECTRONICS CORPORATION IT IS SUBJECT TO CHANGE AND THE CONTROLLING ENGINEERING ORGANIZATION SHOULD BE CONTACTED FOR THE LATEST REVISION. | | DWN S. WELDON 28SEP2007 CHK C. RICHARD 28SEP2007 APVD C. RICHARD 28SEP2007 | | Tyco Electronics Harrisburg, PA 17105-3608 | |
| DIMENSIONS: mm | | TOLERANCES UNLESS OTHERWISE SPECIFIED: 0 PLC ± 1 PLC ±0.2 2 PLC ±0.15 3 PLC ±0.000 4 PLC ±0.0000 ANGLES ±2° FINISH | | NAME PRODUCT SPEC APPLICATION SPEC WEIGHT CUSTOMER DRAWING | |
| MATERIAL | | SCALE 2:1 | | SHEET 1 OF 2 REV. H7 | |

THIS DRAWING IS UNPUBLISHED. RELEASED FOR PUBLICATION 20
 © COPYRIGHT 20 BY TYCO ELECTRONICS CORPORATION. ALL RIGHTS RESERVED.

| LOC | DIST | REVISIONS | | | |
|-----|------|-------------|------|-----|------|
| P | LTR | DESCRIPTION | DATE | DWN | APVD |
| FT | 0 | SEE SHEET 1 | - | - | - |

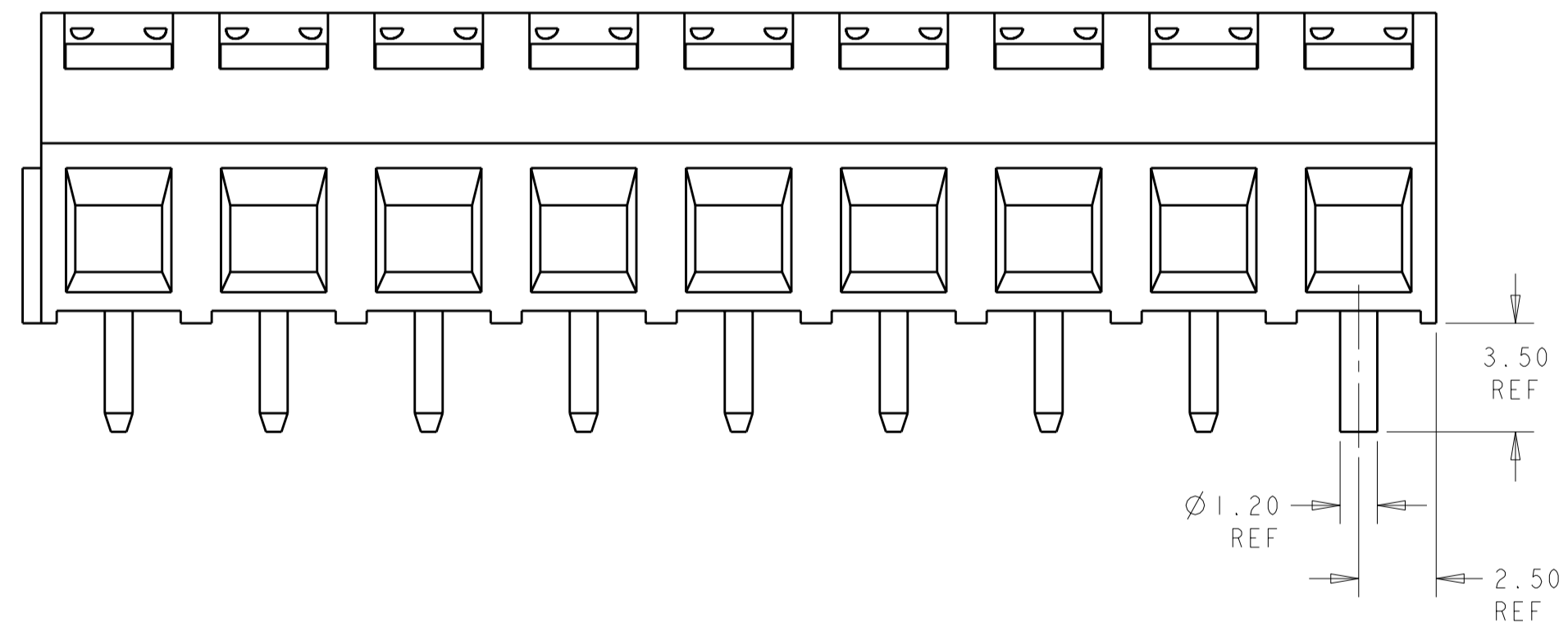


1-282836-3 AS SHOWN

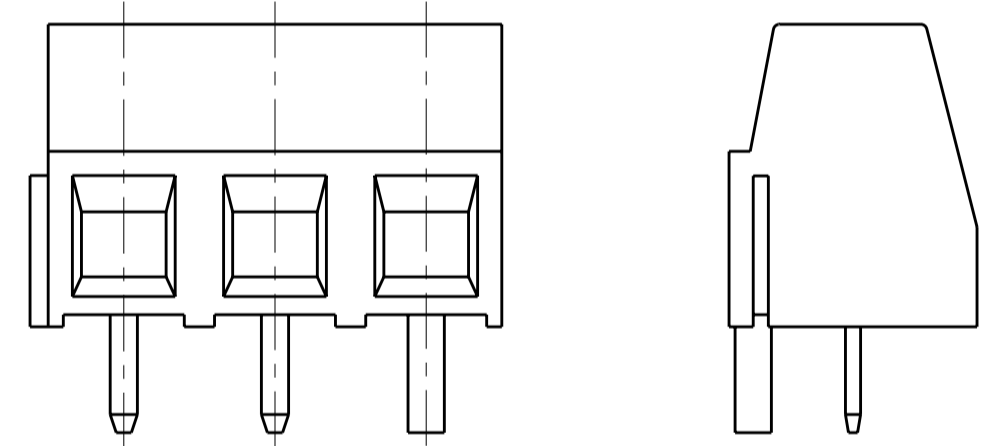
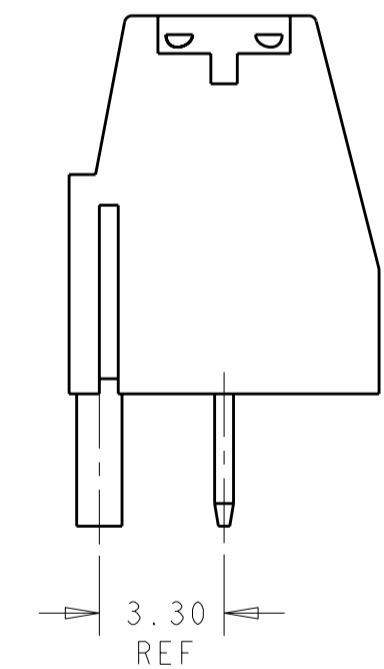


2-282836-7 AS SHOWN

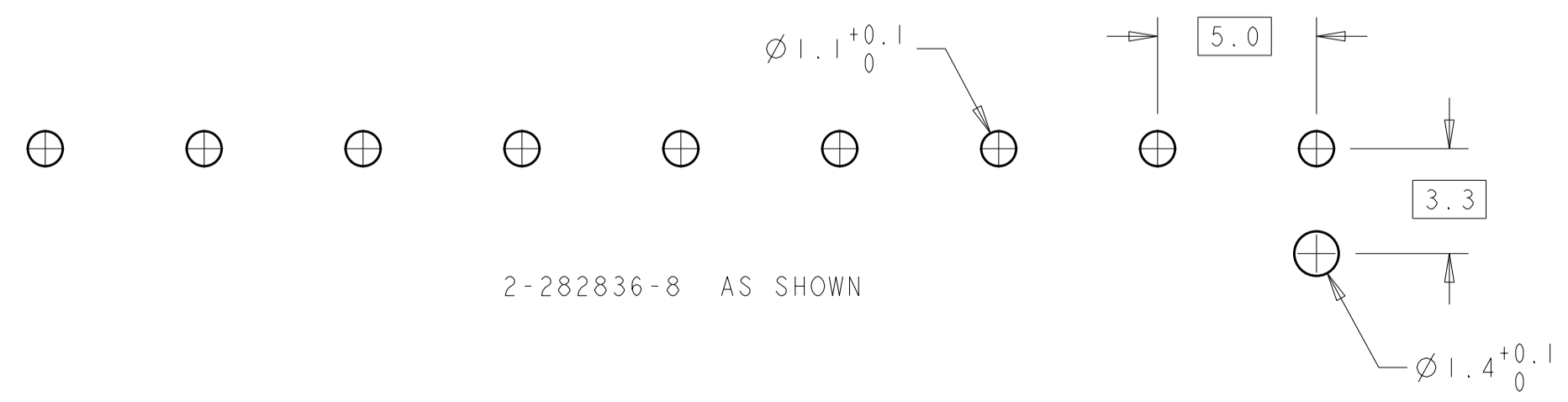
- 1. MATERIAL AND FINISH
 HOUSING: PA 6-6, U; 94V-0 RATED, COLOR: GREEN.
 CLAMP: BRASS, NICKEL PLATED.
 TERMINAL: BRASS, TIN PLATED.
 CLAMPING SCREW: M3, BRASS, NICKEL PLATED.
- 2. SUITABLE FOR 1.6-2.4mm PC BOARD THICKNESS.
- 3. END-TO-END STACKABLE W/INTERLOCK WITHOUT LOSS OF CENTERLINE SPACING.
- 4. WIRE SIZE RANGE: 16-30 AWG
- 5. RECOGNIZED UNDER THE COMPONENT PROGRAM OF UNDERWRITERS LABORATORIES INC. FILE No E60677.
- 6. IMQ CERTIFICATE WITH SURVEILLANCE IN CONFORMITY WITH IEC 998-1/998-1-1.
- 7. NOT CUMULATIVE TOLERANCE.
- 8. INK MARKING, WHITE COLOR, UNLESS OTHERWISE SPECIFIED. NUMERICAL SEQUENCE FROM LEFT TO RIGHT, UNLESS OTHERWISE SPECIFIED.



2-282836-8 AS SHOWN



3-282836-5 AS SHOWN



| | | | |
|--|--|--|---|
| <small>THIS DRAWING IS A CONTROLLED DOCUMENT FOR TYCO ELECTRONICS CORPORATION. IT IS SUBJECT TO CHANGE AND THE CONTROLLING ENGINEERING ORGANIZATION SHOULD BE CONTACTED FOR THE LATEST REVISION.</small> | | DWN S. WELDON 28SEP2007 CHK C. RICHARD 28SEP2007 APVD C. RICHARD 28SEP2007 | Tyco Electronics Harrisburg, PA 17105-3608 |
| DIMENSIONS: mm | TOLERANCES UNLESS OTHERWISE SPECIFIED: 0 PLC ± 1 PLC ±0.2 2 PLC ±0.15 3 PLC ±0.000 4 PLC ±0.000 ANGLES FINISH | PRODUCT SPEC APPLICATION SPEC | NAME TERMINAL BLOCK, PCB MOUNT, SIDE WIRE ENTRY, STACKING WITH INTERLOCK, 5.00mm PITCH |
| MATERIAL | | WEIGHT | SIZE CAGE CODE DRAWING NO RESTRICTED TO |
| | | | A200779C-282836 - |
| CUSTOMER DRAWING | | SCALE 5:1 | SHEET 2 OF 2 REV. H7 |