



Product Features:

- 10BASE-T Ethernet RJ45
- IEEE802.3i Compliant
- 100% Compliance Testing
- 1500Vrms Hi-Pot
- Proprietary Robust Contact Design
- 30µ" Gold Plating on Contacts

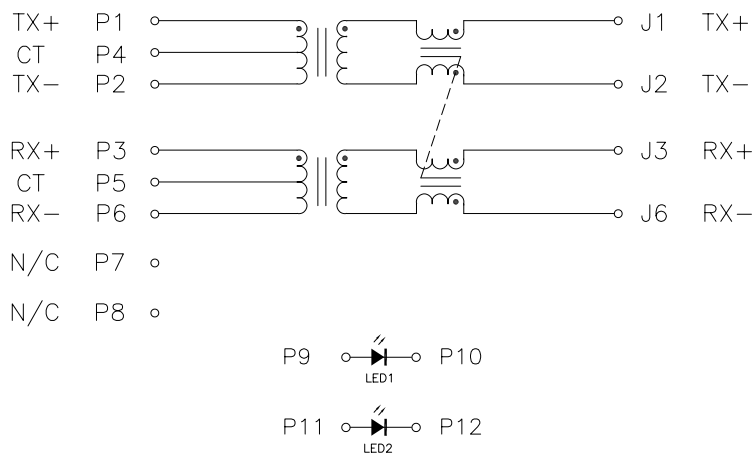
Part Number (0 to 70°C)	Circuit	LED's (L/R)	Turns Ratio (± 3%)		Return Loss 5-10MHz	OCL (100kHz, 0.1Vrms)		Crosstalk (0.1-10MHz)
			TX	RX		TX	RX	
HFJT1-1041RL	A	None	1CT:2.5	1CT:1	-15dB	35µH	200µH	-40dB
HFJT1-1041-L11RL	A	G/G	1CT:2.5	1CT:1	-15dB	35µH	200µH	-40dB
HFJT1-1041-L12RL	A	G/Y	1CT:2.5	1CT:1	-15dB	35µH	200µH	-40dB
HFJT1-1041-L21RL	A	Y/G	1CT:2.5	1CT:1	-15dB	35µH	200µH	-40dB
HFJT1-1043RL	A	None	1CT:1.41	1CT:1	-15dB	140µH	140µH	-40dB
HFJT1-1043-L11RL	A	G/G	1CT:1.41	1CT:1	-15dB	140µH	140µH	-40dB
HFJT1-1043-L12RL	A	G/Y	1CT:1.41	1CT:1	-15dB	140µH	140µH	-40dB
HFJT1-1043-L21RL	A	Y/G	1CT:1.41	1CT:1	-15dB	140µH	140µH	-40dB
HFJT1-1075RL	A	None	1CT:2	1CT:1	-15dB	25µH	140µH	-40dB
HFJT1-1075-L11RL	A	G/G	1CT:2	1CT:1	-15dB	25µH	140µH	-40dB
HFJT1-1075-L12RL	A	G/Y	1CT:2	1CT:1	-15dB	25µH	140µH	-40dB
HFJT1-1075-L21RL	A	Y/G	1CT:2	1CT:1	-15dB	25µH	140µH	-40dB
HFJT1-1081RL	A	None	1CT:1	1CT:1	-15dB	100µH	100µH	-40dB
HFJT1-1081-L11RL	A	G/G	1CT:1	1CT:1	-15dB	100µH	100µH	-40dB
HFJT1-1081-L12RL	A	G/Y	1CT:1	1CT:1	-15dB	100µH	100µH	-40dB
HFJT1-1081-L21RL	A	Y/G	1CT:1	1CT:1	-15dB	100µH	100µH	-40dB

Notes:

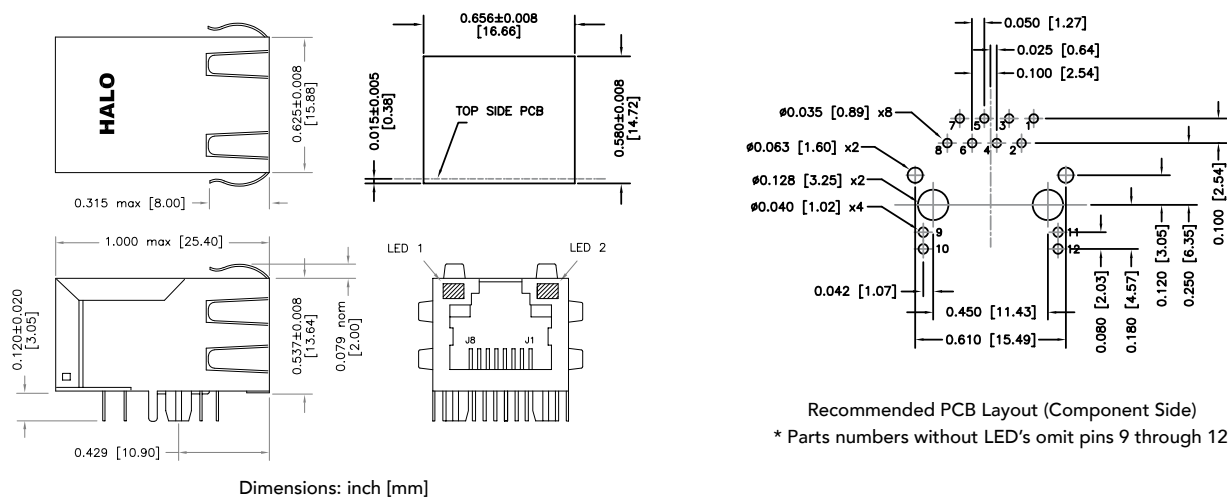
1. LED Key : G = Green, Y = Yellow
2. Other LED colors, bi-colors, polarities, and current limiting versions available
3. Unshielded and without ground shield tabs available
4. Part specific datasheets available
5. Lightning strike and power line cross circuit protection versions available
6. Extended temperature available
7. Tab-Down versions available
8. 1x2 and 1x4 ganged Fastjacks available
9. Additional turns ratios available

HALO 10BASE-T Ethernet Family of FastJacks

Circuit



Mechanical



HALO
ELECTRONICS, INC.

2880 Lakeside Drive #116
Santa Clara, CA 95054
(650) 903-3800
www.haloelectronics.com

HALO® Electronics is a leading supplier of high quality communication magnetics including signal transformers, filters, CMR chokes, PoE power transformers, DC/DC converters, and integrated Ethernet connectors. HALO's leading edge technology solutions are manufactured in ISO9001 and ISO14001 factories offering high quality products at a competitive price.