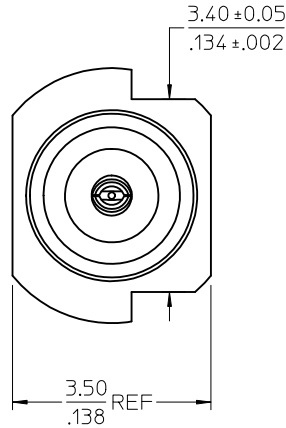
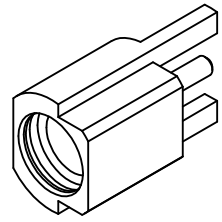


MATERIALS AND FINISHES:

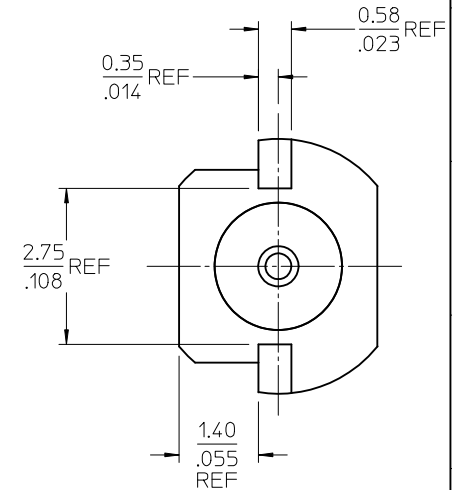
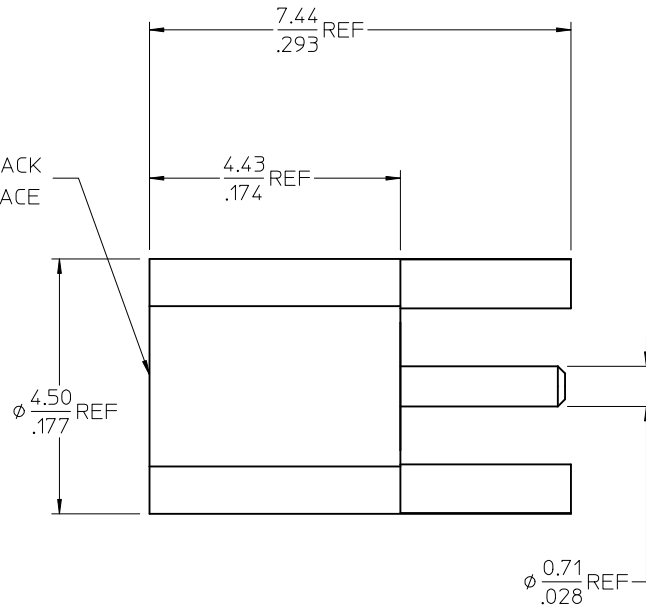
BODY BRASS
PLATED GOLD

CONTACT BERYLLIUM COPPER
PLATED GOLD

INSULATOR TEFLON



MMCX JACK
INTERFACE

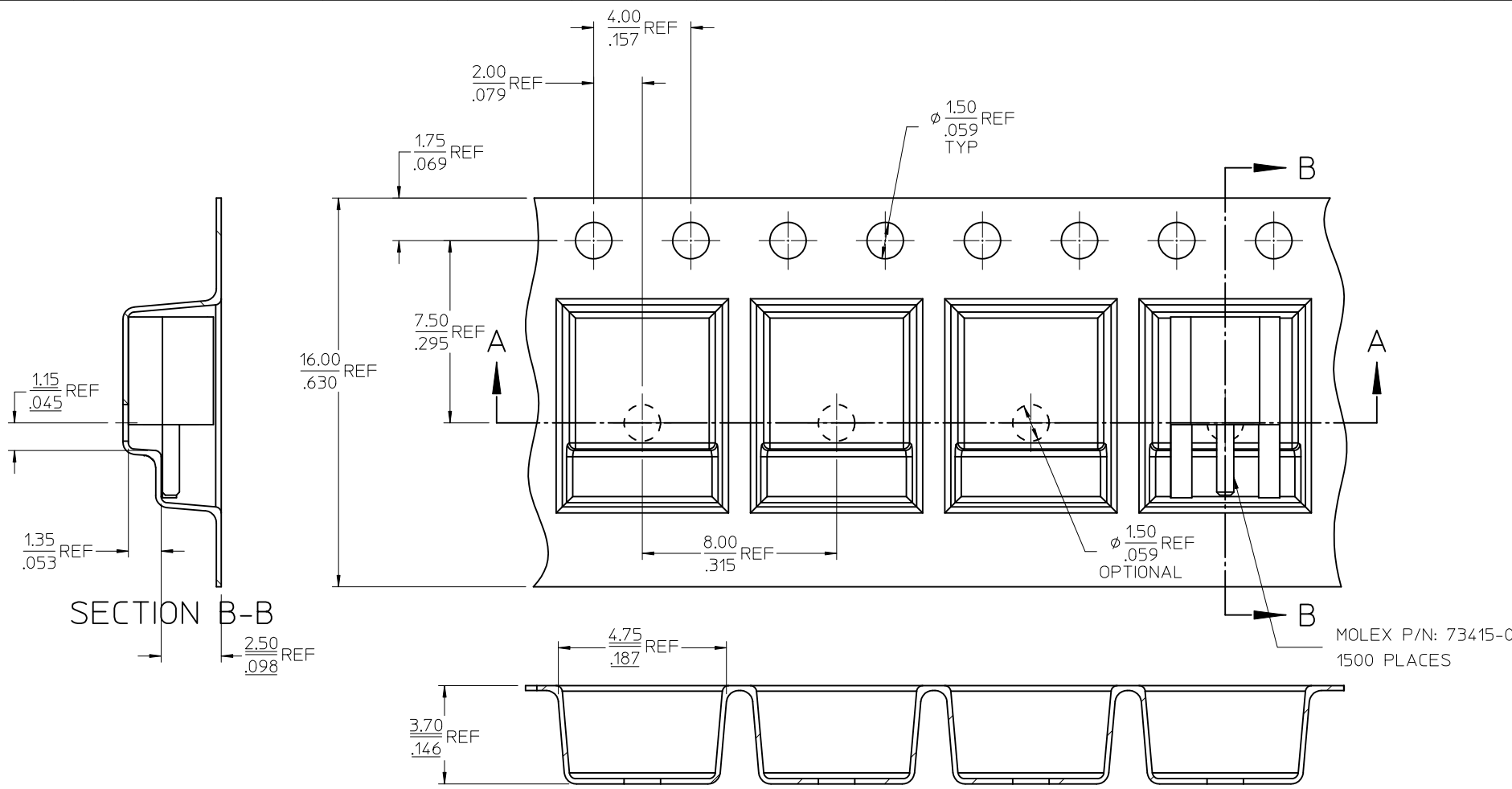


FOR PCB LAYOUT SEE SHEET 4

REEL SIZE FOR TAPE AND REEL: 1500 PIECES

		73415-0969	PER COMMERCIAL REQUIREMENTS	ONE PIECE PER BAG OF 73415-0961
		73415-0968	PER COMMERCIAL REQUIREMENTS	INDIVIDUAL BAGS -- SEE SHEET 2
		73415-0967	PER MILITARY REQUIREMENTS	LEADS ORIENTED OPPOSITE FEED HOLES WITHOUT LABEL
		73415-0966	PER COMMERCIAL REQUIREMENTS	LEADS ORIENTED TOWARDS FEED HOLES WITHOUT LABEL
		73415-0965	PER COMMERCIAL REQUIREMENTS	LEADS ORIENTED OPPOSITE FEED HOLES
		73415-0964	PER MILITARY REQUIREMENTS	LEADS ORIENTED TOWARDS FEED HOLES
		73415-0963	PER COMMERCIAL REQUIREMENTS	LEADS ORIENTED TOWARDS FEED HOLES
		73415-0962	PER MILITARY REQUIREMENTS	LEADS ORIENTED OPPOSITE FEED HOLES
CECC-22-340	INTERFACE	73415-0961	PER COMMERCIAL REQUIREMENTS	TRAY PACK
PS-89675-1920	ELECTRO/MECH PERFORMANCE	73415-0960	PER MILITARY REQUIREMENTS	TRAY PACK
SPECIFICATION	DESCRIPTION	PART NUMBER	GOLD PLATING	PACKAGING

CHG: ADD -0969 PACKING FOR -0960/0961 WAS SINGLE BAGS EC NO: URF2012-0471 DRWN: JWIENER 2012/02/10 CHKD: SSS 2012/02/10 APPR: JWIENER 2012/02/10 F5	QUALITY SYMBOLS ▽=0 ▽=0	GENERAL TOLERANCES (UNLESS SPECIFIED)		DIMENSION STYLE MM/IN		SCALE	DESIGN UNITS METRIC	THIRD ANGLE PROJECTION	
		4 PLACES ± --- ± ---	3 PLACES ± --- ± ---	2 PLACES ± --- ± ---	1 PLACE ± --- ± ---	DRAWN BY EDC	DATE 1999/02/15	TITLE MMCX JACK PCB EDGE MOUNT 50 OHM MMCX-J/PCB	MOLEX INCORPORATED
		ANGULAR ± 2 °				CHECKED BY DHG	DATE 1999/02/15		
		DRAFT WHERE APPLICABLE MUST REMAIN WITHIN DIMENSIONS				APPROVED BY JWIENER	DATE 2010/02/24	DOCUMENT NO. SD-73415-096	SHEET NO. 1 OF 4

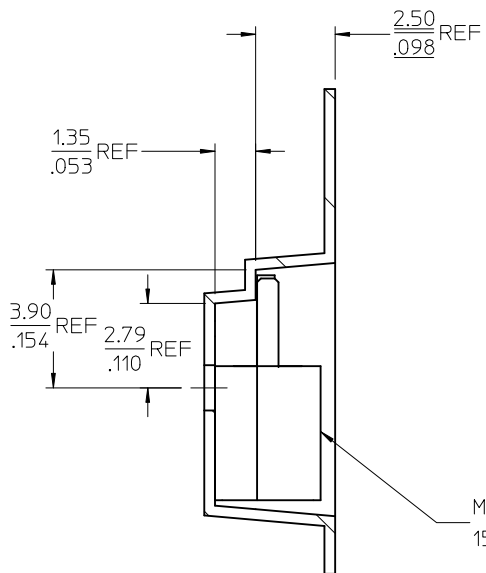


NOTE:
1. DIMENSIONS ARE PROVIDED FOR REFERENCE ONLY.
PART # 73415-0962/73415-065/73415-0967

PACKAGING FOR 73415-0968 ONLY
(INDIVIDUAL BAGS):

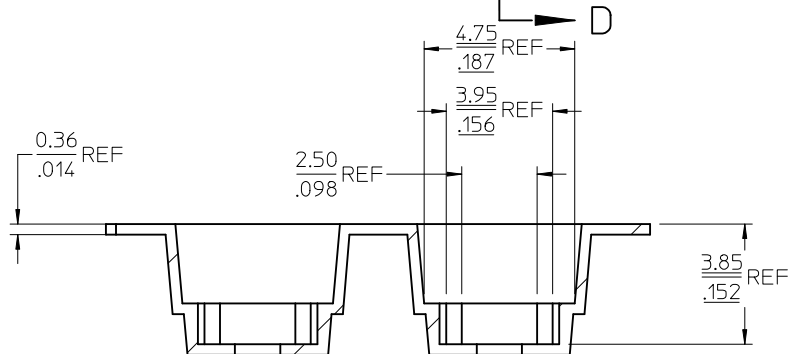
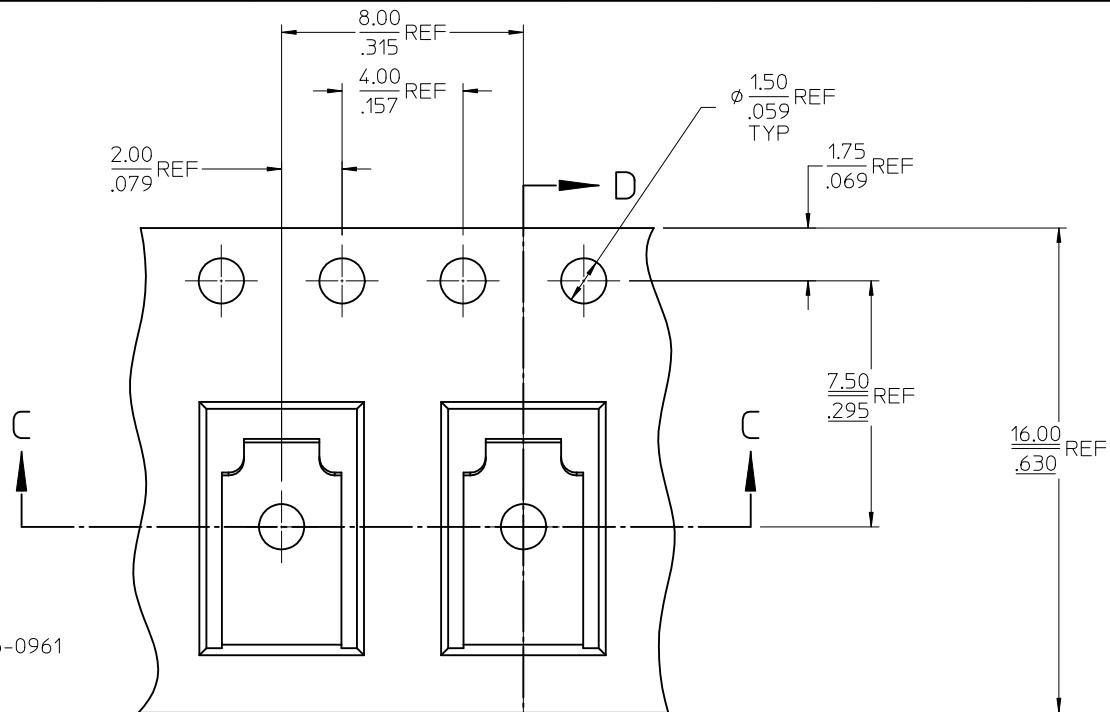
1. PASTE COLOR LABEL OFFERED BY CUSTOMER ON EVERY POLYBAG SHOWING QTY, CUSTOMER P/N:- K00G0027
2. PASTE COLOR LABEL ON MASTER CARTON SHOWING P/N & QTY.

CHG: SEE SHEET 1 EC NO: URF2012-0471 DRWN: JWIENER 2012/02/10 CHKD: SSS 2012/02/10 APPR: JWIENER 2012/02/10 REV: F5	QUALITY SYMBOLS	GENERAL TOLERANCES (UNLESS SPECIFIED) <table border="1"> <thead> <tr> <th></th> <th>mm</th> <th>INCH</th> </tr> </thead> <tbody> <tr> <td>4 PLACES</td> <td>± .005</td> <td>± .0002</td> </tr> <tr> <td>3 PLACES</td> <td>± .005</td> <td>± .0002</td> </tr> <tr> <td>2 PLACES</td> <td>± .005</td> <td>± .0002</td> </tr> <tr> <td>1 PLACE</td> <td>± .005</td> <td>± .0002</td> </tr> </tbody> </table> ANGULAR ± 2° DRAFT WHERE APPLICABLE MUST REMAIN WITHIN DIMENSIONS		mm	INCH	4 PLACES	± .005	± .0002	3 PLACES	± .005	± .0002	2 PLACES	± .005	± .0002	1 PLACE	± .005	± .0002	DIMENSION STYLE MM/IN DRAWN BY DATE EDC 1999/02/15 CHECKED BY DATE DHG 1999/02/15 APPROVED BY DATE JWIENER 2010/02/24	SCALE DESIGN UNITS METRIC THIRD ANGLE PROJECTION	TITLE MMCX JACK PCB EDGE MOUNT 50 OHM MMCX-J/PCB
			mm	INCH																
	4 PLACES		± .005	± .0002																
	3 PLACES		± .005	± .0002																
2 PLACES	± .005	± .0002																		
1 PLACE	± .005	± .0002																		
MATERIAL NO. SEE SHEET 1	DOCUMENT NO. SD-73415-096	SHEET NO. 2 OF 4																		
THIS DRAWING CONTAINS INFORMATION THAT IS PROPRIETARY TO MOLEX INCORPORATED AND SHOULD NOT BE USED WITHOUT WRITTEN PERMISSION																				



SECTION D-D

MOLEX P/N: 73415-0961
1500 PLACES



SECTION C-C

NOTES:

1. DIMENSIONS ARE PROVIDED FOR REFERENCE ONLY.

PART # 73415-0963/73415-0964/73415-0966

CHG: SEE SHEET 1 EC NO: URF2012-0471 DRWN: JWIENER 2012/02/10 CHKD: SSS 2012/02/10 APPR: JWIENER 2012/02/10 REV: F5	QUALITY SYMBOLS ▽=0 ▽=0	GENERAL TOLERANCES (UNLESS SPECIFIED)		DIMENSION STYLE MM/IN	SCALE METRIC	DESIGN UNITS METRIC	THIRD ANGLE PROJECTION
		4 PLACES ± --- ± --- 3 PLACES ± --- ± --- 2 PLACES ± --- ± --- 1 PLACE ± --- ± ---	mm INCH	DRAWN BY DATE EDC 1999/02/15	TITLE MMCX JACK PCB EDGE MOUNT 50 OHM MMCX-J/PCB		
		ANGULAR ± 2 °		CHECKED BY DATE DHG 1999/02/15	APPROVED BY DATE JWIENER 2010/02/24		
		DRAFT WHERE APPLICABLE MUST REMAIN WITHIN DIMENSIONS		MATERIAL NO. SEE SHEET 1	DOCUMENT NO. SD-73415-096	SHEET NO. 3 OF 4	

THIS DRAWING CONTAINS INFORMATION THAT IS PROPRIETARY TO MOLEX INCORPORATED AND SHOULD NOT BE USED WITHOUT WRITTEN PERMISSION

