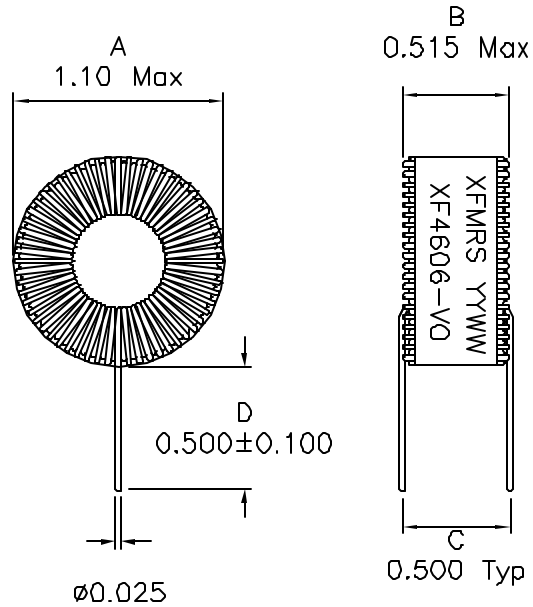
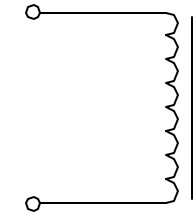


1. Mechanical Dimensions:



2. Schematic:



3. Electrical Specifications:

OCL: 460uH ± 10% @ 100KHz 0.1V
 DCR: 0.180 Ohms Max
 Rated Current: 3.0Adc

Notes:

1. Solderability: Leads shall meet MIL-STD-202, Method 208D for solderability.
2. Flammability: UL94V-0
3. ASTM oxygen index: > 28%
4. Insulation System: Class F 155°C, UL file E151556
5. Operating Temperature Range: All listed parameters are to be within tolerance from -40°C to +85°C
6. Storage Temperature Range: -55°C to +125°C
7. Aqueous wash compatible

DOC REV: A/1

PROPRIETARY Document is the property of XFMR5 Group & is not allowed to be duplicated without authorization.

| | | |
|---|--------------------------|-----------|
| XFMR5 Inc. | Title: TOROIDAL INDUCTOR | |
| UNLESS OTHERWISE SPECIFIED TOLERANCES: .xxx ± 0.010 Dimensions in Inch | P/N: XF4606-VQ | REV. A |
| | DWN. 廖玉坤 | Apr-29-04 |
| SHEET 1 OF 1 | CHK. 李清儿 | Apr-29-04 |
| | APP. Isaiah M | Apr-29-04 |