

PLEASE CHECK WWW.MOLEX.COM FOR LATEST PART INFORMATION

Part Number: [73100-0135](#)
Status: **Active**
Overview: TNC RF Connectors
Description: 50 Ohms, TNC Right-Angle, PCB, Jack Receptacle, Body Nickel Plated Zinc Alloy

Documents:

[Drawing \(PDF\)](#) [RoHS Certificate of Compliance \(PDF\)](#)

General

Product Family	RF/Coax Connectors
Series	73100
Overview	TNC RF Connectors
Product Name	TNC
Style	PCB
UPC	800753686465
Wire/Cable Type	N/A

Physical

Gender	Jack
Keying to Mating Part	None
Orientation	Right Angle
PCB Mounting	Through Hole
PCB Thickness - Recommended	2.40mm
Packaging Type	Tray
Panel Mount	No
Panel Mount Method	N/A
Reverse Polar	No

Electrical

Impedance	50#
-----------	-----

Solder Process Data

Lead-free Process Capability	SMC & Wave Capable (TH only)
Process Temperature max. C	260

Material Info

Reference - Drawing Numbers

Sales Drawing	SD-73100-0135, SD-73216-271
---------------	-----------------------------

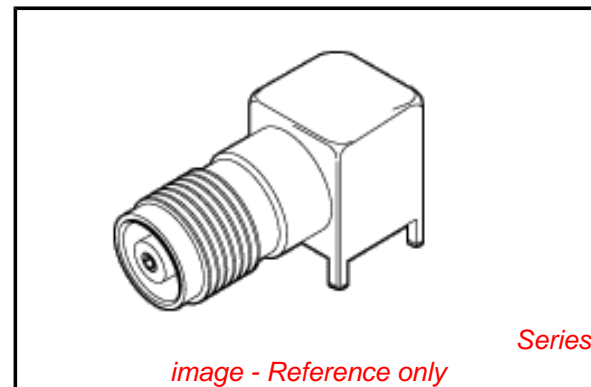


image - Reference only

EU RoHS

RoHS Compliant RF Product

REACH SVHC

Not Reviewed

Low-Halogen Status

Not Reviewed

China RoHS



Need more information on product environmental compliance?

Email productcompliance@molex.com
 For a multiple part number RoHS Certificate of Compliance, [click here](#)

Please visit the [Contact Us](#) section for any non-product compliance questions.

Search Parts in this Series

[73100Series](#)