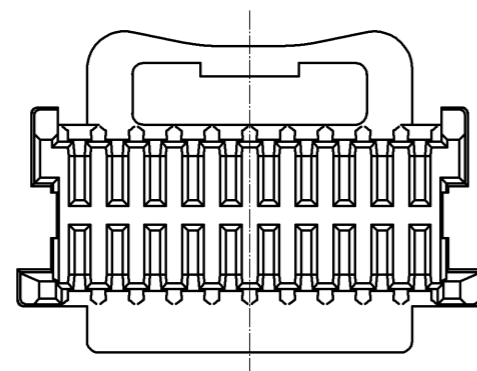
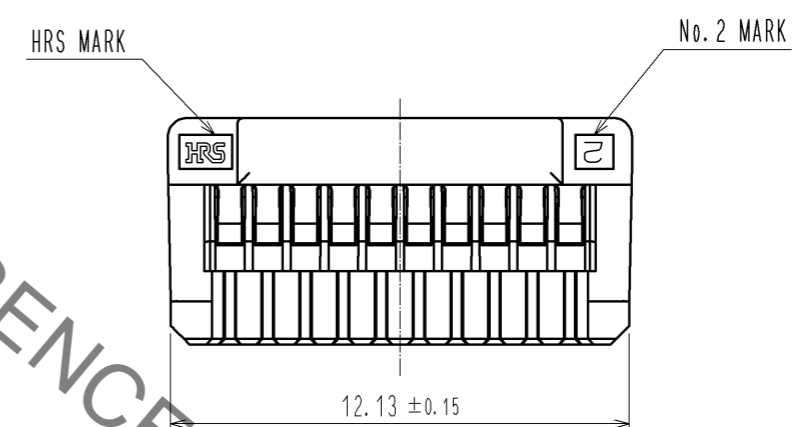
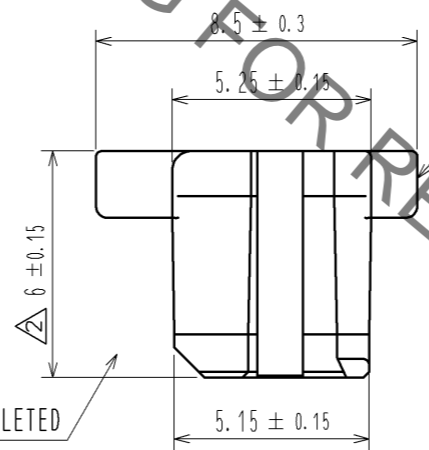
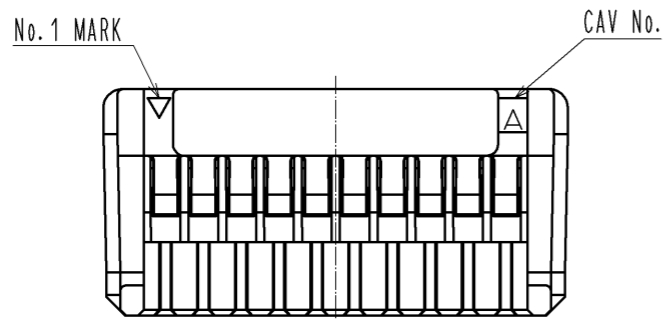
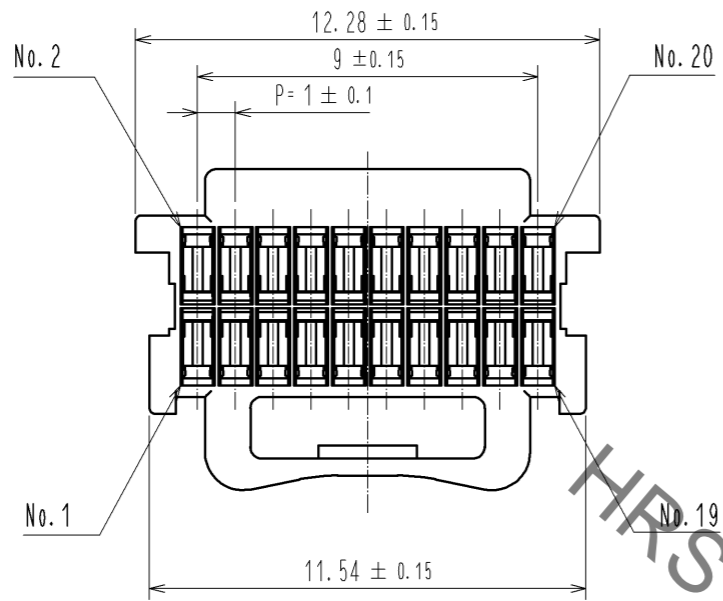


Mar.1.2020 Copyright 2020 HIROSE ELECTRIC CO., LTD. All Rights Reserved.  
In case of consideration for using Automotive equipment / device which demand high reliability, kindly contact our sales window correspondents.



NOTE 1. 100 PIECES PER PACK

NO.		MATERIAL		FINISH . REMARKS		1	PBT	UL94V-0. WHITE
UNITS mm		SCALE 5 : 1		COUNT 2	DESCRIPTION OF REVISIONS DIS-H-008139	DESIGNED ST. SATO	CHECKED HK. UMEHARA	DATE 13. 09. 06
HIROSE ELECTRIC CO., LTD.		APPROVED : OM. MIYAMOTO		12. 01. 31	DRAWING NO. EDC3-339520-00			
		CHECKED : OM. MIYAMOTO		12. 01. 31	PART NO. DF50S-20DS-1C			
		DESIGNED : TT. OHSAKO		12. 01. 31	CODE NO. CL665-0020-2-00			
		DRAWN : TT. OHSAKO		12. 01. 31	1/1			