

3M™ Trizact™ Pad Conditioner B75-2990

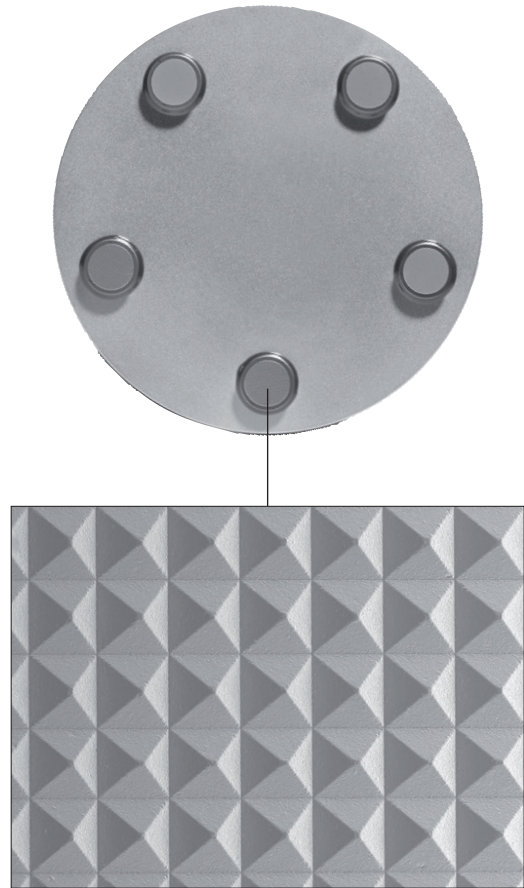
Bringing together 3M's know-how in abrasives, ceramics and microreplication, the 3M™ Trizact™ Pad Conditioner B75-2990 is an innovative pad conditioner for Chemical Mechanical Polishing (CMP) for advanced node semiconductor manufacturing.

The Trizact pad conditioner uses precisely engineered three-dimensional microreplicated ceramic structures coated with CVD diamond. The precisely controlled microreplicated structures ensure consistent performance disk-to-disk and the metal-free cutting surface is ideal for advanced node processes sensitive to metallic contamination.

3M offers a full line of pad conditioners for CMP that provide consistent performance for current and advanced technology node chemical mechanical planarization processes.

3M™ Trizact™ Pad Conditioners are available in multiple sizes and configurations to fit most new and legacy CMP tools.

Please contact your local 3M representative to learn more about 3M™ Trizact™ Pad Conditioner B75-2990.

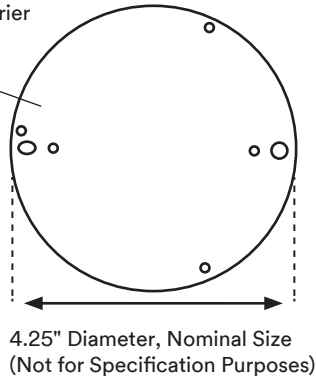


Scanning Electron Microscope (SEM) image of the B75-2990 microreplicated surface.

3M™ Trizact™ Pad Conditioner B75-2990

B75-2990-5S2 Backside

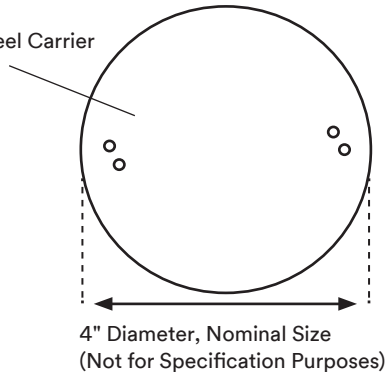
304 Stainless Steel Carrier
Universal Mounting
Configuration



B75-2990-5S2 Pad Conditioner Construction	
Carrier Material	304 SS
Carrier Size (diameter, nominal size)	4.25 in
Abrasive Material	CVD coated ceramic
Abrasive Working Surface	B75-2990 pattern
3M Stock Number	60-0200-2135-2

B75-2990-5S1 Backside

410 Stainless Steel Carrier



B75-2990-5S1 Pad Conditioner Construction	
Carrier Material	410 SS
Carrier Size (diameter, nominal size)	4 in
Abrasive Material	CVD coated ceramic
Abrasive Working Surface	B75-2990 pattern
3M Stock Number	60-0200-2136-0

Regulatory: For regulatory information about this product, contact your 3M representative.

Technical Information: The technical information, recommendations and other statements contained in this document are based upon tests or experience that 3M believes are reliable, but the accuracy or completeness of such information is not guaranteed.

Product Use: Many factors beyond 3M's control and uniquely within user's knowledge and control can affect the use and performance of a 3M product in a particular application. Given the variety of factors that can affect the use and performance of a 3M product, user is solely responsible for evaluating the 3M product and determining whether it is fit for a particular purpose and suitable for user's method of application.

Warranty, Limited Remedy, and Disclaimer: Unless an additional warranty is specifically stated on the applicable 3M product packaging or product literature, 3M warrants that each 3M product meets the applicable 3M product specification at the time 3M ships the product. 3M MAKES NO OTHER WARRANTIES OR CONDITIONS, EXPRESS OR IMPLIED, INCLUDING, BUT NOT LIMITED TO, ANY IMPLIED WARRANTY OR CONDITION OF MERCHANTABILITY OR FITNESS FOR A PARTICULAR PURPOSE OR ANY IMPLIED WARRANTY OR CONDITION ARISING OUT OF A COURSE OF DEALING, CUSTOM OR USAGE OF TRADE. If the 3M product does not conform to this warranty, then the sole and exclusive remedy is, at 3M's option, replacement of the 3M product or refund of the purchase price.

Limitation of Liability: Except where prohibited by law, 3M will not be liable for any loss or damage arising from the 3M product, whether direct, indirect, special, incidental or consequential, regardless of the legal theory asserted, including warranty, contract, negligence or strict liability.



Electronics Materials Solutions Division

3M Center, Building 224-3N-11
St. Paul, MN 55144-1000

Phone 1-800-251-8634
Fax 651-778-4244
Web www.3M.com/electronics

3M and Trizact are trademarks of 3M Company.
Please recycle.
©3M 2016. All rights reserved.
60-5002-0675-4