

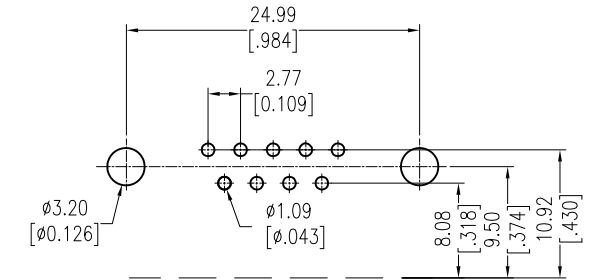
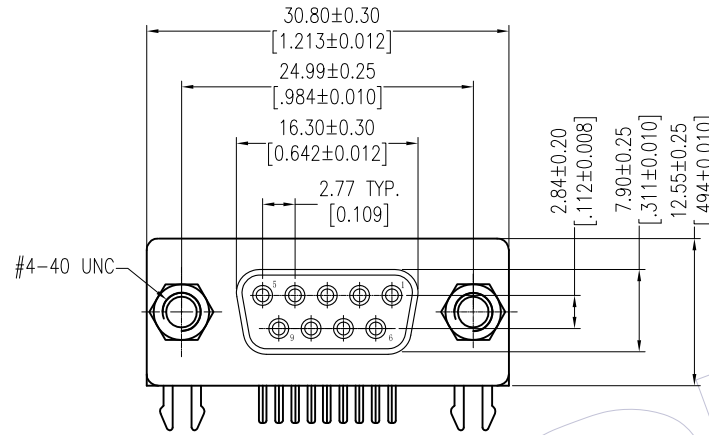
# HSF

**NOTES:**

Current Rating:3.0A AMP  
 Contact Resistance:25milliohm Max  
 Withstand Voltage:500V AC/Minute  
 Insulation Resistance:1000Megohm Min  
 Operation Temperature:-55°C to +105°C

Housing Material:PBT+30%GF(UL94V-0)  
 Contact Material:Copper alloy  
 Contact plating:Au/Sn over Ni Plating  
 Shell: Cold Roller Steel, Ni or Sn Plated  
 Revit/Harpoon: Brass, Tin Over Ni Plated  
 Screw: Brass, Ni Plated

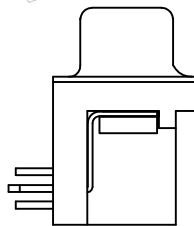
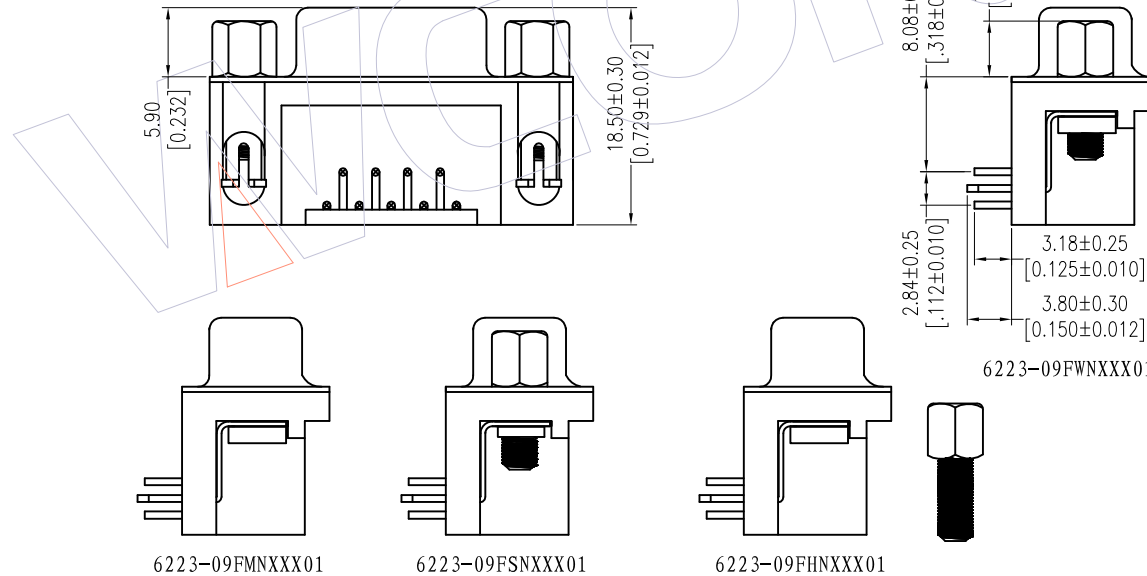
Recommended P.C.B Layout (Top Side)  
 (PCB BOARD TOLERANCE ± 0.05)



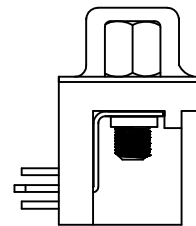
## Ordering Information

6223- 09 F X N XX B 01

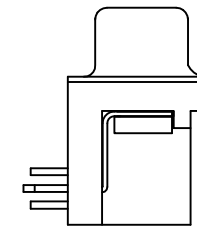
No. of Pins:	Product Type	Contact Plating:	Insulator Color:
9P	W=With Revit With Screw M=With Revit Without Screw S=No Revit Lock With Screw H=With Revit With Screw(Don't lock)	G0=Gold Flash G1=3u"Gold G2=5u"Gold G3=10u"Gold G4=15u"Gold G5=30u"Gold S0=Gold Flash/Tin S1=3u"Gold/Tin S2=5u"Gold/Tin S3=10u"Gold/Tin S4=15u"Gold/Tin S5=30u"Gold/Tin SN=Tin	B= Black



6223-09FMNXXX01




6223-09FSNXXX01



6223-09FHNXXX01

6223-09FWNXXX01

				OPERATION		DRAW		DATE		SCALE		FIT		PART NO.		 <a href="http://www.wcon.com">Http: www.wcon.com</a> WCON-Dongguan Tel: +86 769 85358920 Fax: +86 769 85358915 E-mail: sales@wcon.com WCON-Kunshan Tel: +86 512 57468408 Fax: +86 512 57468468 E-mail: salesks@wcon.com	
				X.X	±0.40	Allen		2014/02/28		UNIT		mm		6223-09FXNXXB01			
				X.XX	±0.25	CHECK		DATE		SIZE		A4		TITLE:			
				X.XXX	±0.15	APPROVE		DATE		SHEET		1/1		D-SUB FEMALE CONNECTOR 9P 8.08 FOOTPRINT RIGHT ANGLE TYPE			
A0	2014/02/28	NEW		CHANGE						PROJ.		Customer NO.					
REV	DATE	MODIFICATION DESCRIPTION															