



| | |
|-----------|------------|
| Spec. No. | PS-ND-0807 |
| Rev. | A |

PRODUCT SPECIFICATION

Model No : CSS-4310A9/4311A9

Descriptions:

- 0.43 Inch Single Digit Display
- Emitting Color : Super Bright Amber



| CUSTOMER APPROVED | APPROVED BY | CHECKED BY | PREPARED BY |
|-------------------|-------------|------------|-------------|
| SIGNATURES | | | 陳新強 |

CHINA SEMICONDUCTOR CORPORATION
Address:2FL. NO.909,Chung-Cheng Road,
Chung-Ho City Taipei Hsien,Taiwan.

Tel:886-2-2223-9696
Fax:886-2-2223-9377

OPTO PLUS TECHNOLOGIES CO.,LTD
Address:696 Shun jiang Rd.,Ji Shan St.Shaoxing,
ZheJiang,China

Tel:86-0575-88623888
Fax:86-0575-88623112



Model No : CSS-4310A9/4310A9

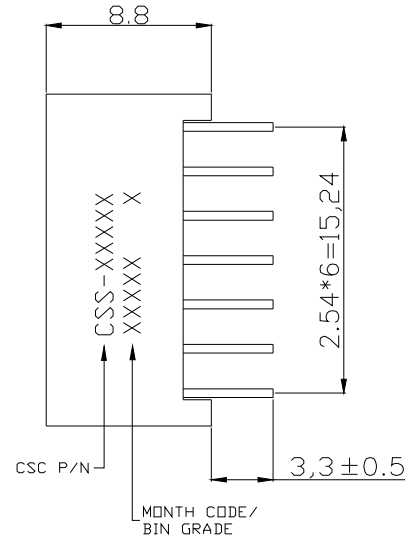
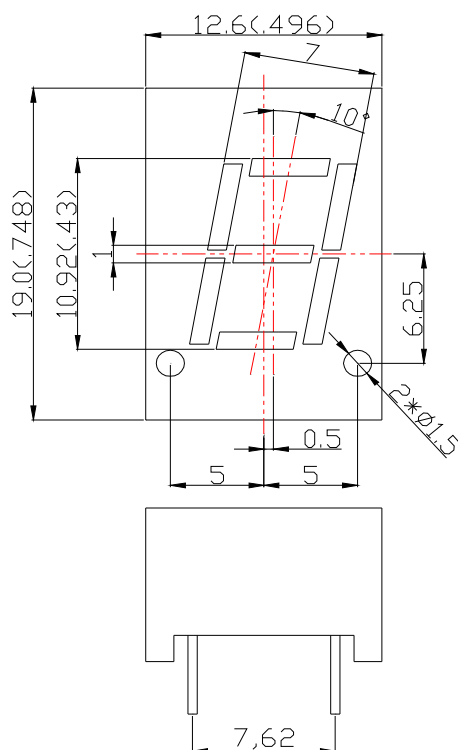
Features -

1. 0.43 inch (10.92mm) digit height.
2. Case mold type.
3. RoHs compliant.
4. Low power consumption.
5. Easy mounting on P.C. board or socket.

Device Selection Guide -

| Model No. | Chip | | Description |
|-------------------|----------------|---------------------------|-----------------------|
| | Material | Emitted Color | |
| CSS-4310A9 | AlGaInP | Super Bright Amber | Common Anode |
| CSS-4311A9 | AlGaInP | Super Bright Amber | Common Cathode |

Mechanical Dimensions -



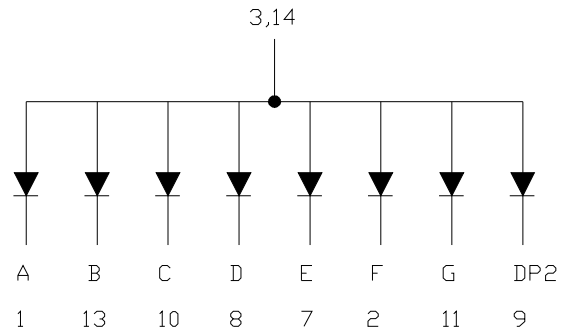
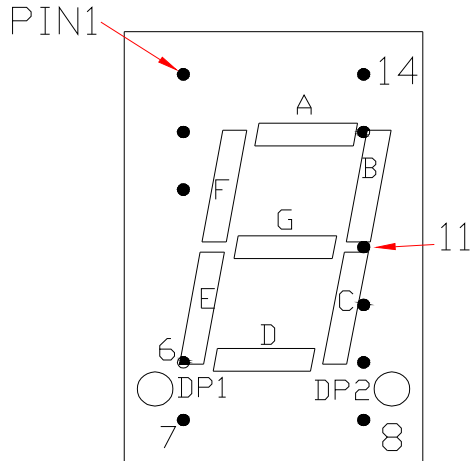
NOTE:

1. All pins are $\phi 0.51(0.02)$.
2. Dimension in millimeter (inch), and tolerance is $\pm 0.25(0.01)$ unless otherwise noted.



Model No : CSS-4310A9/4310A9

Internal Circuit Diagrams -



4 . 5 . 12 NO PIN
DP1 NO CHIP
CSS-4310 Common Anode.
(CSS-4311 Common Cathode).

Absolute Maximum Rating -

(Ta=25°C)

| Parameter | Symbol | Rating | Unit |
|--|--------|-----------|-------|
| Power Dissipation Per Dice | Pd | 70 | mW |
| Continuous Forward Current Per Dice | IAF | 25 | mA |
| Peak Current Per Dice | IPF | 90 | mA |
| Derating Linear From 25°C Per Dice | - | 0.33 | mA/°C |
| Reverse Voltage Per Dice | VR | 5 | V |
| Operating Temperature | Topr | -35 ~ +85 | °C |
| Storage Temperature | Tstg | -35 ~ +85 | °C |
| Solder temperature 1/16 inch below seating plane for 3 seconds at 260 °C | | | |



Model No : CSS-4310A9/4310A9

■ Electro-optical Characteristics -

(Ta=25°C)

| Parameter | Symbol | Min. | Typ. | Max. | Unit | Condition |
|-----------------------------------|------------------|------|-------|------|---------|-----------|
| Forward Voltage Per Segment | VF | - | 2.0 | 2.8 | V | IF=20mA |
| Luminous Intensity Per Segment | Iv | 6000 | 15000 | - | ucd | IF=10mA |
| Peak Emission Wavelength | λP | - | 612 | - | nm | IF=20mA |
| Dominant Wavelength | λd | - | 606 | - | nm | IF=20mA |
| Spectrum Radiation Bandwidth | $\Delta \lambda$ | - | 20 | - | nm | IF=20mA |
| Reverse Current | IR | - | - | 100 | μA | VR=5V |
| Luminous Intensity Matching Ratio | IV-m | - | - | 2:1 | - | IF=10mA |



Model No : CSS-4310A9/4310A9

Typical Electrical / Optical Characteristics Curves -

(Ta = 25°C Unless Otherwise Noted)

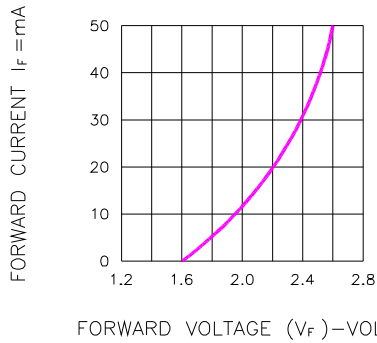


Fig.1 FORWARD CURRENT VS. FORWARD VOLTAGE

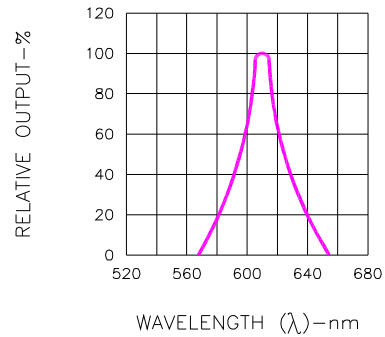


Fig.2 SPECTRAL RESPONSE

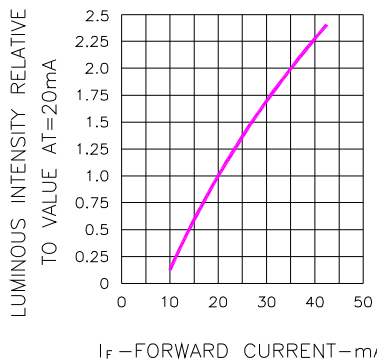


Fig.3 RELATIVE LUMINOUS INTENSITY VS. FORWARD CURRENT

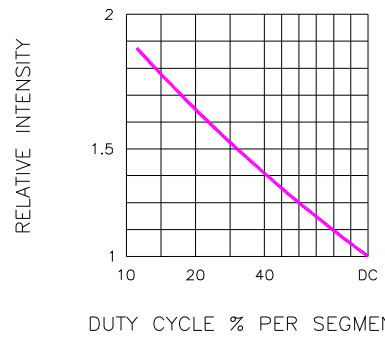


Fig.5 LUMINOUS INTENSITY VS. DUTY CYCLE

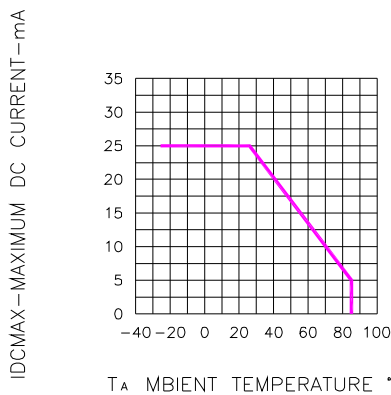


Fig.4 MAXIMUM ALLOWABLE DC CURRENT PER SEGMENT VS. A FUNCTION OF AMBIENT TEMPERATURE

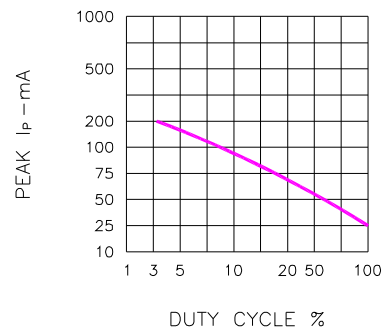


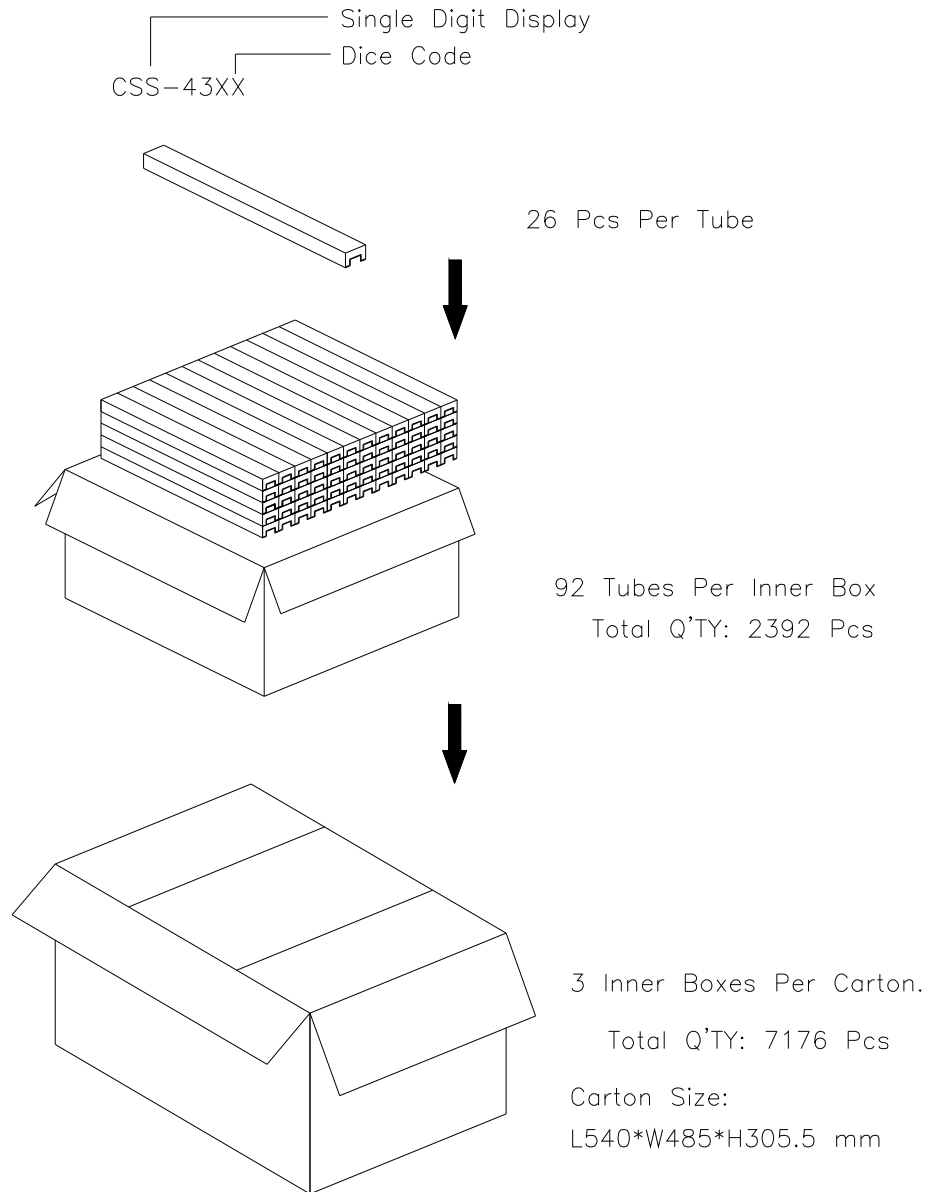
Fig.6 MAX PEAK CURRENT VS. DUTY CYCLE % (REFRESH RATE f=1 KHz)



| | |
|-----------|------------|
| Spec. No. | PS-ND-0807 |
| Rev. | A |

Model No: CSS-4310A9/4311A9

■ Package Dimensions



Note: The specifications are subject to change without notice. Please contact us for updated information.

<http://www.csctw.com.tw>