

PLEASE CHECK WWW.MOLEX.COM FOR LATEST PART INFORMATION

Part Number: [0552150601](#)
Status: **Active**
Description: 0.80mm (.031") Pitch Flat Cable Upper Housing, 60 Circuits

Documents:

| | |
|--|--|
| Drawing (PDF) | Product Specification PS-54373-003 (PDF) |
| Product Specification PS-54373-002 (PDF) | RoHS Certificate of Compliance (PDF) |

General

| | |
|----------------|-----------------------|
| Product Family | Accessories |
| Series | 55215 |
| Component Type | Cover |
| Product Name | N/A |

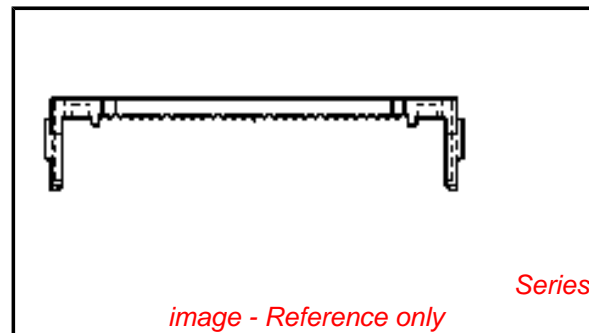
Physical

| | |
|-------------------------------|----------------|
| Circuits (Loaded) | 60 |
| Packaging Type | Bag |
| Temperature Range - Operating | -20°C to +60°C |

Material Info

Reference - Drawing Numbers

| | |
|-----------------------|---|
| Product Specification | PS-54373-002, PS-54373-003, RPS-54373-008, RPS-54373-009 |
| Sales Drawing | SD-55218-002, SD-55218-004 |



EU RoHS

**ELV and RoHS
Compliant**

REACH SVHC

Not Reviewed

Halogen-Free

Status

Not Reviewed

China RoHS



**Need more information on product
environmental compliance?**

Email productcompliance@molex.com
 For a multiple part number RoHS Certificate of
 Compliance, [click here](#)

Please visit the [Contact Us](#) section for any
 non-product compliance questions.

Search Parts in this Series

[55215Series](#)

Use With

[55216](#) Strain Relief, [55217](#) Plug

DWG. NO. SD-55218-002

NOTES

1. PARTS LIST:

| NO. | PART NAME | ENG. NO. | QUAN. | MATERIAL | COLOR |
|-----|----------------|---------------------------|-------|--|-------|
| ① | PLUG SUB ASS'Y | 55217-0601 | 1 | PLUG HS'G: PBT ,G.F.35% ,UL94V-0 LOWER COVER: PBT ,G.F.35% ,UL94V-0 TERMINAL: PHOSPHOR BRONZE PLATING SPEC.: Au0.2umMIN.,Sn-Pb1-4um,Ni2-3.5um. | BLACK |
| | | 55217-0606 (LEAD FREE) | 1 | PLUG HS'G: PBT ,G.F.35% ,UL94V-0 LOWER COVER: PBT ,G.F.35% ,UL94V-0 TERMINAL: PHOSPHOR BRONZE PLATING SPEC.: Au0.2umMIN.,Sn-Cu2-4um,Ni1.5-3um. | BLACK |
| ② | UPPER COVER | 55215-0601 | 2 | PPS ,G.F.40% ,UL94V-0 | BLACK |
| ③ | STRAIN RELIEF | 55216-0601 | 1 | 46NYLON ,G.F.30% ,UL94V-0 | BLACK |

2. 適用電線:

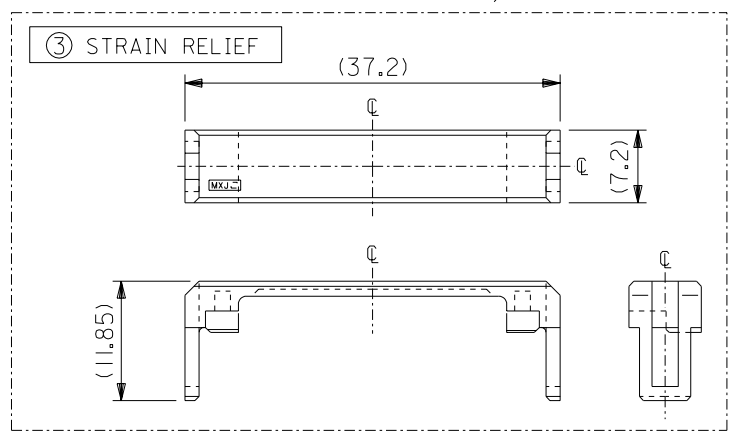
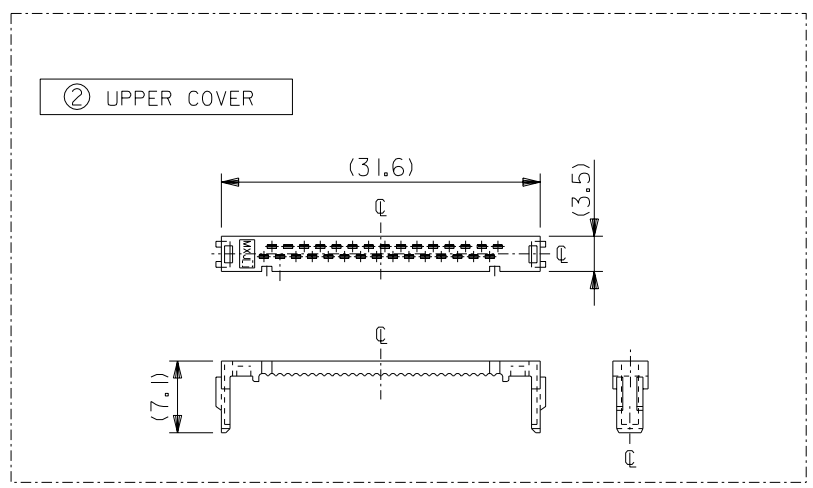
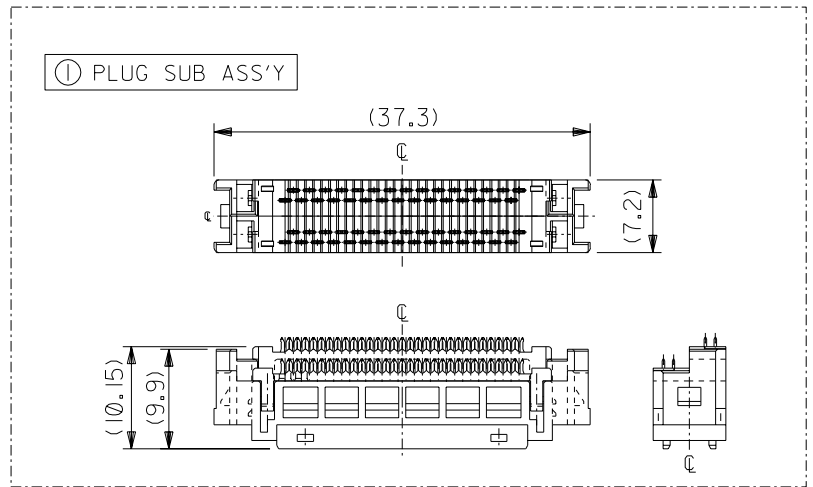
日立電線 (株) 製 フラットエース・スダレタイプ (ピッチ:0.8mm) ケーブル
 HITACHI DENSEN NO. :UL20028-ST P=0.8
 [UL20028-ST 30x30AWG (7/0.102) P=0.8]
 MOLEX NO. :58605-0600

3. 適用圧接治工具:

日本モレックス (株) 製指定治工具

4. 適用リセプタクル: 0.8mm ピッチ ストレート リセプタクル

MOLEX NO. :54373-0601,54373-0606(LEAD FREE)



無鉛
LEAD FREE

| | | |
|------------------|------------|------------|
| 鉛フリー (LEAD FREE) | 55218-0606 | 55218-060* |
| → | 55218-0601 | |

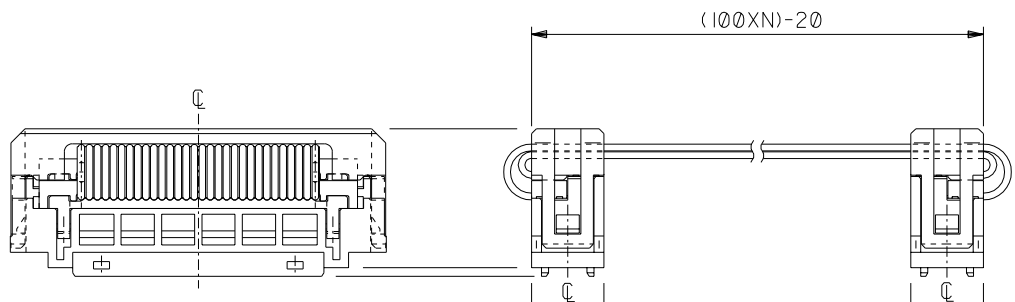
| | |
|----------------------------------|-------------------------------|
| MATERIAL NO. | MODEL NO. |
| DIMENSIONS: | |
| <input type="checkbox"/> mm | <input type="checkbox"/> INCH |
| <input type="checkbox"/> mm ONLY | <input type="checkbox"/> SHT |
| <input type="checkbox"/> INCH | <input type="checkbox"/> REV |
| REVISE ON CAD ONLY | |

| | | | | | | | | | | |
|--|--|---|---|---|------------------------------|--|--|---|---|--|
| EC NO. DRWN: CHK: APPR: | EC NO. DRWN: CHK: APPR: | EC NO. J2004-0143 DRWN: M.ISOGAYA CHK: S.ICHIKAWA APPR: YO.IITO | EC NO. JD9041498/09/16 DRWN: T.ODA CHK: S.ICHIKAWA APPR: H.IKESUGI | EC NO. JD81489/08/04/29 DRWN: S.ICHIKAWA CHK: Y.IITO APPR: H.IKESUGI | MATERIAL 材料 SEE NOTES | GENERAL TOLERANCES: (UNLESS SPECIFIED) 一般公差 | SCALE 2-1 | DESIGN UNITS <input checked="" type="checkbox"/> mm <input type="checkbox"/> INCH | THIRD ANGLE PROJECTION | TITLE: 0.8 PITCH WIRE TO BOARD CONNECTOR |
| REVISED 03/07/15 EC NO. J2004-0143 DRWN: M.ISOGAYA CHK: S.ICHIKAWA APPR: YO.IITO | REVISED EC NO. JD9041498/09/16 DRWN: T.ODA CHK: S.ICHIKAWA APPR: H.IKESUGI | RELEASED EC NO. JD81489/08/04/29 DRWN: S.ICHIKAWA CHK: Y.IITO APPR: H.IKESUGI | FINISH 仕上げ — | WIRE RANGE 適用線径範囲 SEE NOTES | FINISH 仕上げ — | 10 UNDER 未満 ±0.2 | DRAWN BY & DATE S. Ichikawa '98/04/29 | <input checked="" type="checkbox"/> mm <input type="checkbox"/> INCH | <input type="checkbox"/> THIRD ANGLE PROJECTION | CHECKED BY & DATE Y. Ito |
| INS. RANGE 被覆外径 SEE NOTES | INS. RANGE 被覆外径 SEE NOTES | INS. RANGE 被覆外径 SEE NOTES | INS. RANGE 被覆外径 SEE NOTES | INS. RANGE 被覆外径 SEE NOTES | INS. RANGE 被覆外径 SEE NOTES | 10 OVER 30 UNDER 未満 ±0.25 | APPROVED BY & DATE H. Ichikawa | <input type="checkbox"/> mm <input type="checkbox"/> INCH | <input type="checkbox"/> THIRD ANGLE PROJECTION | CAD FILENAME 55218002.S01 |
| 30 OVER 以上 ±0.3 | ANGLE 角度 ±3° | MATERIAL NO. SEE CHART | | DRAWING NO. SD-55218-002 | SHEET NO. 1 OF 2 | THIS DRAWING CONTAINS INFORMATION THAT IS PROPRIETARY TO MOLEX INCORPORATED AND SHOULD NOT BE USED WITHOUT WRITTEN PERMISSION. | | SIZE B | | |

DO NOT SCALE DRAWING

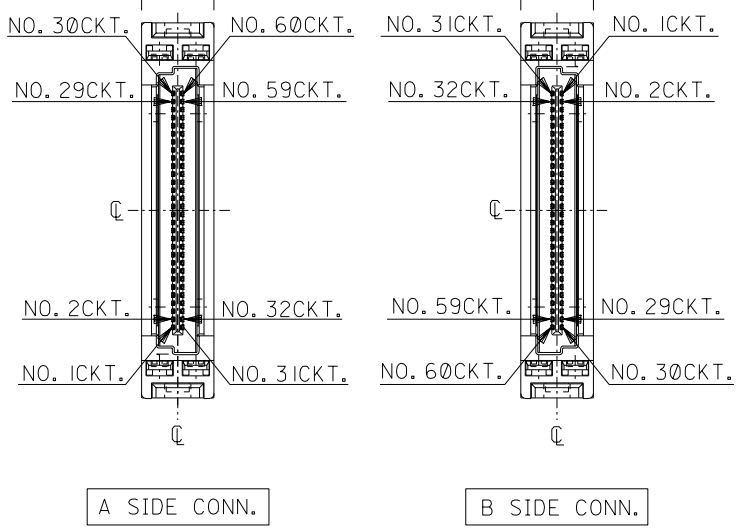
DWG. NO. SD-55218-002

8 7 6 5 4 3 2 1

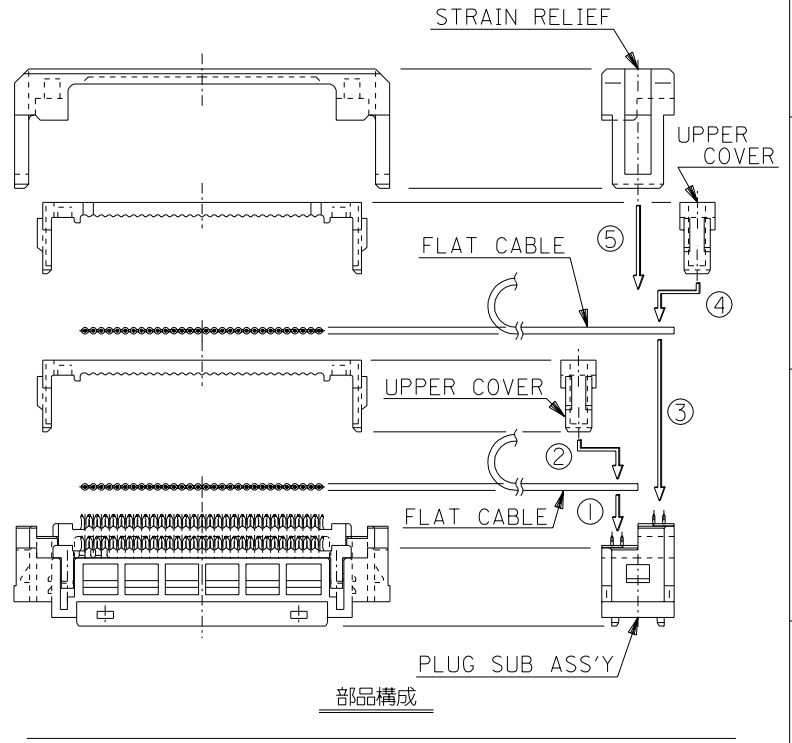


PIN ASSIGN

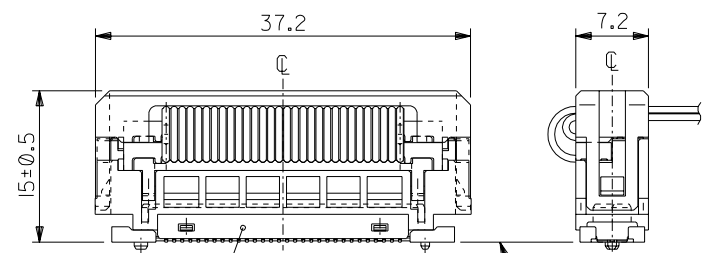
| A SIDE CONN. | B SIDE CONN. | A SIDE CONN. | B SIDE CONN. |
|--------------|--------------|--------------|--------------|
| 1 | 30 | 31 | 60 |
| 2 | 29 | 32 | 59 |
| 3 | 28 | 33 | 58 |
| 4 | 27 | 34 | 57 |
| 5 | 26 | 35 | 56 |
| 6 | 25 | 36 | 55 |
| 7 | 24 | 37 | 54 |
| 8 | 23 | 38 | 53 |
| 9 | 22 | 39 | 52 |
| 10 | 21 | 40 | 51 |
| 11 | 20 | 41 | 50 |
| 12 | 19 | 42 | 49 |
| 13 | 18 | 43 | 48 |
| 14 | 17 | 44 | 47 |
| 15 | 16 | 45 | 46 |
| 16 | 15 | 46 | 45 |
| 17 | 14 | 47 | 44 |
| 18 | 13 | 48 | 43 |
| 19 | 12 | 49 | 42 |
| 20 | 11 | 50 | 41 |
| 21 | 10 | 51 | 40 |
| 22 | 9 | 52 | 39 |
| 23 | 8 | 53 | 38 |
| 24 | 7 | 54 | 37 |
| 25 | 6 | 55 | 36 |
| 26 | 5 | 56 | 35 |
| 27 | 4 | 57 | 34 |
| 28 | 3 | 58 | 33 |
| 29 | 2 | 59 | 32 |
| 30 | 1 | 60 | 31 |



接続図



部品構成



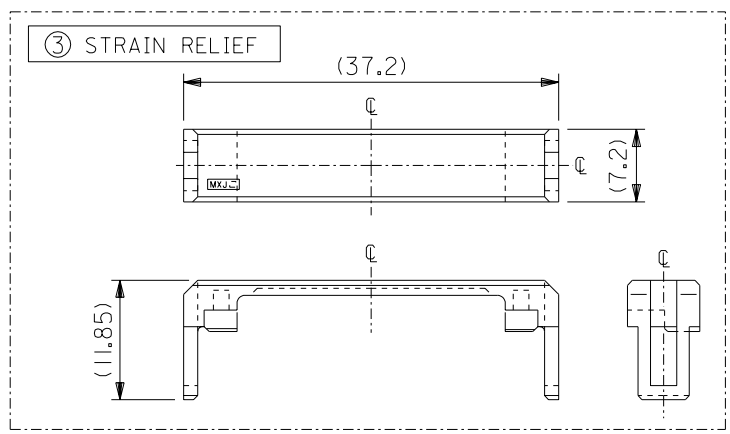
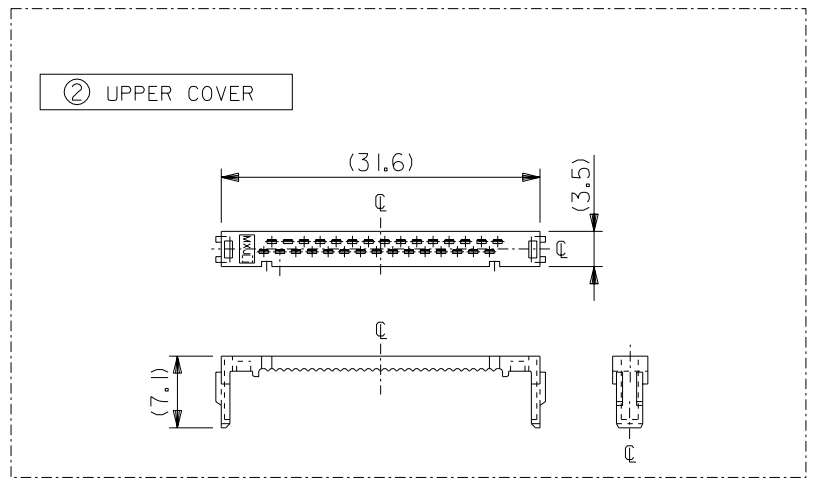
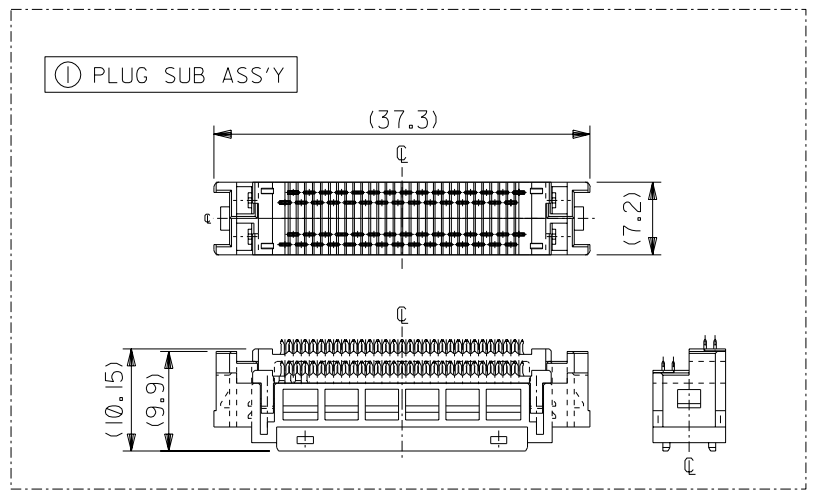
嵌合図

DO NOT SCALE DRAWING

| | | | | | | | | | | | | | | |
|--|----------------------------------|----------------------------------|----------------------------------|----------------------------------|----------------------------------|----------------------|----------------|---|--------------|--|---|--------------------------------|------------------------------|-----|
| EC NO. DRWN: CHK: APPR: | EC NO. DRWN: CHK: APPR: | EC NO. DRWN: CHK: APPR: | EC NO. DRWN: CHK: APPR: | EC NO. DRWN: CHK: APPR: | EC NO. DRWN: CHK: APPR: | DESCRIPTION | MATERIAL 材料 | GENERAL TOLERANCES: (UNLESS SPECIFIED) 一般公差 | SCALE 2-1 | DESIGN UNITS mm INCH | THIRD ANGLE PROJECTION | DIMENSIONS: mm INCH mm ONLY | SHT REVISE ON CAD ONLY | REV |
| | | | | | | FINISH 仕上り | # | 10 UNDER 未満 | ±0.2 | DRAWN BY & DATE S. Ichikawa '98/04/29 | TITLE: 0.8 PITCH WIRE TO BOARD CONNECTOR | | | |
| | | | | | | WIRE RANGE 適用配線範囲 | # | 10 OVER 30 UNDER 以上 未満 | ±0.25 | CHECKED BY & DATE Y.O. | MOLEX INCORPORATED | | | |
| | | | | | | INS. RANGE 被覆外径 | # | 30 OVER 以上 | ±0.3 | APPROVED BY & DATE S. Ichikawa | MATERIAL NO. DRAWING NO. SD-55218-002 | | | |
| | | | | | | REV | | ANGLE 角度 | ±3° | CAD FILENAME 55218002.S02 | SEE CHART | SHEET NO. 2 | SIZE B | |
| THIS DRAWING CONTAINS INFORMATION THAT IS PROPRIETARY TO MOLEX INCORPORATED AND SHOULD NOT BE USED WITHOUT WRITTEN PERMISSION. | | | | | | | | | | | | EN-02J(097) MXJ-54 | | |

8 7 6 5 4 3 2 1

DWG. NO. SD-55218-004



NOTES

1. PARTS LIST:

| NO. | PART NAME | ENG. NO. | QUAN. | MATERIAL | COLOR |
|-----|----------------|------------|-------|---|-------|
| ① | PLUG SUB ASS'Y | 55217-0671 | 1 | PLUG HS'G: PBT ,G.F.35% ,UL94V-0 | BLACK |
| | | | | LOWER COVER: PBT ,G.F.35% ,UL94V-0 | BLACK |
| | | | | TERMINAL: PHOSPHOR BRONZE PLATING SPEC.: AU0.2 MICROMETER MIN. TIN 1.0 MICROMETER MIN. NICKEL 2.0 MICROMETER MIN. | —#— |
| ② | UPPER COVER | 55215-0601 | 2 | PPS ,G.F.40% ,UL94V-0 | BLACK |
| ③ | STRAIN RELIEF | 55216-0601 | 1 | 46NYLON ,G.F.30% ,UL94V-0 | BLACK |

2. 適用電線:
日立電線(株)製 フラットエース・スタレタイプ(ピッチ:0.8mm)ケーブル
HITACHI DENSEN NO. :UL20028-ST P=0.8
[UL20028-ST 30x30AWG (7/0.102) P=0.8]
MOLEX NO. :58605-0600
3. 適用圧接治工具:
日本モレックス(株)製指定治工具
4. 適用リセブタクル: 0.8mm ピッチ ストレート リセブタクル
MOLEX NO. :54373-0601,54373-0606(LEAD FREE)
5. 本製品は55218-0601 の鉛フリー品である。
THIS PRODUCT IS LEAD FREE OF 55218-0601

| | |
|---|---|
| 55218-0671 | 55218-***71 |
| MATERIAL NO. | MODEL NO. |
| DIMENSIONS: | |
| <input type="checkbox"/> mm <input type="checkbox"/> INCH | <input type="checkbox"/> SHT <input type="checkbox"/> REV |
| <input checked="" type="checkbox"/> mm ONLY | REVISE ON CAD ONLY |

DO NOT SCALE DRAWING

| | | | | |
|----------------------------------|----------------------------------|----------------------------------|----------------------------------|----------------------------------|
| EC NO. DRWN: CHK: APPR: | EC NO. DRWN: CHK: APPR: | EC NO. DRWN: CHK: APPR: | EC NO. DRWN: CHK: APPR: | EC NO. DRWN: CHK: APPR: |
| | | | | |

RELEASED 04/3/19
EC NO. J2004-3220
DRWN: H. SHIMABUKURO
CHK: K. TOJO
APPR: M. SASAO

| | |
|-------------------|-----------|
| MATERIAL 材料 | SEE NOTES |
| FINISH 仕上げ | —#— |
| WIRE RANGE 適用電線範囲 | SEE NOTES |
| INS. RANGE 被覆外径 | SEE NOTES |

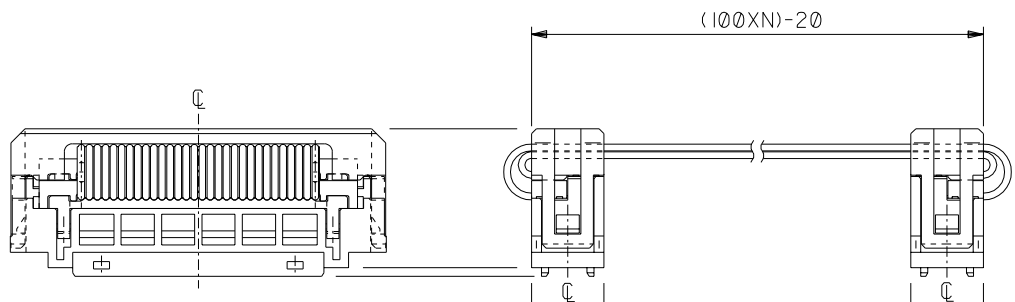
| | | | |
|---|----------|---|--|
| GENERAL TOLERANCES: (UNLESS SPECIFIED) 一般公差 | SCALE —# | DESIGN UNITS <input checked="" type="checkbox"/> mm <input type="checkbox"/> INCH | THIRD ANGLE PROJECTION <input checked="" type="checkbox"/> |
| 10 UNDER 未満 | ±0.2 | DRAWN BY & DATE: 04/3/19 H. SHIMABUKURO | TITLE: -LEAD FREE- |
| 10 OVER 以上 30 UNDER 未満 | ±0.25 | CHECKED BY & DATE: K. TOJO '04/3/19 | 0.8 PITCH WIRE TO BOARD CONNECTOR |
| 30 OVER 以上 | ±0.3 | APPROVED BY & DATE: M. SASAO '04/3/19 | MOLEX MOLEX INCORPORATED |
| ANGLE 角度 | ±3° | CAD FILENAME 55218004.S01 | MATERIAL NO. SEE CHART |

| | |
|--|---------------------|
| DRAWING NO. SD-55218-004 | SHEET NO. 1 OF 2 |
| THIS DRAWING CONTAINS INFORMATION THAT IS PROPRIETARY TO MOLEX INCORPORATED AND SHOULD NOT BE USED WITHOUT WRITTEN PERMISSION. | |
| SIZE B | EN-02J(097) MXJ-54 |

SD-55218-004.S01

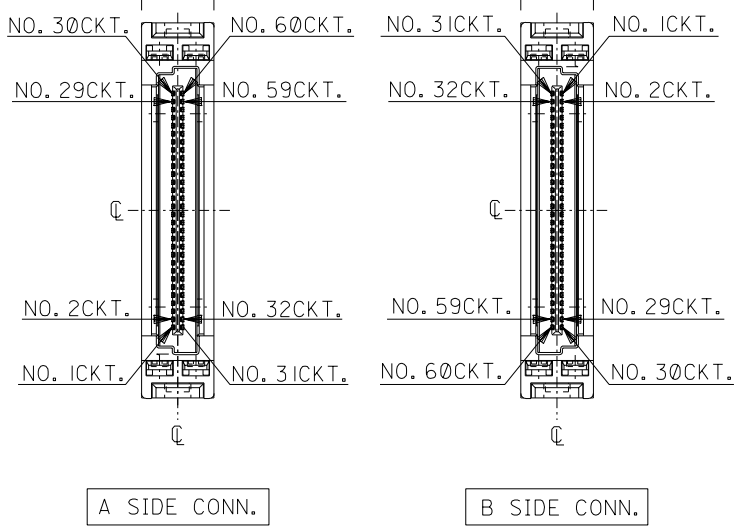
DWG. NO. SD-55218-004

8 7 6 5 4 3 2 1



PIN ASSIGN

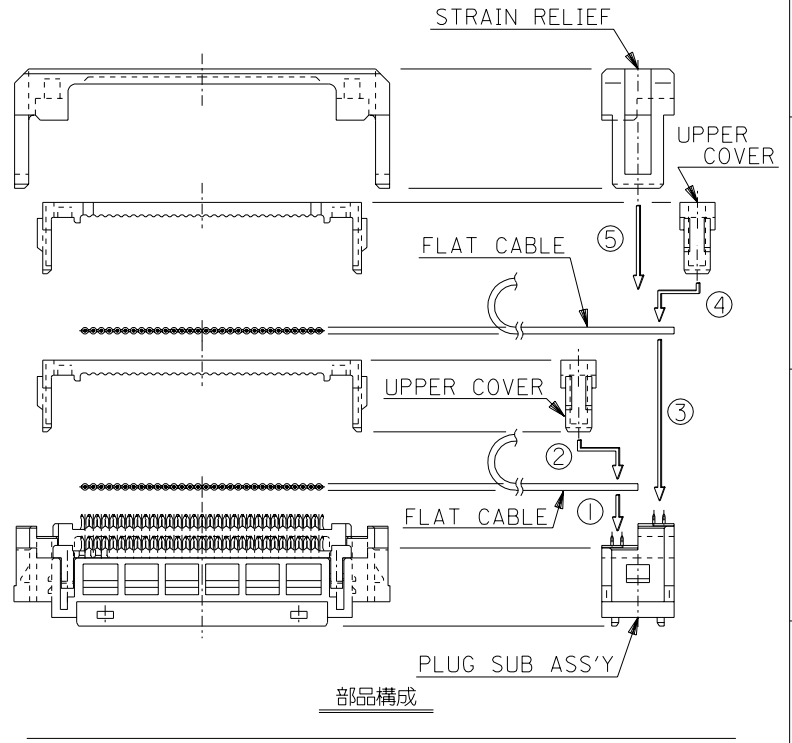
| A SIDE CONN. | B SIDE CONN. | A SIDE CONN. | B SIDE CONN. |
|--------------|--------------|--------------|--------------|
| 1 | 30 | 31 | 60 |
| 2 | 29 | 32 | 59 |
| 3 | 28 | 33 | 58 |
| 4 | 27 | 34 | 57 |
| 5 | 26 | 35 | 56 |
| 6 | 25 | 36 | 55 |
| 7 | 24 | 37 | 54 |
| 8 | 23 | 38 | 53 |
| 9 | 22 | 39 | 52 |
| 10 | 21 | 40 | 51 |
| 11 | 20 | 41 | 50 |
| 12 | 19 | 42 | 49 |
| 13 | 18 | 43 | 48 |
| 14 | 17 | 44 | 47 |
| 15 | 16 | 45 | 46 |
| 16 | 15 | 46 | 45 |
| 17 | 14 | 47 | 44 |
| 18 | 13 | 48 | 43 |
| 19 | 12 | 49 | 42 |
| 20 | 11 | 50 | 41 |
| 21 | 10 | 51 | 40 |
| 22 | 9 | 52 | 39 |
| 23 | 8 | 53 | 38 |
| 24 | 7 | 54 | 37 |
| 25 | 6 | 55 | 36 |
| 26 | 5 | 56 | 35 |
| 27 | 4 | 57 | 34 |
| 28 | 3 | 58 | 33 |
| 29 | 2 | 59 | 32 |
| 30 | 1 | 60 | 31 |



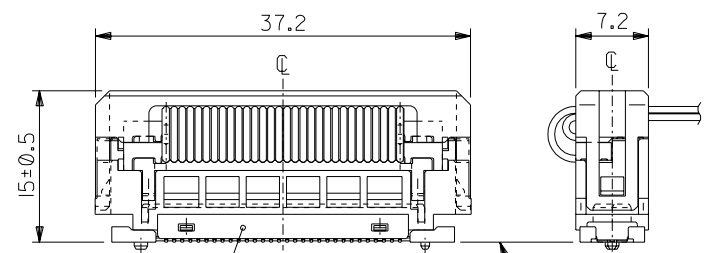
A SIDE CONN.

B SIDE CONN.

接続図



部品構成



REC. HS'G ASS'Y
54373-060* 嵌合図

プリント基板面

DO NOT SCALE DRAWING

| EC NO. | DRWN: | CHK: | APPR: | EC NO. | DRWN: | CHK: | APPR: | EC NO. | DRWN: | CHK: | APPR: | EC NO. | DRWN: | CHK: | APPR: | EC NO. | DRWN: | CHK: | APPR: | REV | |
|--------|-------|------|-------|--------|-------|------|-------|--------|-------|------|-------|--------|-------|------|-------|--------|-------|------|-------|-----|--|
| | | | | | | | | | | | | | | | | | | | | | |

| | | | | | | |
|--|--------------|--|-----------------------------|-------------------------------|---|--------------------|
| 55218-***71 | | MODEL NO. | DIMENSIONS: | | SHT | REV |
| SCALE | DESIGN UNITS | THIRD ANGLE PROJECTION | <input type="checkbox"/> mm | <input type="checkbox"/> INCH | <input checked="" type="checkbox"/> mm ONLY | REVISE ON CAD ONLY |
| DRAWN BY & DATE H.SHIMABUKURO 04/3/19 | | TITLE: -LEAD FREE- 0.8 PITCH WIRE TO BOARD CONNECTOR | | | | |
| CHECKED BY & DATE K.TOJO 04/3/19 | | MOLEX MOLEX INCORPORATED | | | | |
| APPROVED BY & DATE M.SASAO 04/3/19 | | MATERIAL NO. | DRAWING NO. | SHEET NO. | | |
| CAD FILENAME 55218004.S02 | | SEE CHART | SD-55218-004 | 2 | | |
| THIS DRAWING CONTAINS INFORMATION THAT IS PROPRIETARY TO MOLEX INCORPORATED AND SHOULD NOT BE USED WITHOUT WRITTEN PERMISSION. | | | | | | |
| | | | | | SIZE B | |

SD-55218-004.S02