



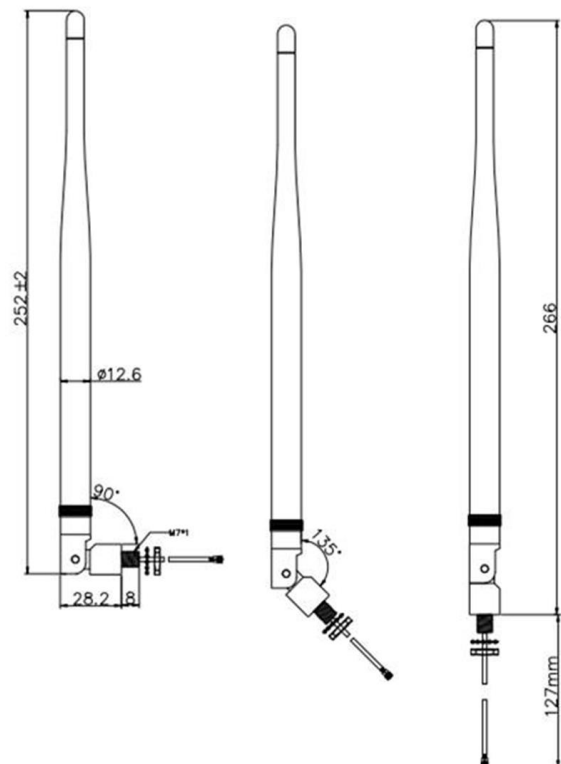
Key Specifications - Electrical

Operating temperature:	-45 to +75°C
Storage temperature:	-45 to +75°C
Impedance:	50 ohm
Gain:	5dBi
VSWR:	≤ 2
Frequency:	850/900/1800/1900/2100MHz
Max input power:	50W
Polarization:	Vertical

Key Specifications - Mechanical

Antenna length:	266mm
Cable type:	RG178
Cable length:	10, 30, 50cm
Connector:	SMA/SMB/BNC/FME/TNC
Mounting:	Screw (thread size: M7*1)

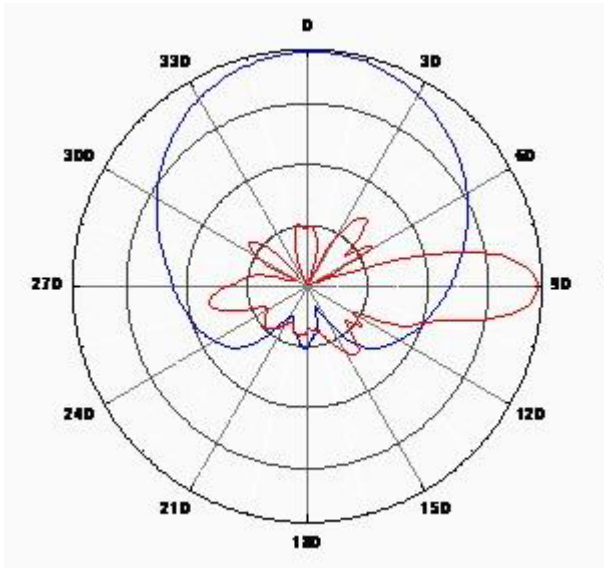
Dimensions



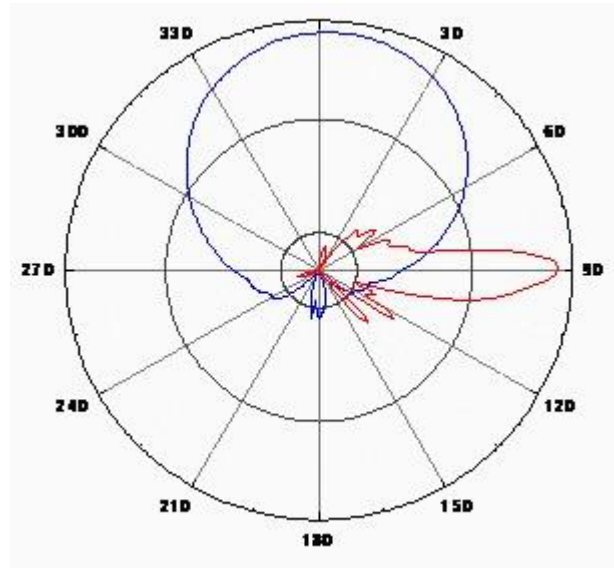
Rev 1.0

Test Results

824 - 960MHz



1710 - 1880MHz



1920 - 2170MHz

