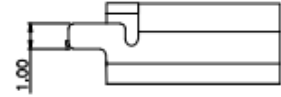
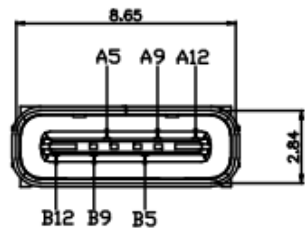
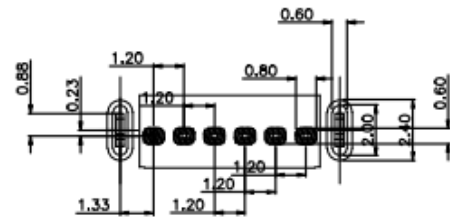
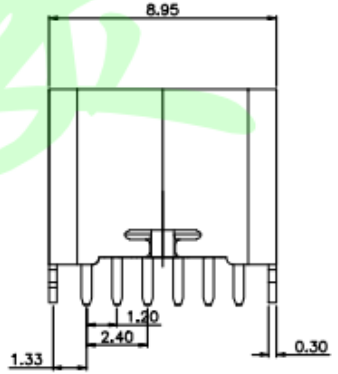
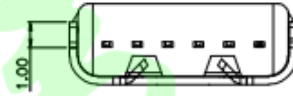
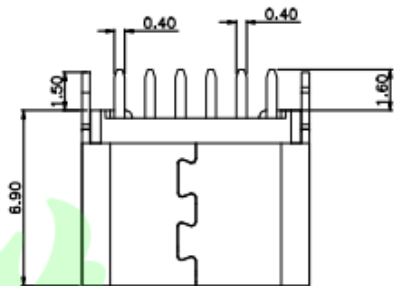


REV.	A	DATE	2019-04-24
AO	新版发行	宋虹	



B12	GND
B9	VBUS
B5	CC2
A5	CC1
A9	VBUS
A12	GND
PIN	SIGNAL NAME



NOTES:

- MATERIAL:
 - MOLDING: LCP UL94 V-0
 - CONTACT: COPPER ALLOY.
 - GOLD PLATED Min ON CONTACT AREA, 100u"
 - Min TIN (LEAD FREE) ON SOLDER AREA,
 - SHELL: SUS201-H,T=0.30±0.03mm
 - 50u" NICKEL PLATING OVER ALL.
- MECHANICAL:
 - INSERTION: 5~20N.
 - EXTRACTION: 8~20N AFTER TEST.
 - DURABILITY: 5000 CYCLES
- ELECTRICAL:
 - CURRENT: 3A FOR VBUS;
 - 1.25A FOR GND PIN.
 - 0.25A FOR OTHER.
 - VOLTAGE: 20 V MAX
 - WITHSTANDING VOLTAGE: 100V AC R.M.S.
 - CONTACT RESISTANCE: 40mΩ MAX.
 - INSULATION RESISTANCE: 100MΩ MIN.
- ENVIRONMENTAL
 - TEMPERATURE RANGE -25°C ~ +85°C
- 尺寸标注事项:
图中有标注者为首样全检,重点管控尺寸.
- 产品符合RoHS标准

东莞市美韩电子科技有限公司
Dongguan Usakro Electronic Technology Co., Ltd.

.X: ±0.35	.X': ±1.5'	TITL: TYPE C 6PIN PLUG 简易版立插6.9
.XX: ±0.25	.XX': ±1.0'	
.XXX: ±0.20	.XXX': ±0.5'	PART NO.: SEE TABLE
MAT'L: SEE NOTES	FINISH:	DRW. NO.: TYPE-C-6M-010-069
DR: Len.Song	SCALE: 1:1	PAGE: 1/1
		REV.: A1